



MODULAR RACKING BASE CUPBOARD UNIT 580MM

MODEL NO: **APMRB3**

Thank you for purchasing a Sealey product. Manufactured to a high standard, this product will, if used according to these instructions, and properly maintained, give you years of trouble free performance.

IMPORTANT: PLEASE READ THESE INSTRUCTIONS CAREFULLY. NOTE THE SAFE OPERATIONAL REQUIREMENTS, WARNINGS & CAUTIONS. USE THE PRODUCT CORRECTLY AND WITH CARE FOR THE PURPOSE FOR WHICH IT IS INTENDED. FAILURE TO DO SO MAY CAUSE DAMAGE AND/OR PERSONAL INJURY AND WILL INVALIDATE THE WARRANTY. KEEP THESE INSTRUCTIONS SAFE FOR FUTURE USE.



Refer to instructions



Wear eye protection

1. SAFETY

- WARNING!** Ensure Health & Safety, local authority, and general workshop practice regulations are adhered to when using this product.
- Locate product in a suitable working area.
- Keep the work area clean, uncluttered and ensure there is adequate lighting.
- WARNING!** Use product on level and solid ground, preferably concrete. Avoid tarmac since the product may sink into the surface.
- Keep the product clean and tidy in accordance with good workshop practice.
- Keep children and unauthorised persons away from the working area.
- DO NOT** use the product for any purpose other than that for which it is designed.
- DO NOT** exceed maximum capacity of product.
- DO NOT** undertake work on the product without the work piece being adequately secured. Use clamps or a vice (not included) to secure the work piece. Available from your Sealey stockist.
- DO NOT** use the product out of doors.
- DO NOT** get the product wet or use in damp or wet locations or areas where there is condensation.
- DO NOT** clean the product with any solvents which may damage the paint surface or the protective coating.

2. INTRODUCTION

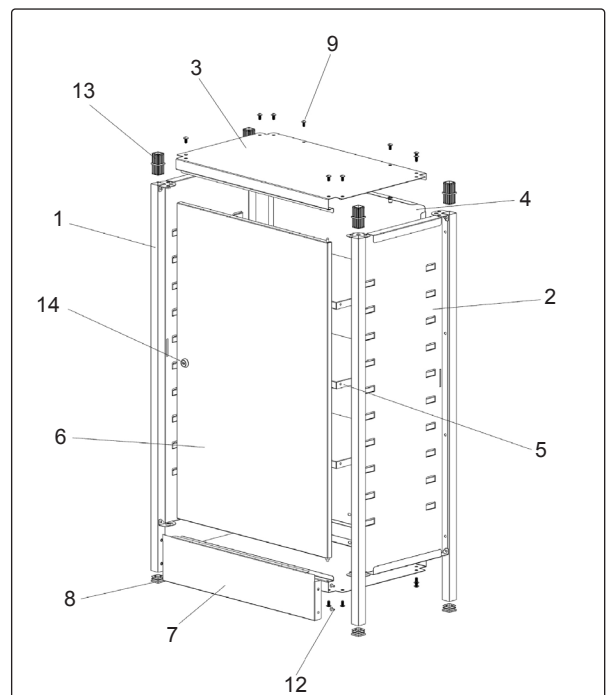
The Sealey modular racking system is finished with a heavy-duty textured powder coat to prevent against rusting. Simply choose your base, middle and top units and push together using nylon connectors to create versatile storage for the workshop, garage, home or office. All drawers have ball-bearing drawer slides for smooth operation and cupboard doors are fitted with spring loaded hinges allowing them to be fitted the side that suits your environment. Buy individually (see specific model number for full specs) or as one of our pre-created combo's.

3. SPECIFICATION

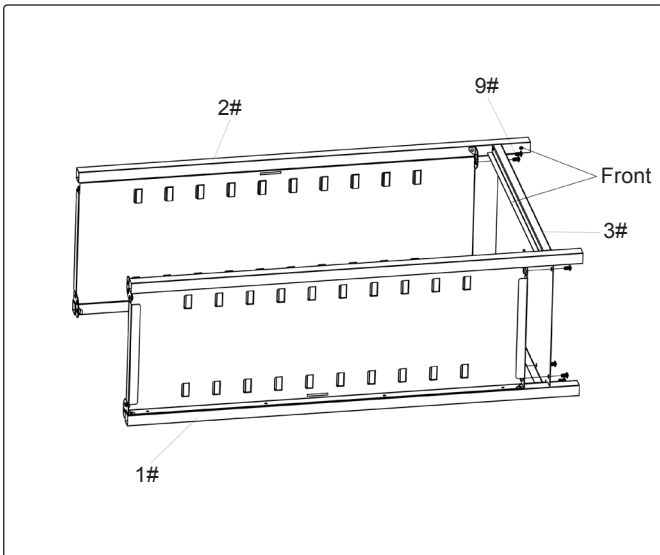
Model no:	APMRB3
Nett Weight:	20.1kg
Overall Size (W x D x H):	580 x 340 x 991mm
Shelves:	3

4. CONTENTS

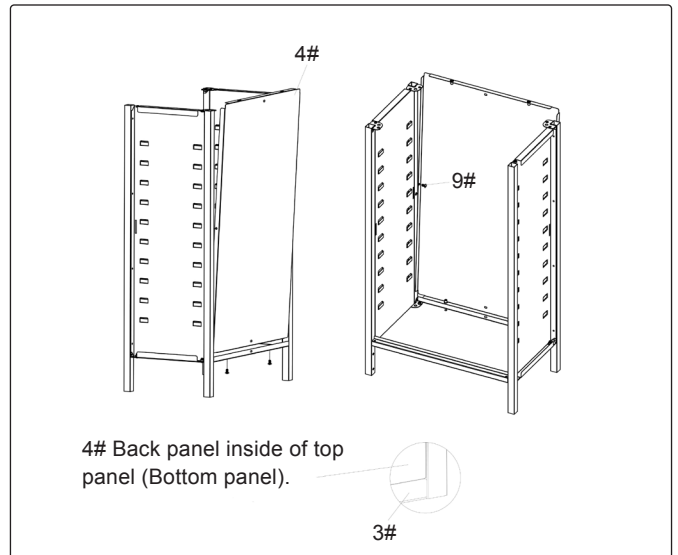
Item	Part	Description
1	APMRB3-01	Panel, Left Side
2	APMRB3-02	Panel, Right Side
3	APMRB3-03	Top Panel (Bottom Panel)
4	APMRB3-04	Back Panel
5	APMRB3-05	Shelf
6	APMRB3-06	Door
7	APMRB3-07	Skirting board
8	APMRB1-07	Plastic End Plug
9	MSP612.S	Machine Screw Pan Head Phillips M6 x 12mm
12	MSP410.S	Machine Screw Pan Head Phillips M4 x 10mm
13	APMRB1-11	Plastic Connector
14	APMRB3-14	Lock
--	APMRB1-09	Self-Tapping Screw ST4.8 x 30mm (Not Shown)
--	APMRB1-10	Expansion Plug M8 x 40mm (Not Shown)



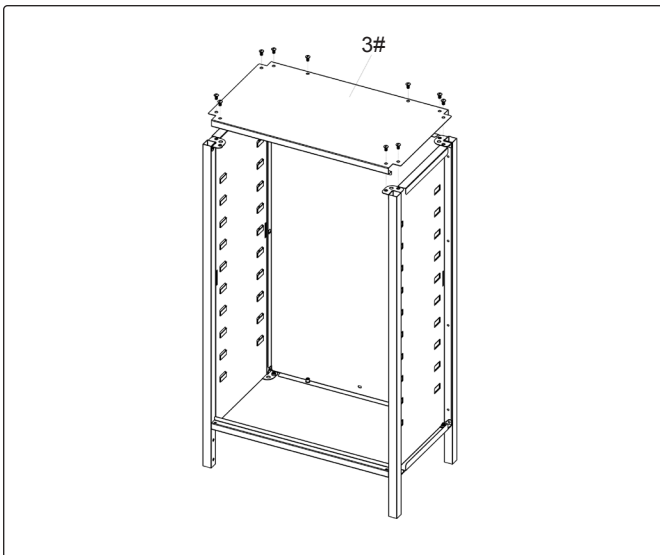
5. ASSEMBLY



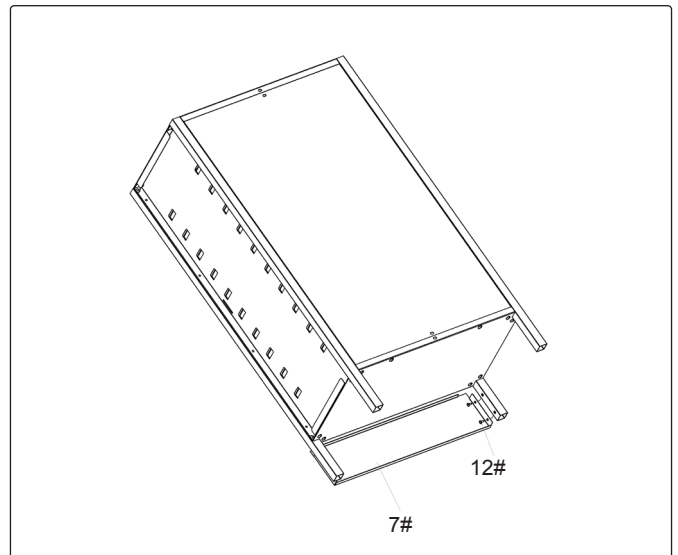
Step 1. Assemble the side panels, top panel, bottom panel, with screws M6*12 as shown.



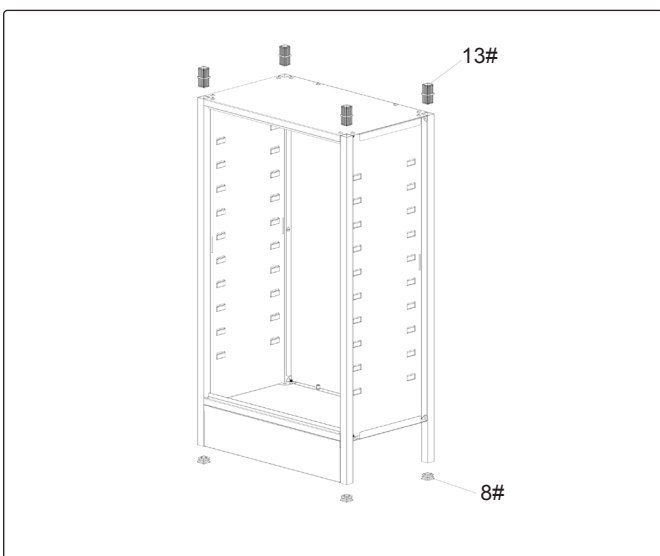
Step 2. Assemble the back panel with screws M6*12 as shown.



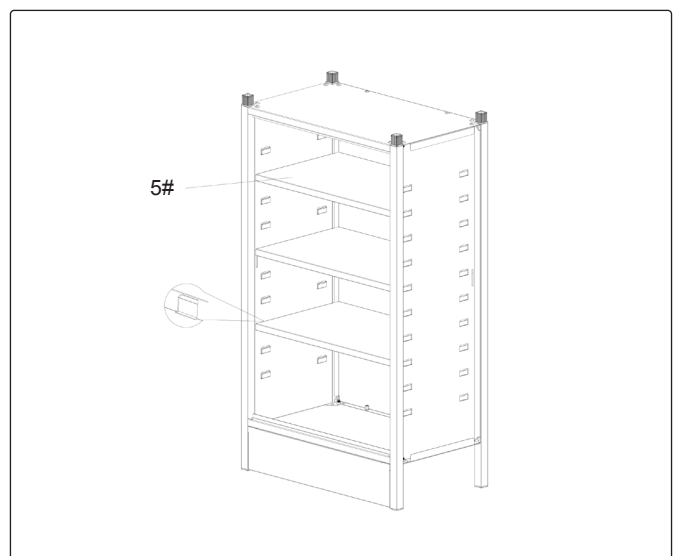
Step 3. Assemble the top panel, bottom panel, with screws M6*12.



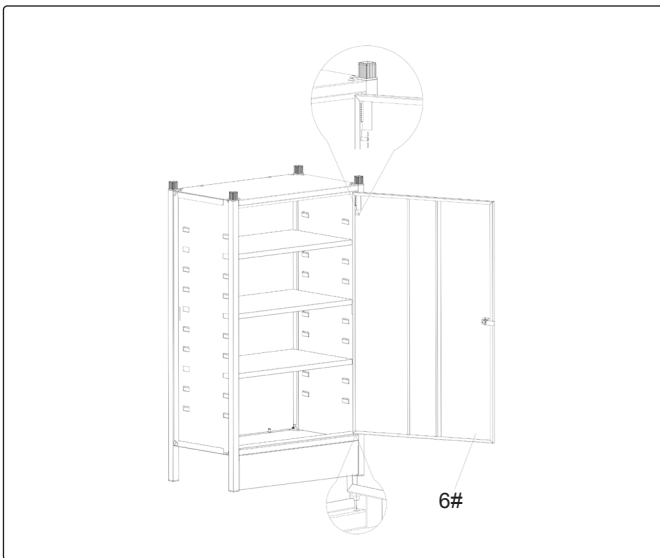
Step 4. Attach skirting board.



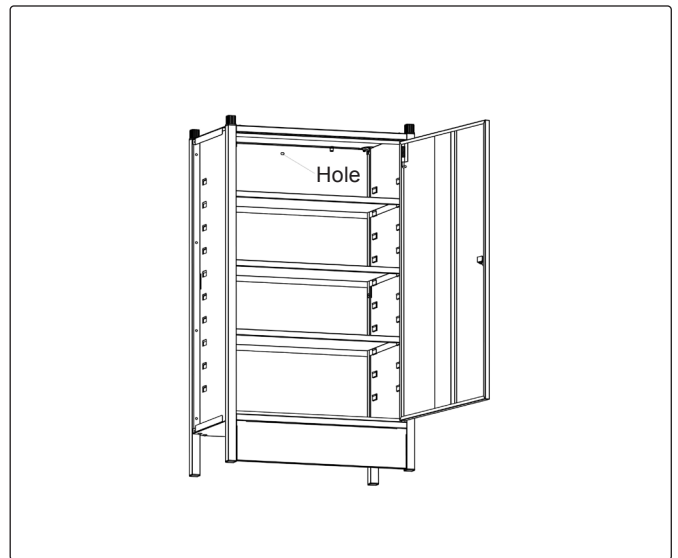
Step 5. Insert the plastic end plugs into the uprights.



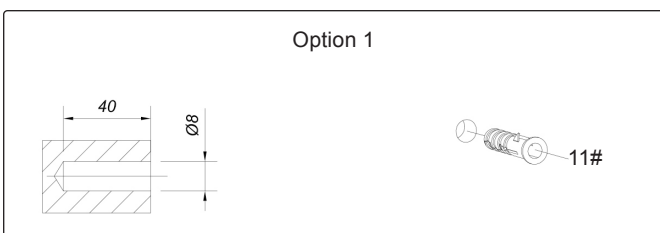
Step 6. Insert the shelves.



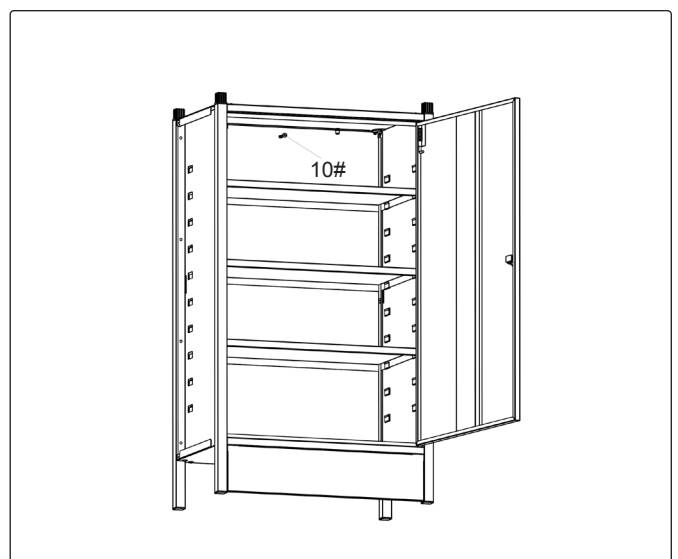
Step 7. Attach the door.



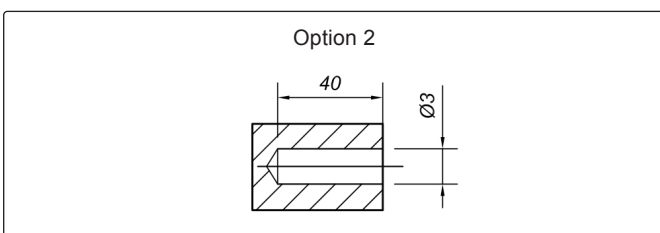
Step 8. To fix to the wall. Mark the wall before drilling the hole using the back panel as a template.



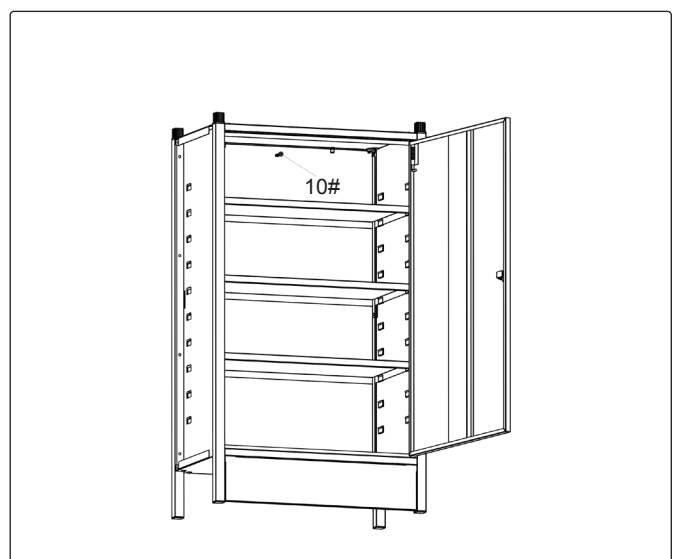
Step 9. After marking the wall. Drill a hole the size required, see the illustration. Insert wall plug 8*40.



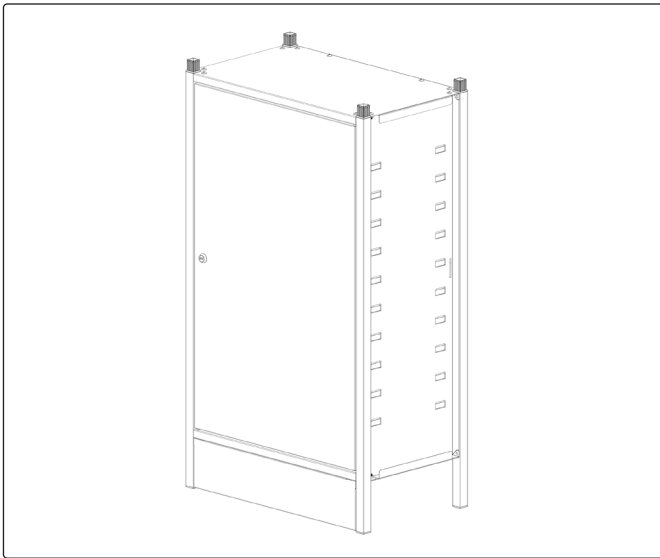
Step 10. Fix to the wall using self-tapping screw ST4.8*30.



Step 11. To fix the cabinet on to a wooden wall. Mark the wall before drilling. After the wall has been marked, drill a hole the correct size using the size guide in the above illustration.



Step 12. Fix to the wall using self-tapping screw ST4.8*30. Wall plug not required.



Step 13. Assembly completed.



ENVIRONMENT PROTECTION

Recycle unwanted materials instead of disposing of them as waste. All tools, accessories and packaging should be sorted, taken to a recycling centre and disposed of in a manner which is compatible with the environment. When the product becomes completely unserviceable and requires disposal, drain any fluids (if applicable) into approved containers and dispose of the product and fluids according to local regulations.



NOTE: It is our policy to continually improve products and as such we reserve the right to alter data, specifications and component parts without prior notice.

IMPORTANT: No Liability is accepted for incorrect use of this product.

WARRANTY: Guarantee is 12 months from purchase date, proof of which is required for any claim.

Sealey Group, Kempson Way, Suffolk Business Park, Bury St Edmunds, Suffolk. IP32 7AR



01284 757500



sales@sealey.co.uk



www.sealey.co.uk