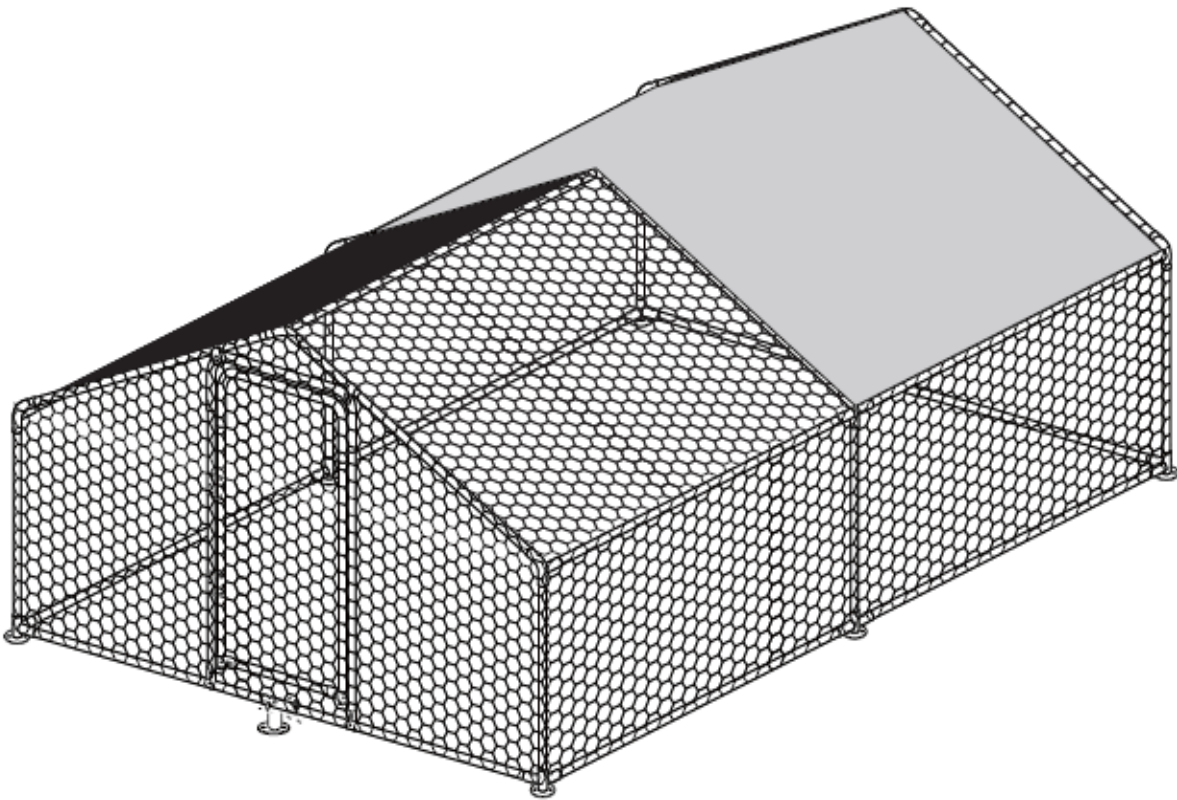




3 x 4 x 2m Walk-In Galvanized Steel Chicken Run with Roof Cover & PVC Coated Chicken Wire



Model No. DG279

Thank you for purchasing a Dellonda product. Manufactured to a high standard, this product will, if used according to these instructions, and properly maintained, give you years of trouble free performance.

Important Information

Please read these instructions carefully. Note the safe operational requirements, warnings & cautions. Use the product correctly and with care for the purpose for which it is intended. Failure to do so may cause damage and/or personal injury and will invalidate the warranty. Keep these instructions safe for future use.



Refer to
instruction
manual



Wear
Gloves

• Introduction

- Heavy-duty frame is quick and easy to build with spring loaded buttons and the roof cover attaches securely with toggles. Supplied with weatherproof **UV** resistant cover that protects pets from rain and provides shade. Manufactured from high quality rust resistant galvanized steel, suitable for all weather conditions. Lockable door makes feeding or cleaning the run easier by removing the risk of chickens escaping. **PVC** Coated steel wire ensures the run will remain secure against predators. Perfect for chickens, ducks, rabbits, dogs and more.

• Specification

- Model No.: **DG279**
- Nett Weight: 33kg
- Product Dimensions (W x D x H): 3 x 4 x 2m

• Contents

NOTE:

Place all parts from the packaging box in a cleared area and arrange them on the ground.

Remove all packaging materials and place them back in the box.

DO NOT dispose of the packaging materials until assembly is complete.

Check for completeness and transport damages.

WARNING! DO NOT place the product under trees from which hard fruit such as apples, walnuts or heavy pine cones, etc., may fall. The shed's cover only protects against normal leaves and light debris, whereas large branches or other falling items may puncture or tear the cover material.



1 x4pcs 1410mm pipe



3 x6pcs 970mm



D1 x1pcs 1640mm+1570mm



D3 x1pcs 820mm



D4 x1pcs 920mm



D6 x1pcs 510mm



2 x10pcs 1870mm



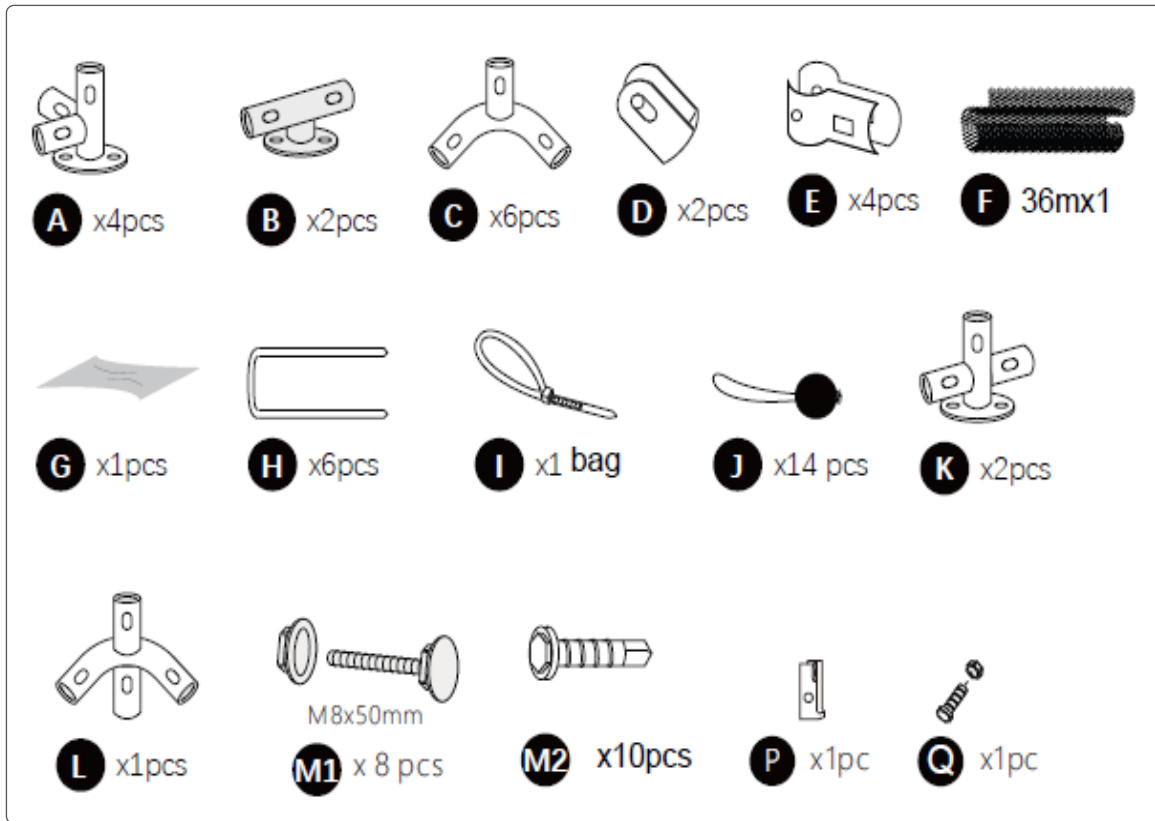
4 x6pcs 1480mm



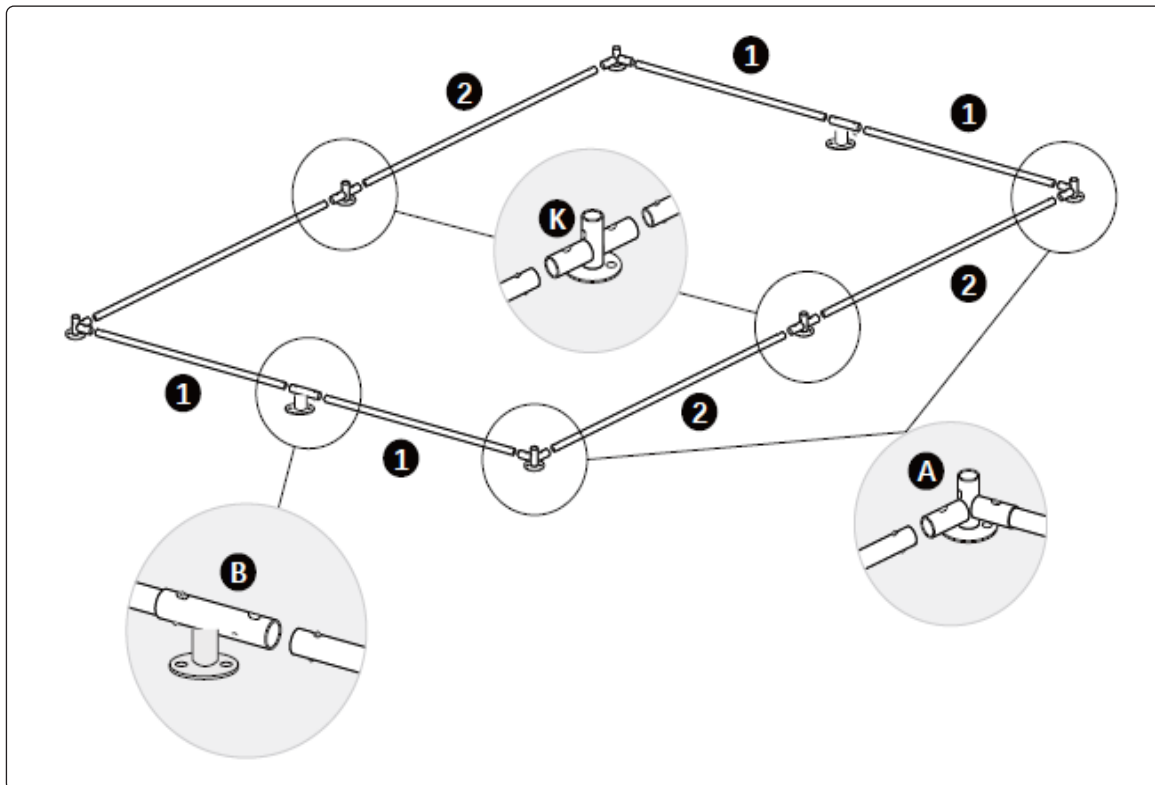
D2 x1pcs 1570mm



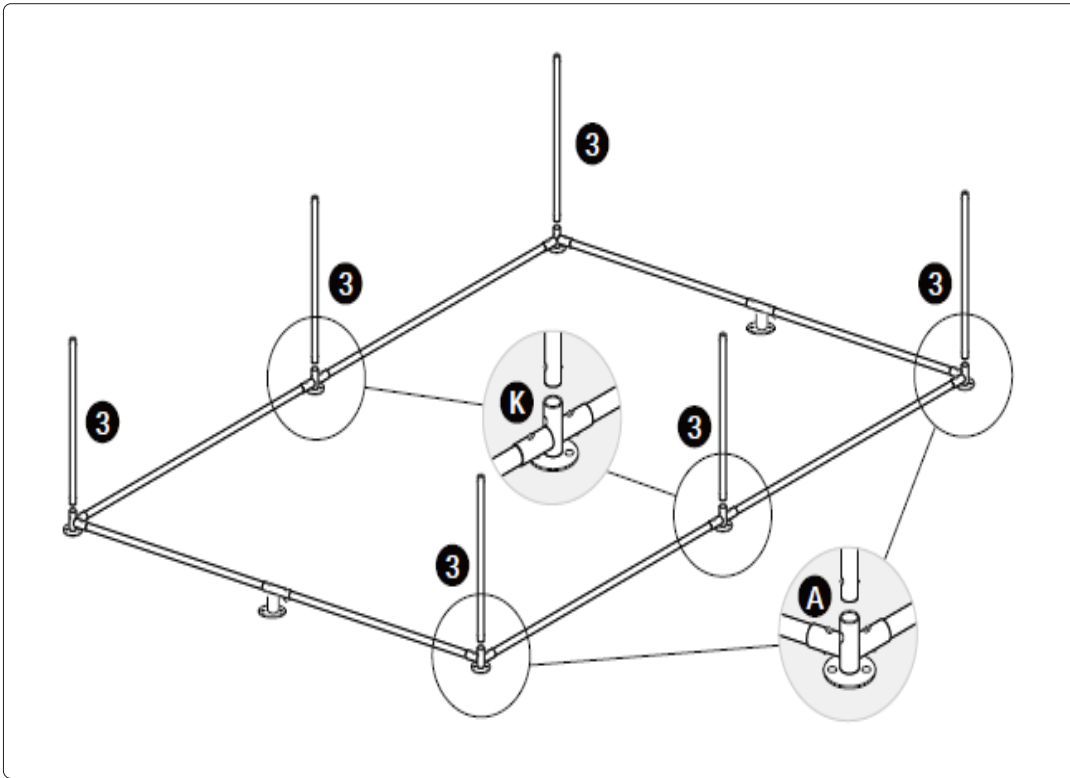
D5 x1pc 1645mm



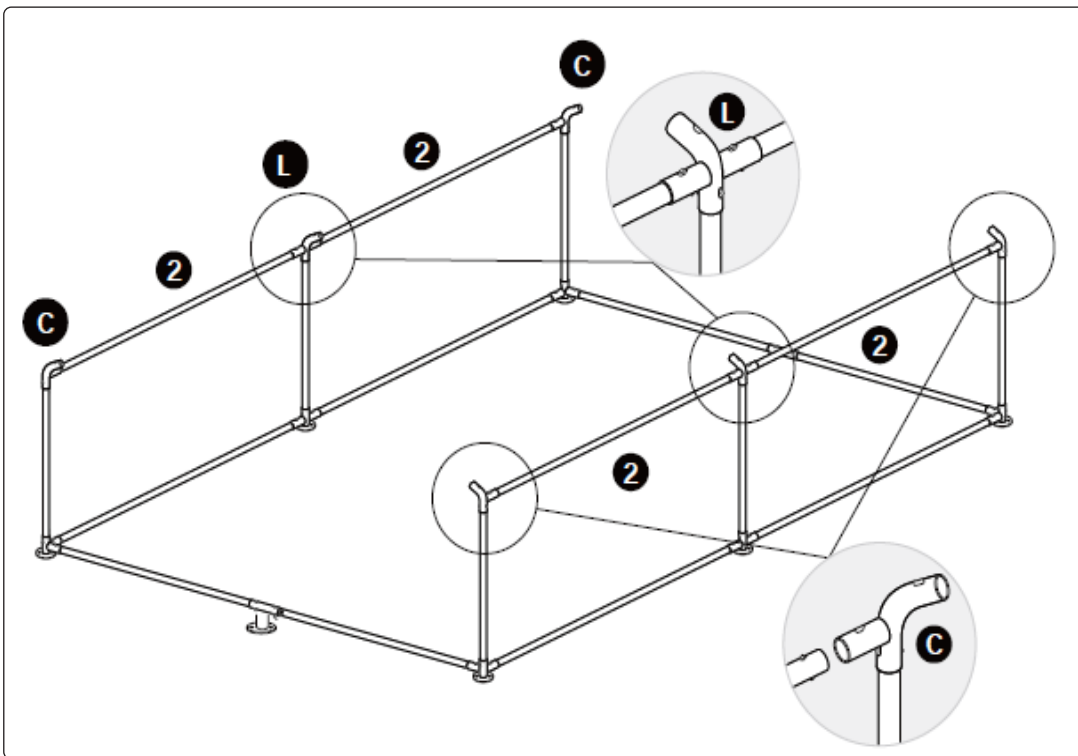
• **Assembly**



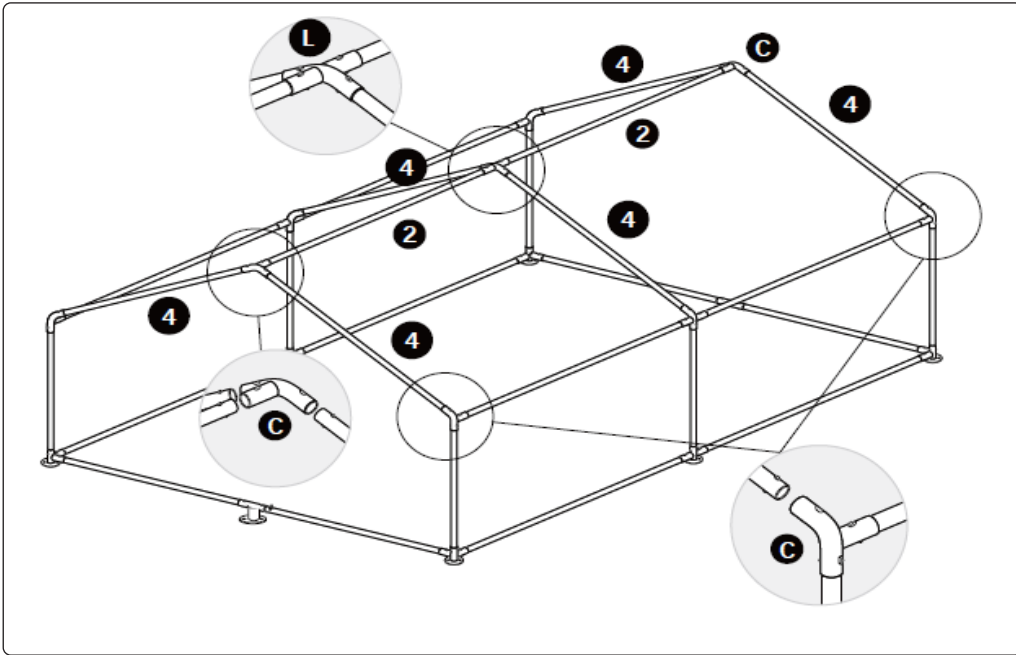
Building the base frame.



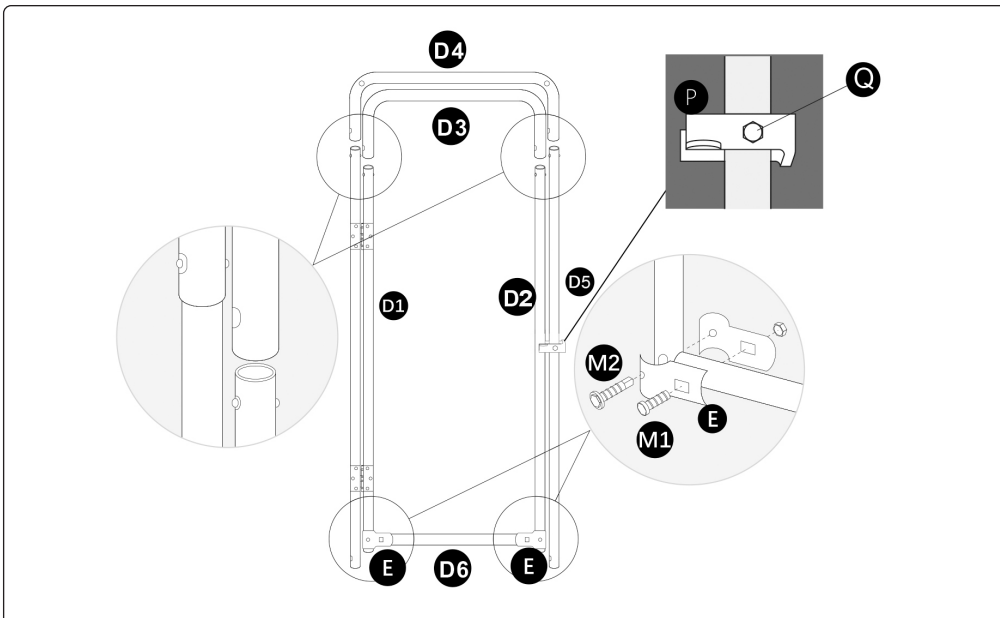
Connect tube no. 3 to base frame



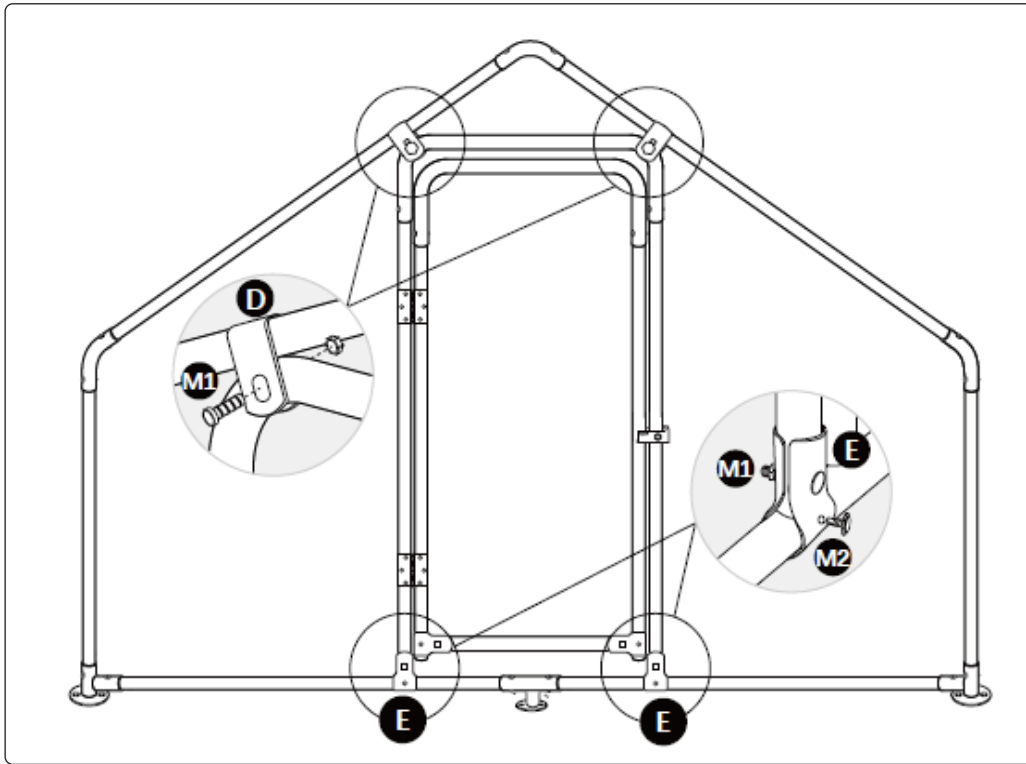
Building middle frame



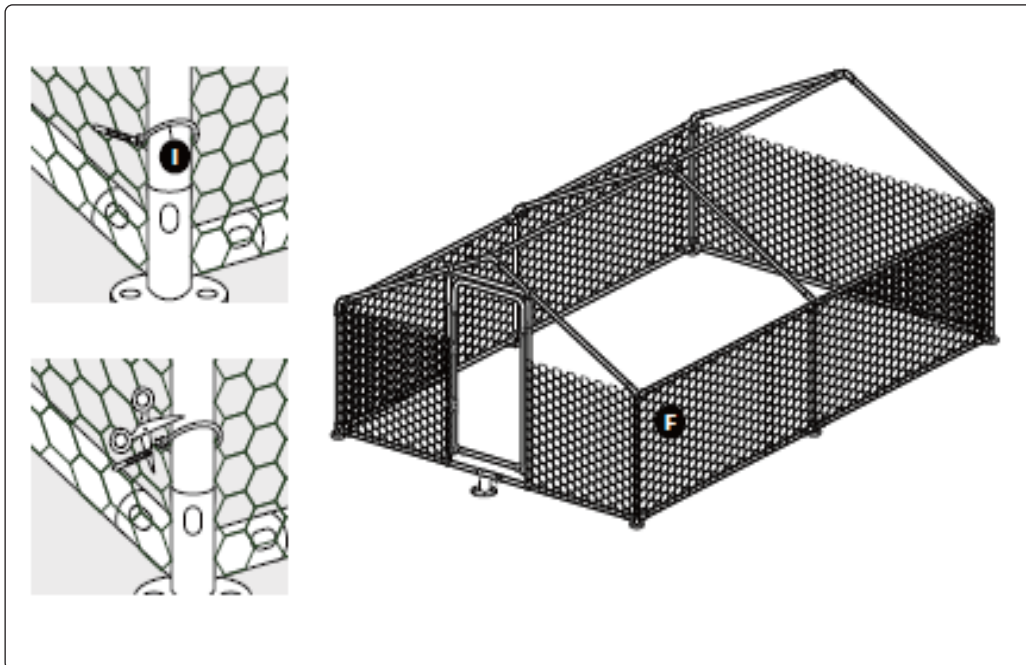
Building top frame



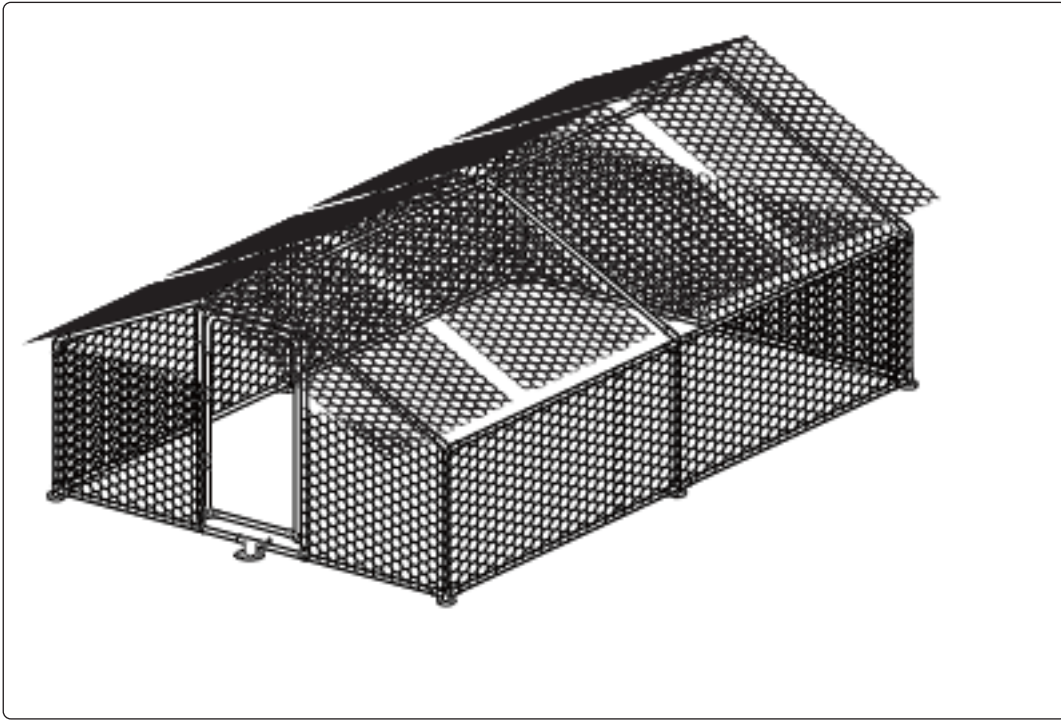
Building the door



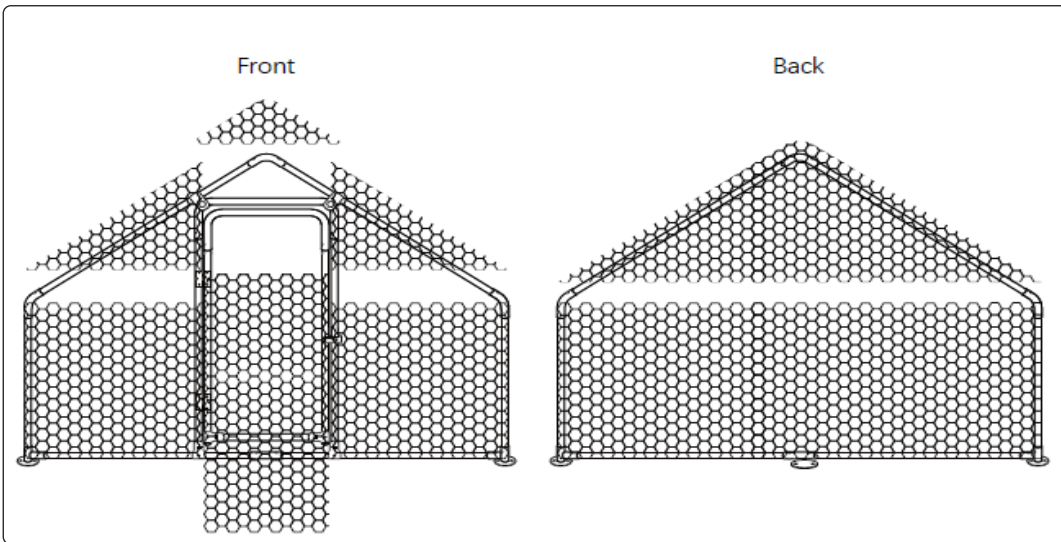
Mounting the door to frame



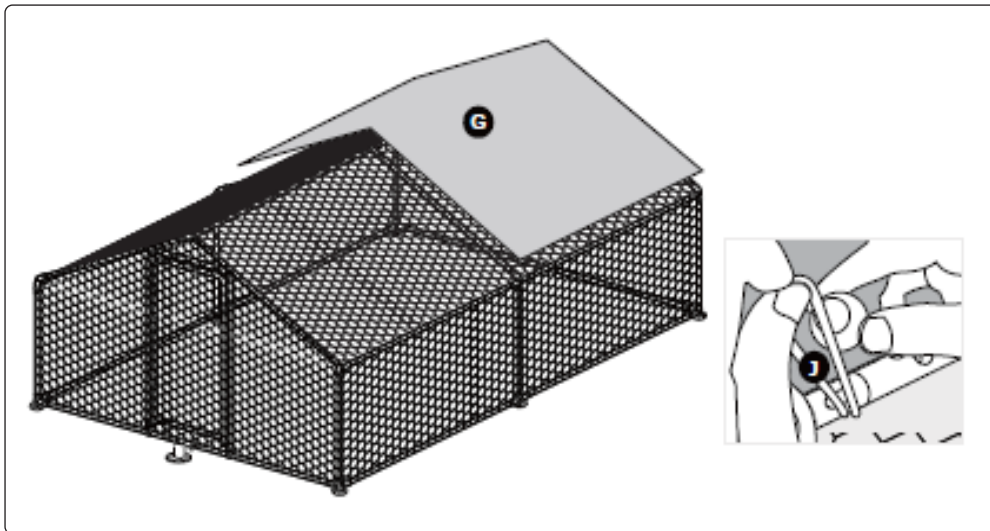
Fixing mesh in place



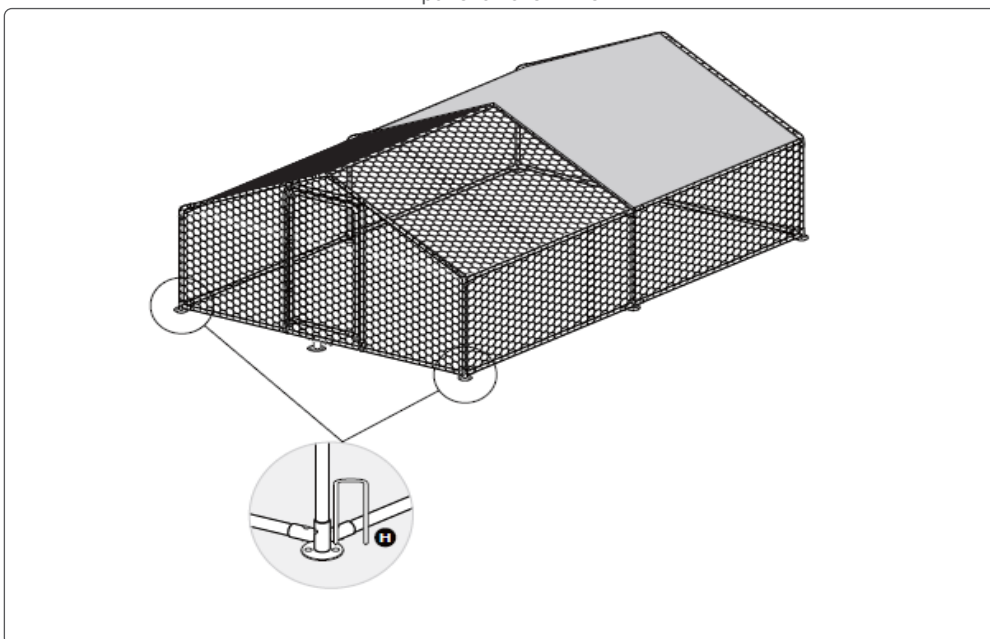
Fixing roof mesh in place



Fixing end meshes



Spread the tarpaulin (G) across the top frame, pull taut and fix it with bungees (O) to side panel chicken wire.



Insert the ground anchors (H) through the bottom frame into the ground to make the chicken run more stable and durable.

• Maintenance

- × **DO NOT** use bleach, alkaline or harsh detergents for cleaning. Doing so will damage the polyethylene material. Soap and warm water are recommended.



Environment Protection and Waste Protection and Electrical Equipment Regulations (WEEE)

Recycle unwanted packaging materials. When this product is no longer required, or has reached the end of its useful life, please dispose of it in an environmentally friendly way. Drain any fluids (if applicable) into approved containers, in accordance with local waste regulations. It is our policy to continually improve products and we reserve the right to alter data, specifications and parts without prior notice. No liability is accepted for incorrect use of this product. Guarantee is 12 months from purchase date, proof of which is required for any claim.



Dellonda Limited

Kempson Way, Suffolk Business Park, Bury St Edmunds, Suffolk. IP32 7AR

☎ 01284 757575 ✉ support@dellonda.co.uk 🌐 www.dellonda.co.uk