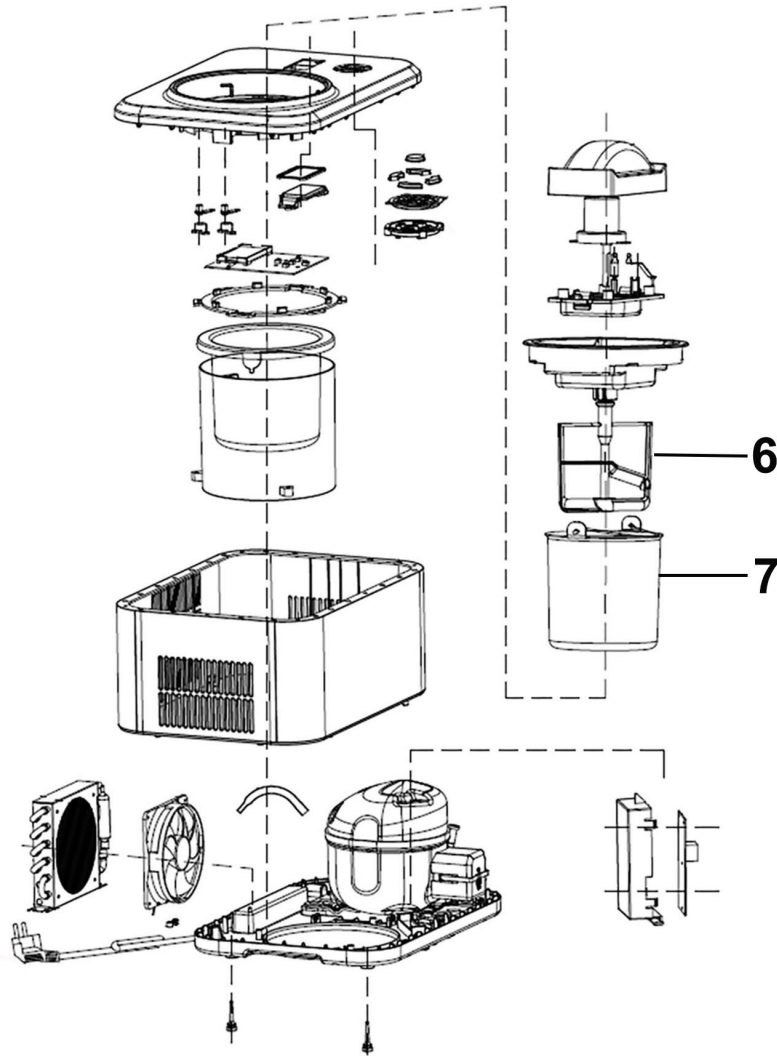


Parts Information:

Baridi 1.5L Automatic Churning Ice Cream Machine, Fast Freeze Compressor Cooling, Yoghurt Function

Model No: DH240



Item	Part No.	Description
6	DH10689	Mixing Blade

Item	Part No.	Description
7	DH10690	Ice Bucket

NOTE: It is our policy to continually improve products and as such we reserve the right to alter data, specifications and component parts without prior notice. There may be alternative versions of this product, please contact us should you require this information.

IMPORTANT: No liability is accepted for incorrect use of product. Spare parts must be fitted by a competent person

WARRANTY: Guarantee is 12 months from purchase date, proof of which will be required for any claim.

Dellonda Limited, Sole UK Distributor of Baridi

Kempson Way, Suffolk Business Park, Bury St Edmunds, Suffolk. IP32 7AR

☎ 01284 757575 ✉ support@dellonda.co.uk 🌐 www.dellonda.co.uk