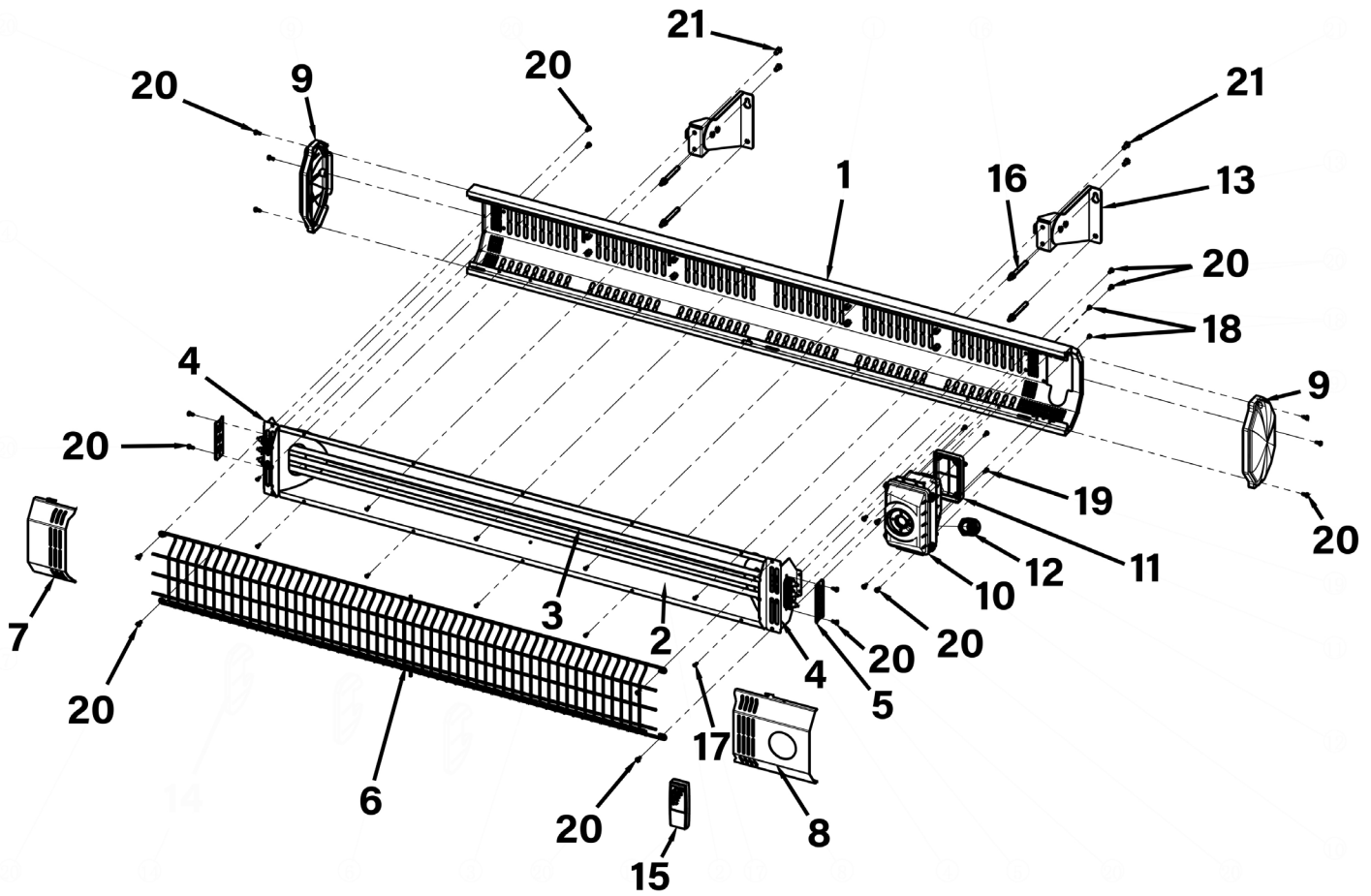


Parts Information:
**High Efficiency Wall Mounting Infrared
 Short Wave Heater 6000W**
Model No: IWMH6000R



Item	Part No.	Description	Qty
1	IWMH6000R-01	Main Housing	1
2	IWMH6000R-02	Reflector Plate	1
3	IWMH6000R-03	Heating Element	3
4	IWMH6000R-04	Heating Element Bracket	2
5	IWMH6000R-05	Heating Element Fixed Plate	2
6	IWMH6000R-06	Front Grille	1
7	IWMH6000R-07	Front Cover (Left Side - Small)	1
8	IWMH6000R-08	Front Cover (Right Side - Large)	1
9	IWMH6000R-09	Side Cover	2
10	IWMH6000R-10	Electrical Box Assembly	1
11	IWMH6000R-11	Electrical Box Rear Cover	1

Item	Part No.	Description	Qty
12	IWMH6000R-12	Cable Gland M25 x 1.5	1
13	IWMH6000R-13	Wall Bracket	2
15	IWMH6000R-15	Remote Control	1
16	IWMH6000R-16	Screw M6 x 80 (for Main Housing)	4
17	IWMH6000R-17	Rivet 3.2 x 8	10
18	IWMH6000R-18	Pan Head Flat Tapping Screw ST3.5 x 10	12
19	IWMH6000R-19	Pan Head Tapping Screw ST3.5 x 14	4
20	IWMH6000R-20	Pan Head Tapping Screw M4 x 10	22
21	IWMH6000R-21	Csk Socket Head Cap Screw M6 x 12	4

NOTE: It is our policy to continually improve products and as such we reserve the right to alter data, specifications and component parts without prior notice. There may be alternative versions of this product, please contact us should you require this information.

IMPORTANT: No liability is accepted for incorrect use of product. Spare parts must be fitted by a competent person

WARRANTY: Guarantee is 12 months from purchase date, proof of which will be required for any claim.