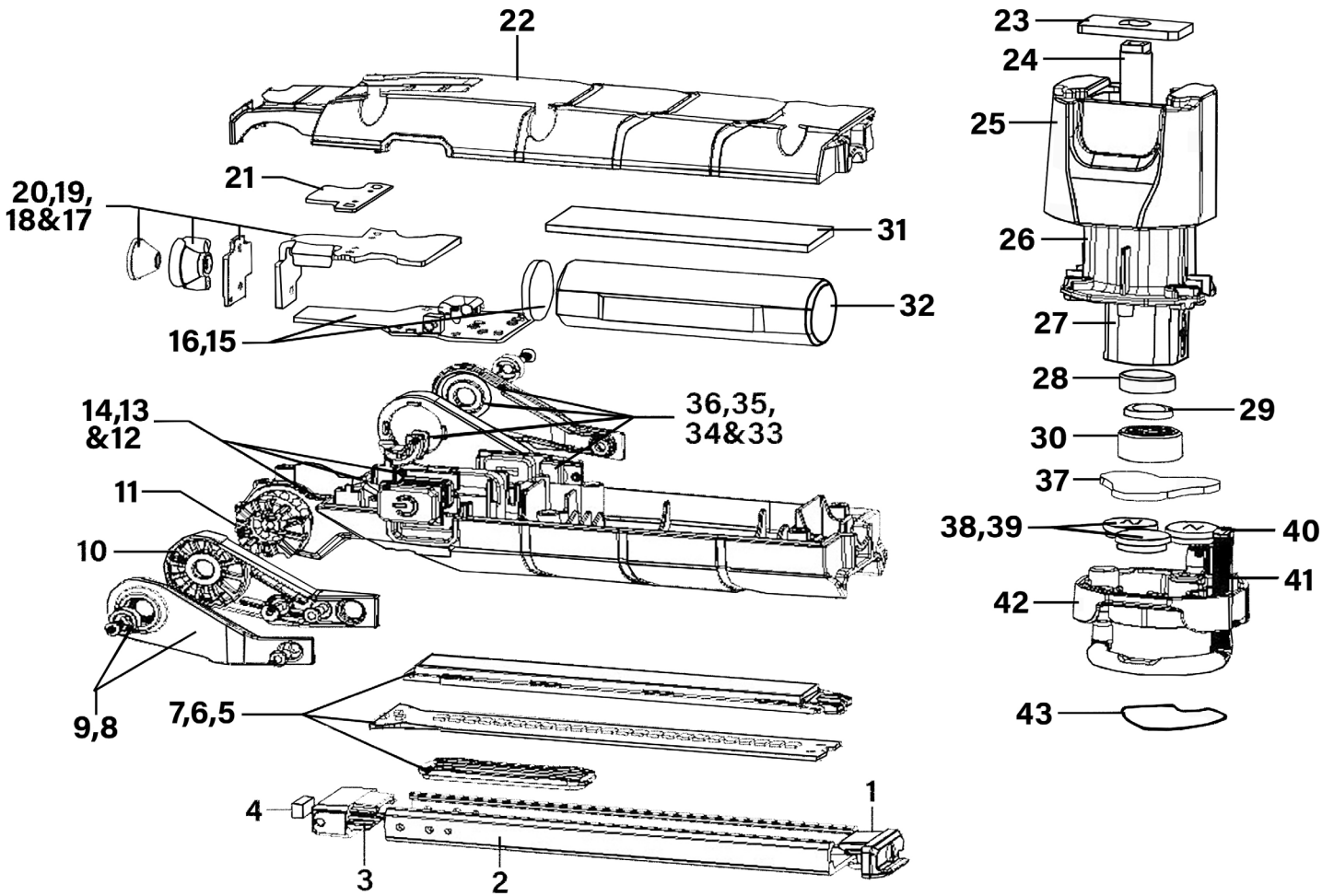


Parts Information:  
**Rechargeable 360° Inspection Light 10W &  
 2 x 4W SMD LED**  
**Model No: LED3605 SERIES**



Item	Part No.	Description
1	LED3605R-01	Top LED Housing
2	LED3605R-02	Aluminium Housing
3	LED3605R-03	Rotating Joint (Left)
4	LED3605R-04	Magnet (A)
5	LED3605R-05	LED Lens (Outer)
6	LED3605R-06	10W LED
7	LED3605R-07	LED Lens (Inner)
8	LED3605R-08	Rotating Cover (Left)
9	LED3605R-09	Rotating Fixed Seat
10	LED3605R-10	Rotating Part (Left)
11	LED3605R-11	Gear Holder
12	LED3605R-12	Housing, Left Side <b>(Red)(LED3605R ONLY)</b>
12	LED3605G-12	Housing, Left Side <b>(Green)(LED3605G ONLY)</b>
12	LED3605GR-12	Housing, Left Side <b>(Grey)(LED3605GR ONLY)</b>

Item	Part No.	Description
13	LED3605R-13	Switch Cap
14	LED3605R-14	Switch Cap Plate
15	LED3605R-15	PCB
16	LED3605R-16	EVA Foam Ø17 x 2mm
17	LED3605R-17	Cooling Plate (A)
18	LED3605R-18	Head LED PCB
19	LED3601.08	Head LED Cover
20	LED3601.17	Head LED Lens
21	LED3605R-21	Cooling Plate (B)
22	LED3605R-22	Housing, Right Side <b>(Red)(LED3605R ONLY)</b>
22	LED3605G-22	Housing, Right Side <b>(Green)(LED3605G ONLY)</b>
22	LED3605GR-22	Housing, Right Side <b>(Grey)(LED3605GR ONLY)</b>

**NOTE:** It is our policy to continually improve products and as such we reserve the right to alter data, specifications and component parts without prior notice. There may be alternative versions of this product, please contact us should you require this information.

**IMPORTANT:** No liability is accepted for incorrect use of product. Spare parts must be fitted by a competent person

**WARRANTY:** Guarantee is 12 months from purchase date, proof of which will be required for any claim.



Parts Information:  
Rechargeable 360° Inspection Light 10W &  
2 x 4W SMD LED  
Model No: LED3605 SERIES

Item	Part No.	Description
23	LED3601.07	Pivot Plate
24	LED3601.23	Pivot
25	LED3605R-25	Handle (Red))(LED3605R ONLY)
25	LED3605G-25	Handle (Green)(LED3605G ONLY)
25	LED3605GR-25	Handle (Grey)(LED3605GR ONLY)
26	LED3605R-26	Ball Housing (Large)
27	LED3605R-27	Ball Housing (Small)
28	LED3601.13	Pivot Protection Cap
29	LED3601.24	Wave Spring
30	LED3605R-30	Bottom Ball Plate
31	LED3605R-31	EVA Foam Ø65 x 20 x 2mm
32	LED3604.30	Battery, 3.7v, 2.6ah/9.6wh (Li-Ion)(H:65 W:19)

Item	Part No.	Description
33	LED3605R-33	Rotating Cover (Right)
34	LED3605R-34	Rotating Joint (Right)
35	LED3605R-35	Charging Socket Cover
36	LED3605R-36	Rotating Part (Right)
37	LED3605R-37	Magnet Base
38	LED3605R-38	Magnet (B)
39	LED3605R-39	Magnet (C)
40	LED3605R-40	Hook Support
41	LED3605R-41	Nylon Hook
42	LED3605R-42	Handle Base
43	LED3605R-43	Sticker

**NOTE:** It is our policy to continually improve products and as such we reserve the right to alter data, specifications and component parts without prior notice. There may be alternative versions of this product, please contact us should you require this information.

**IMPORTANT:** No liability is accepted for incorrect use of product. Spare parts must be fitted by a competent person

**WARRANTY:** Guarantee is 12 months from purchase date, proof of which will be required for any claim.

Sealey Group, Kempson Way, Suffolk Business Park, Bury St Edmunds, Suffolk. IP32 7AR



01284 757500



sales@sealey.co.uk



www.sealey.co.uk