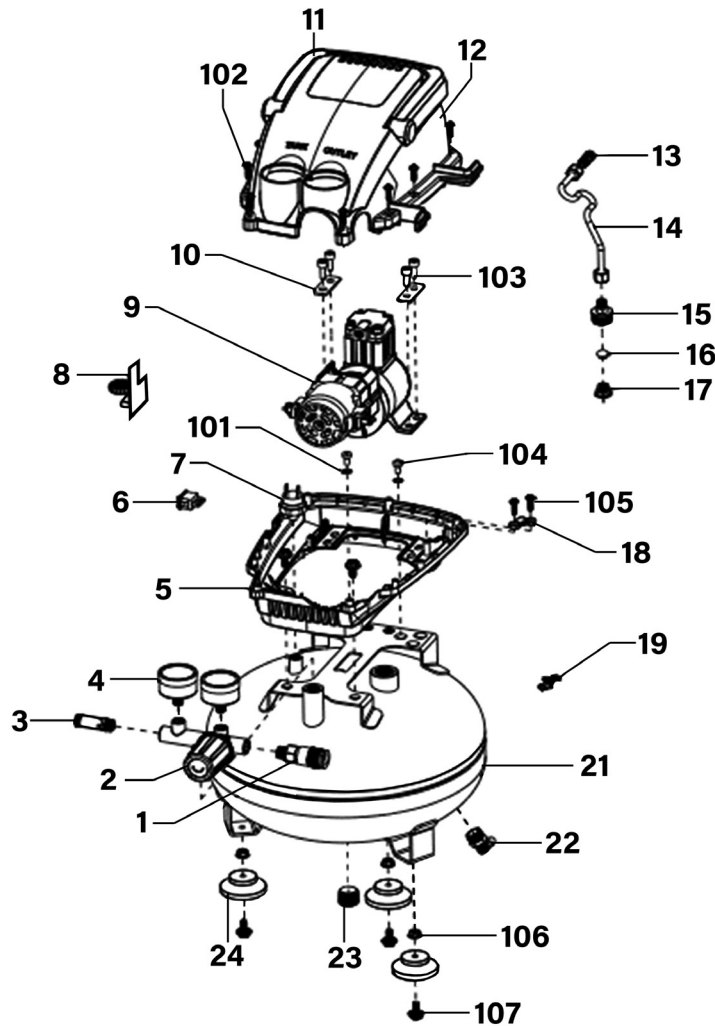


Parts Information:  
**Oil Free Air Compressor 11L Direct Drive  
 0.5h**  
**Model No: SAC1100**



Item	Part No.	Description	Qty
1	SAC1100-01	Quick Connector	1
2	SAC1100-02	Pressure Regulating Valve	1
3	SAC1100-03	Safety Valve	1
4	SAC1100-04	Pressure Gauge	2
5	SAC1100-05	Lower Plastic Cover	1
6	SAC1100-06	Power Switch	1
7	SAC1100-07	Pressure Switch	1
8	SAC1100-08	EMC Circuit Board	1
9	SAC1100-09	Motor Pump Head Assembly	1
10	SAC1100-10	Protecting Pad	2
11	SAC1100-11	Handle	1
12	SAC1100-12	Upper Plastic Cover	1
13	SAC1100-13	Straight Joint	1
14	SAC1100-14	Aluminum Tube	1
15	SAC1100-15	Straight Joint	1
16	SAC1100-16	Check Valve Plug	1

Item	Part No.	Description	Qty
17	SAC1100-17	Check Valve Spring	1
18	SAC1100-18	Cable Grip	1
19	SAC1100-19	Cable Clip	1
21	SAC1100-21	Tank Assembly	1
22	SAC1100-22	Drain Valve	1
23	SAC1100-23	Plastic End Plug	1
24	SAC1100-24	Foot	3
101	SAC1100-101	Star Washer M4	2
102	SAC1100-102	Self-Tapping Screw ST3.9 x 14-F	9
103	SCB616.S	Socket Cap Bolt M6 x 16mm	4
104	MSP510.S	Machine Screw Pan Head Phillips M5 x10mm	2
105	SAC1100-105	Self-Tapping Screw ST3.9 x 16-F	2
106	FN6.S	Flange Nut Serrated M6 Zinc	3
107	MSP614.S	Machine Screw Pan Head Phillips M6 X 14mm	5

**NOTE:** It is our policy to continually improve products and as such we reserve the right to alter data, specifications and component parts without prior notice. There may be alternative versions of this product, please contact us should you require this information.

**IMPORTANT:** No liability is accepted for incorrect use of product. Spare parts must be fitted by a competent person

**WARRANTY:** Guarantee is 12 months from purchase date, proof of which will be required for any claim.