

Issue: 1
 Issue Date: 050809

ITEM	PART NO	DESCRIPTION	ITEM	PART NO	DESCRIPTION
1	EWP050.01	ENGINE	22	EWP050.22	O-RING
2	EWP050.02	PIPE CLAMP	23	EWP050.23	PLUG PACKING
3	EWP050.03	FUEL PIPE	24	EWP050.24	RUBBER WASHER
4	EWP050.04	CONNECTOR	25	EWP050.25	BOLT M8X25
5	EWP050.05	FUEL TANK CAP	26	EWP050.26	OUTLET FLANGE
6	EWP050.06	FILTER CUP	27	EWP050.27	RUBBER WASHER
7	EWP050.07	FLANGE BOLT M6X25	28	EWP050.28	PIPE JOINT
8	EWP050.08	FUEL TANK	29	EWP050.29	JOINT GRIP
9	EWP050.09	PUMP COVER	30	EWP050.30	CHECK VALVE
10	EWP050.10	WASHER M8	31	EWP050.31	INLET FLANGE
11	EWP050.11	RUBBER WASHER	32	EWP050.32	FILTER NET
12	EWP050.12	INNER HEX BOLT M8X60	33	EWP050.33	REAR HOUSING
13+14	EWP050.13+14	MECHANICAL SEALS	34	EWP050.34	FRAME
15	EWP050.15	O-RING	35	EWP050.35	SHOCK ABSORBER
16	EWP050.16	WATER PUMP IMPELLER	36	EWP050.36	SCREW M6X14
17	EWP050.17	VOLUTE CASING	37	EWP050.37	SHOCK ABSORBER
18	EWP050.18	RUBBER BUSHING	38	EWP050.38	FLANGE NUT M6
19	EWP050.19	PUMP HOUSING	39	EWP050.39	FLANGE BOLT M8X35
20	EWP050.20	SPRING WASHER M8	40	EWP050.40	FLANGE NUT M8
21	EWP050.21	BOLT M8X30			

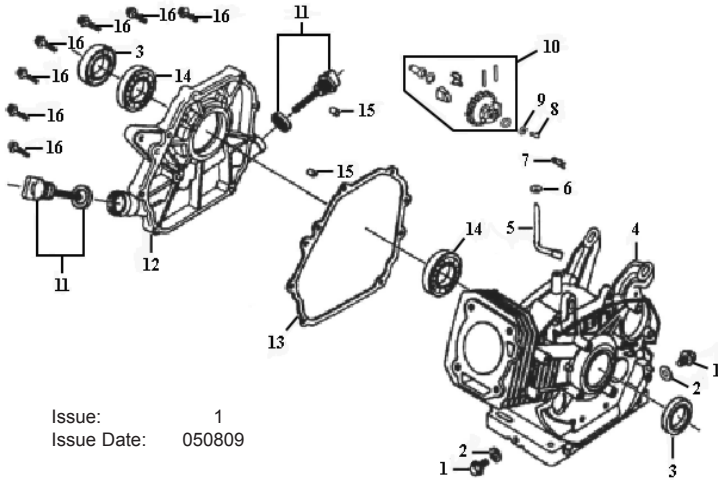
NOTE: It is our policy to continually improve products and as such we reserve the right to alter data, specifications and component parts without prior notice.

IMPORTANT: No liability is accepted for incorrect use of product.

WARRANTY: Guarantee is 12 months from purchase date, proof of which will be required for any claim.

INFORMATION: For a copy of our latest catalogue and promotions call us on 01284 757525 and leave your full name and address, including postcode.

CRANKCASE PARTS

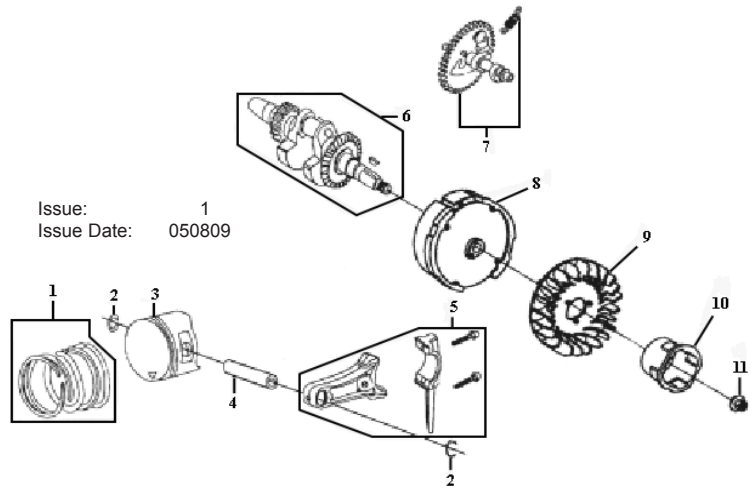


Issue: 1
 Issue Date: 050809

ITEM	PART NO	DESCRIPTION
1	EWP050.CC1	DRAIN PLUG
2	EWP050.CC2	WASHER, DRAIN PLUG
3	EWP050.CC3	OIL SEAL, CRANKSHAFT
4	EWP050.CC4	CRANKCASE
5	EWP050.CC5	REGULATING SWAY BAR
6	EWP050.CC6	WASHER
7	EWP050.CC7	SPLIT PIN
8	EWP050.CC8	REGULATING SHAFT
9	EWP050.CC9	SNAP RING
10	EWP050.CC10	DRIVEN GEAR ASS'Y
11	EWP050.CC11	DIPSTICK WITH SEAL
12	EWP050.CC12	CRANKCASE COVER
13	EWP050.CC13	GASKET, CRANKCASE
14	EWP050.CC14	BEARING
15	EWP050.CC15	SET PIN
16	EWP050.CC16	BOLT M8X33.5

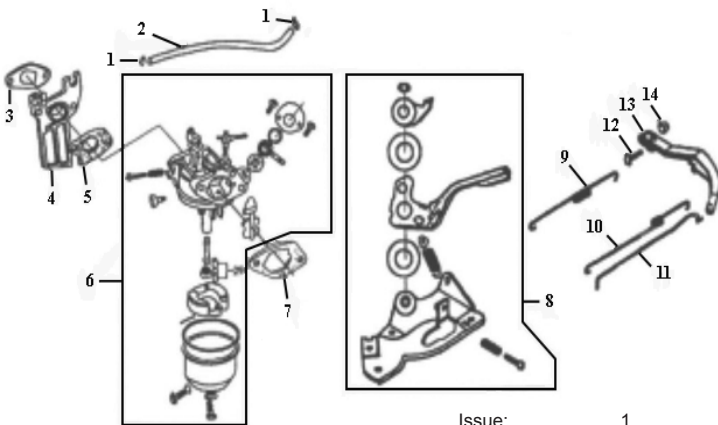
CRANKSHAFT / PISTON / CAMSHAFT FLYWHEEL ASS'Y PARTS

ITEM	PART NO	DESCRIPTION
1	EWP050.CS1	PISTON RING SET
2	EWP050.CS2	PISTON PIN CIRCLIP
3	EWP050.CS3	PISTON
4	EWP050.CS4	PISTON PIN
5	EWP050.CS5	CONNECT ROD ASS'Y
6	EWP050.CS6	CRANKSHAFT ASS'Y
7	EWP050.CS7	CAMSHAFT ASS'Y
8	EWP050.CS8	FLYWHEEL
9	EWP050.CS9	FLYWHEEL FAN
10	EWP050.CS10	STARTING FLANGE
11	EWP050.CS11	NUT M14X1.5



Issue: 1
 Issue Date: 050809

FUEL SUPPLY PARTS



Issue: 1
 Issue Date: 050809

ITEM	PART NO	DESCRIPTION
1	EWP050.FS1	PIPE CLAMP
2	EWP050.FS2	FUEL PIPE
3	EWP050.FS3	INLET GASKET
4	EWP050.FS4	CONNECTING BLOCK
5	EWP050.FS5	CARBURETTOR GASKET
6	EWP050.FS6	CARBURETTOR ASS'Y
7	EWP050.FS7	GASKET, AIR CLEANER
8	EWP050.FS8	REGULATING CONTROL ASS'Y
9	EWP050.FS9	BACK SPRING
10	EWP050.FS10	REGULATING SPRING
11	EWP050.FS11	PULLING ROD
12	EWP050.FS12	LOCK BOLT
13	EWP050.FS13	REGULATING ARM
14	EWP050.FS14	NUT M6

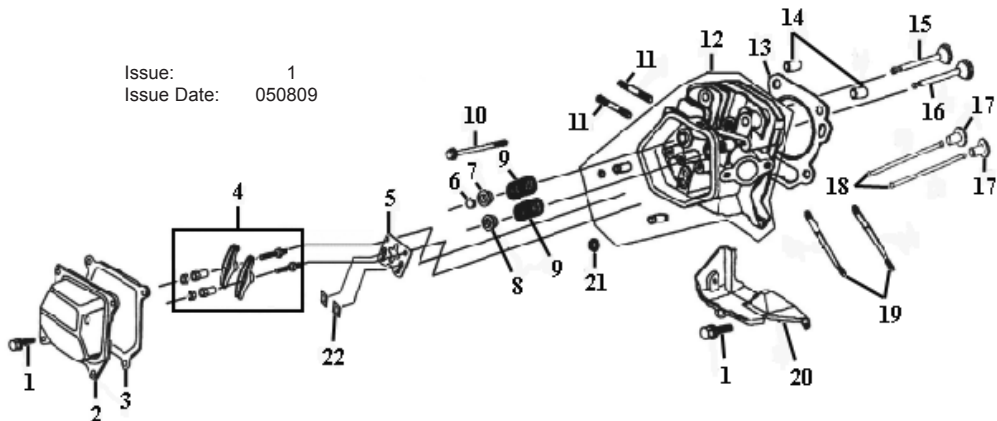
NOTE: It is our policy to continually improve products and as such we reserve the right to alter data, specifications and component parts without prior notice.

IMPORTANT: No liability is accepted for incorrect use of product.

WARRANTY: Guarantee is 12 months from purchase date, proof of which will be required for any claim.

INFORMATION: For a copy of our latest catalogue and promotions call us on 01284 757525 and leave your full name and address, including postcode.

CYLINDER HEAD PARTS

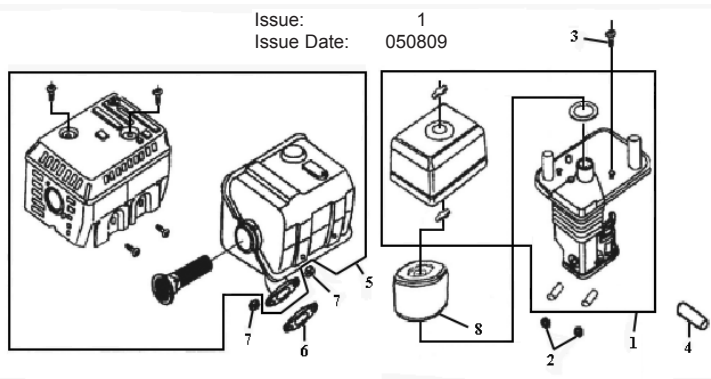


Issue: 1
 Issue Date: 050809

ITEM	PART NO	DESCRIPTION
1	EWP050.CH1	BOLT M6X12
2	EWP050.CH2	CYLINDER HEAD COVER
3	EWP050.CH3	GASKET, CYLINDER HEAD COVER
4	EWP050.CH4	VALVE ROCKER ASS'Y
5	EWP050.CH5	PUSH GUIDE
6	EWP050.CH6	CAP
7	EWP050.CH7	EXHAUST SPRING SEAT
8	EWP050.CH8	INTAKE SPRING SEAT
9	EWP050.CH9	VALVE SPRING
10	EWP050.CH10	BOLT M8X60
11	EWP050.CH11	STUD AM8X34

ITEM	PART NO	DESCRIPTION
12	EWP050.CH12	CYLINDER HEAD ASS'Y
13	EWP050.CH13	CYLINDER HEAD GASKET
14	EWP050.CH14	SET PIN
15	EWP050.CH15	EXHAUST VALVE
16	EWP050.CH16	INTAKE VALVE
17	EWP050.CH17	TAPPET
18	EWP050.CH18	PUSHER
19	EWP050.CH19	STUD AM6X105
20	EWP050.CH20	LEAD WIND COVER
21	EWP050.CH21	OIL SEAL, PIPE
22	EWP050.CH22	NYLON, LINING

AIR CLEANER PARTS

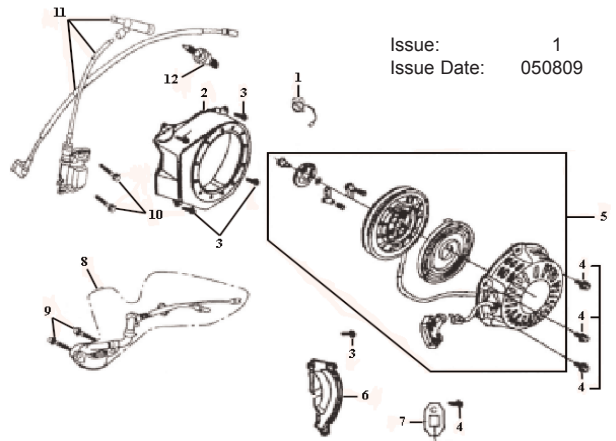


Issue: 1
 Issue Date: 050809

ITEM	PART NO	DESCRIPTION
1	EWP050.AC1	AIR CLEANER ASS'Y
2	EWP050.AC2	NUT M6
3	EWP050.AC3	BOLT M6X22
4	EWP050.AC4	AIR DUCK
5	EWP050.AC5	EXHAUST MUFFLER ASS'Y
6	EWP050.AC6	EXHAUST GASKET
7	EWP050.AC7	NUT M8
8	EWP050.AC8	AIR FILTER

RECOIL STARTER & IGNITION COIL ASS'Y PARTS

ITEM	PART NO	DESCRIPTION
1	EWP050.RS1	ENGINE SWITCH
2	EWP050.RS2	FAN COVER
3	EWP050.RS3	BOLT M6X12
4	EWP050.RS4	BOLT M6X8
5	EWP050.RS5	RECOIL STARTER ASS'Y
6	EWP050.RS6	SHROAD COMP.
7	EWP050.RS7	DIODE
8	EWP050.RS8	OIL SENSOR
9	EWP050.RS9	BOLT M6X14
10	EWP050.RS10	BOLT M6X22
11	EWP050.RS11	IGNITION COIL ASS'Y
12	EWP050.RS12	SPARK PLUG



Issue: 1
 Issue Date: 050809

NOTE: It is our policy to continually improve products and as such we reserve the right to alter data, specifications and component parts without prior notice.

IMPORTANT: No liability is accepted for incorrect use of product.

WARRANTY: Guarantee is 12 months from purchase date, proof of which will be required for any claim.

INFORMATION: For a copy of our latest catalogue and promotions call us on 01284 757525 and leave your full name and address, including postcode.