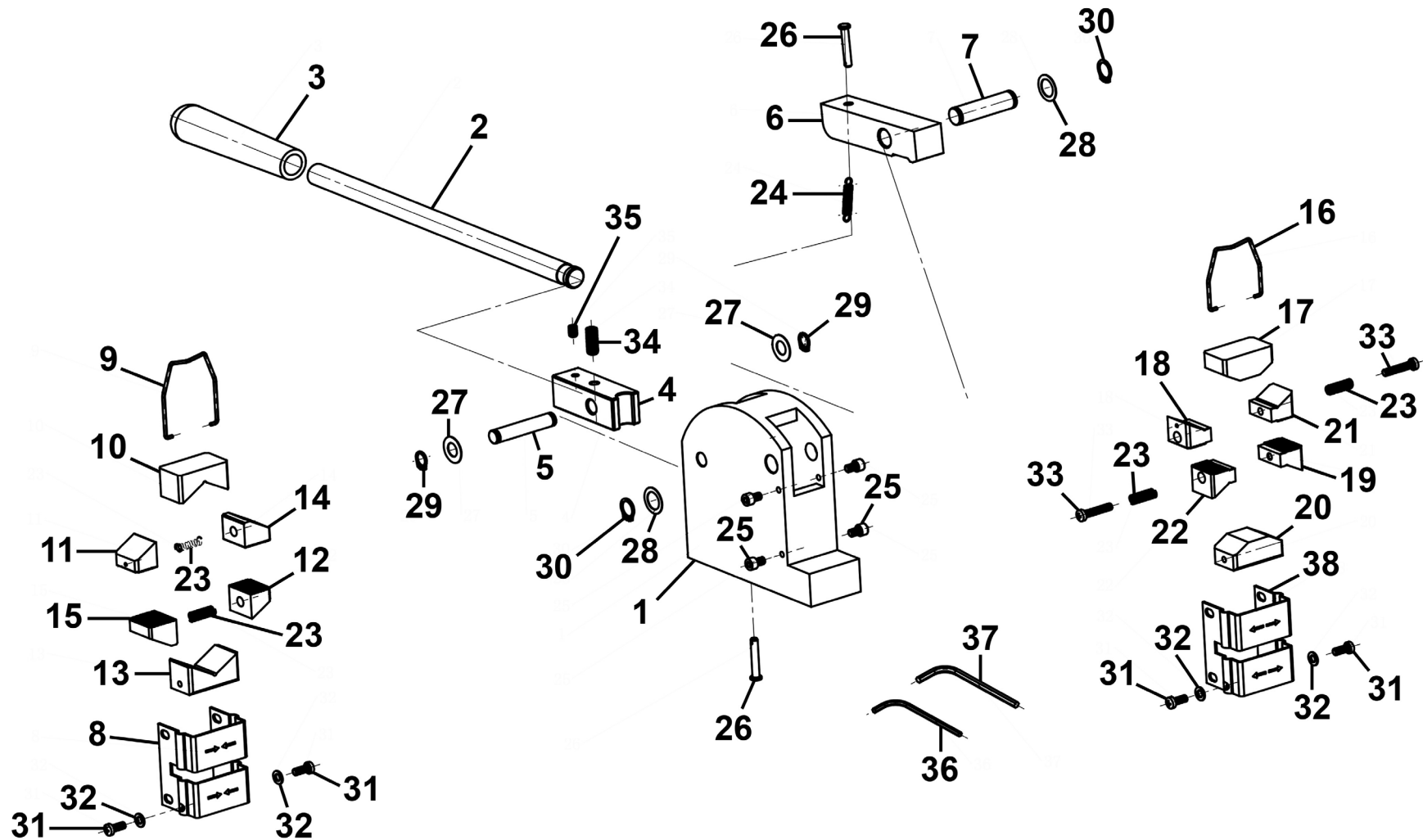




Parts Information:
Metal Shrinker & Stretcher Tool for Sheet Fabrication with 1" Throat
Model No: MW20



NOTE: It is our policy to continually improve products and as such we reserve the right to alter data, specifications and component parts without prior notice.

There may be alternative versions of this product, please contact us should you require this information.

IMPORTANT: No liability is accepted for incorrect use of product. Spare parts must be fitted by a competent person

WARRANTY: Guarantee is 12 months from purchase date, proof of which will be required for any claim.

Sealey Group, Kempson Way, Suffolk Business Park, Bury St Edmunds, Suffolk. IP32 7AR



01284 757500



sales@sealey.co.uk



www.sealey.co.uk



Parts Information:
**Metal Shrinker & Stretcher Tool for Sheet
Fabrication with 1" Throat
Model No: MW20**

Item	Part No.	Description	Qty
1	MW20-01	Base	1
2	MW20-02	Handle	1
3	MW20-03	Handle Grip	1
4	MW20-04	Backing Block	1
5	MW20-05	Backing Shaft	1
6	MW20-06	Front Block	1
7	MW20-07	Front Shaft	1
8	MW20-08	Jaw Cover	1
9	MW20-09	Shrinker Hook	1
10	MW20-10	Shrinker Upper V-Block	1
11	MW20-11	Shrinker Upper Small Jaw	1
12	MW20-12	Shrinker Lower Small Jaw	1
13	MW20-13	Shrinker Lower V-Block	1
14	MW20-14	Shrinker Upper Big Jaw	1
15	MW20-15	Shrinker Lower Big Jaw	1
16	MW20-16	Strecher Hook	1
17	MW20-17	Strecher Upper V-Block	1
18	MW20-18	Strecher Upper Jaw (A)	1
19	MW20-19	Strecher Lower Jaw (A)	1
20	MW20-20	Strecher Lower V-Block	1

Item	Part No.	Description	Qty
21	MW20-21	Strecher Upper Jaw (B)	1
22	MW20-22	Strecher Lower Jaw (B)	1
23	MW20-23	Suspension Spring	4
24	MW20-24	Spring	1
25	SCB58.S	Socket Cap Bolt M5 x 8mm	4
26	MW20-26	Pin	2
27	FWM10.S	Flat Washer M10 Zinc	2
28	FWM10.S	Flat Washer M10 Zinc	2
29	MW20-29	External Circlip	2
30	MW20-30	External Circlip	2
31	MSP512.S	Machine Screw Pan Head Phillips M5 X 12mm	4
32	FWM5.S	Flat Washer M5 Zinc	4
33	MSP525.S	Machine Screw Pan Head Phillips M5 X 25mm	2
34	GSM820.S	Grub screw m8x20 (single)	1
35	GSM610.S	Grub screw m6x10 (single)	1
36	MW20-36	Hex Key 3mm	1
37	MW20-37	Hex Key 4mm	1
38	MW20-38	Jaw Cover	1

NOTE: It is our policy to continually improve products and as such we reserve the right to alter data, specifications and component parts without prior notice. There may be alternative versions of this product, please contact us should you require this information.

IMPORTANT: No liability is accepted for incorrect use of product. Spare parts must be fitted by a competent person

WARRANTY: Guarantee is 12 months from purchase date, proof of which will be required for any claim.

Sealey Group, Kempson Way, Suffolk Business Park, Bury St Edmunds, Suffolk. IP32 7AR



01284 757500



sales@sealey.co.uk



www.sealey.co.uk