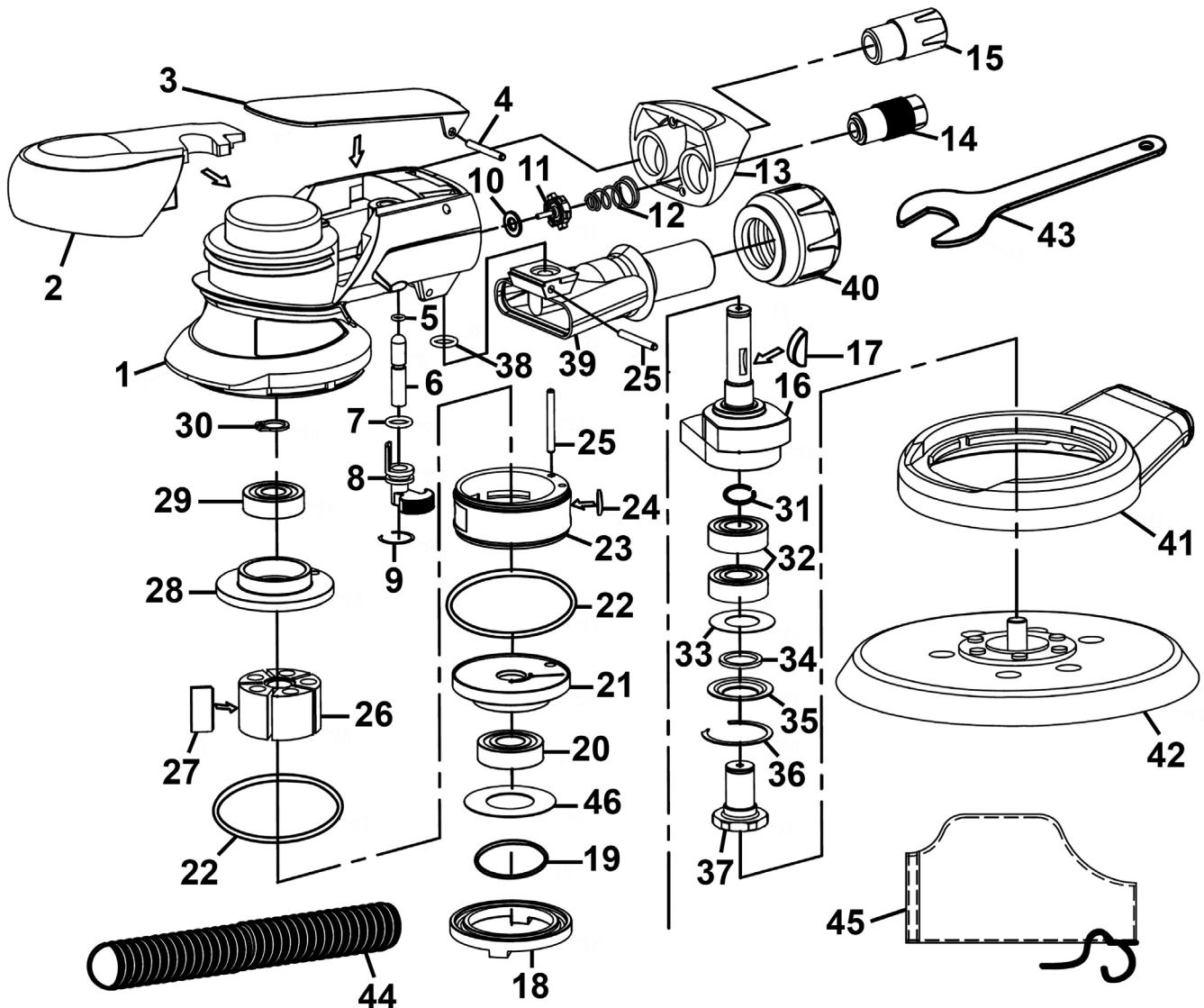




Parts Information:  
**Air Palm Orbital Sander 6" Ø150mm Dust-Free**  
**Model No: SA803**



Item	Part No.	Description	Qty
1	SA803-01	Housing	1
2	SA803-02	Housing Cover	1
3	SA803-03	Trigger	1
4	SA803-04	Trigger Pin	1
5	SA803-05	O-Ring (4 x 1mm)	1
6	SA803-06	Valve Stem	1
7	SA803-07	O-Ring (8 x 1.8mm)	1

Item	Part No.	Description	Qty
8	SA803-08	Regulator	1
9	SA803-09	C-Ring	1
10	SA803-10	Switch Valve Gasket	1
11	GSA003.11	Switch Valve	1
12	SA803-12	Conical Spring	1
13	SA803-13	Tailstock	1
14	SA803-14	Air Inlet Connector	1

**NOTE:** It is our policy to continually improve products and as such we reserve the right to alter data, specifications and component parts without prior notice. There may be alternative versions of this product, please contact us should you require this information.

**IMPORTANT:** No liability is accepted for incorrect use of product. Spare parts must be fitted by a competent person

**WARRANTY:** Guarantee is 12 months from purchase date, proof of which will be required for any claim.

Sealey Group, Kempson Way, Suffolk Business Park, Bury St Edmunds, Suffolk. IP32 7AR



01284 757500



sales@sealey.co.uk



www.sealey.co.uk



Parts Information:  
**Air Palm Orbital Sander 6" Ø150mm Dust-Free**  
**Model No: SA803**

Item	Part No.	Description	Qty
15	SA803-15	Cover	1
16	SA803-16	Drive Shaft	1
17	SA803-17	Woodruff Key (3 x 5 x 13)	1
18	SA803-18	Lock Ring	1
19	SA803-19	O-Ring (39.8 x 3.1)	1
20	B/6001ZZ	Bearing 6001zz	1
21	SA803-21	Front Plate	1
22	GSA06.21	O-ring, (Ex: 40.54 In: 38.14 Cs: 1.40)	2
23	SA803-23	Cylinder	1
24	GSA003.23	O-ring	1
25	SA803-25	Spring Pin M3 x 28	2
26	SA803-26	Rotor	1
27	SA803-27	Rotor Blade	5
28	SA803-28	Rear Plate	1
29	B/6000ZZ	Bearing 6000zz	1
30	SA803-30	Retaining Ring	1

Item	Part No.	Description	Qty
31	SA803-31	Snap Ring	1
32	B/6001-RS	Bearing 6001-rs	2
33	SA803-33	Dustproof Pad	1
34	GSA06.32	Sealing Ring	1
35	SA803-35	Disc Washer	1
36	GSA06.34	C-Retaining Ring	1
37	SA803-37	Balancing Shaft	1
38	SA803-38	O-Ring (9.8 x 1.5mm)	1
39	SA803-39	Vacuum Adaptor	1
40	SA803-40	Exhaust Hose Joint	1
41	SA803-41	Dust Collection Hood	1
42	GSA06.42	6" Pad	1
43	GSA06.40	Wrench	1
44	SA803-44	Dust Collection Hose	1
45	GSA06.44	Dust Collecting Bag	1
46	SA803-46	Dustproof Ring	1

**NOTE:** It is our policy to continually improve products and as such we reserve the right to alter data, specifications and component parts without prior notice. There may be alternative versions of this product, please contact us should you require this information.

**IMPORTANT:** No liability is accepted for incorrect use of product. Spare parts must be fitted by a competent person

**WARRANTY:** Guarantee is 12 months from purchase date, proof of which will be required for any claim.

Sealey Group, Kempson Way, Suffolk Business Park, Bury St Edmunds, Suffolk. IP32 7AR



01284 757500



sales@sealey.co.uk



www.sealey.co.uk