

IMPORTANT SAFETY INFORMATION

! Read this manual including safety instructions and operation instructions carefully before using the appliance, for your own safety.

APPLICATION

The pneumatic tool is designed for grinding. The tool together with the prepared cushion and proper abrasive can be used to grind the metal, stone, wood, plastic and other materials. It can only be used for such grinding.

Before installing grinding and polishing accessories, always check whether the marked maximum speed is higher than its rated speed. Use proper cushion whose size and weight can meet the requirements.

EXPLANATION OF SIGNAL WORDS

! WARNING

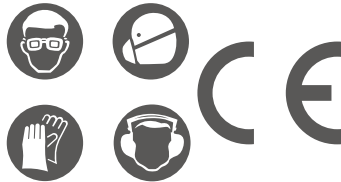
Warning means there maybe potential hazardous situations. If ignore it, it may lead to property damage, slight or moderate injury, or even death.

Read All The Instructions
Before Using



! WARNING

Please wear professional and authorized respirator and other skin protection devices to protect your eyes and your bodies when using air tools. Since dust produced by abrasive materials may cause lung injury or other physical injuries.



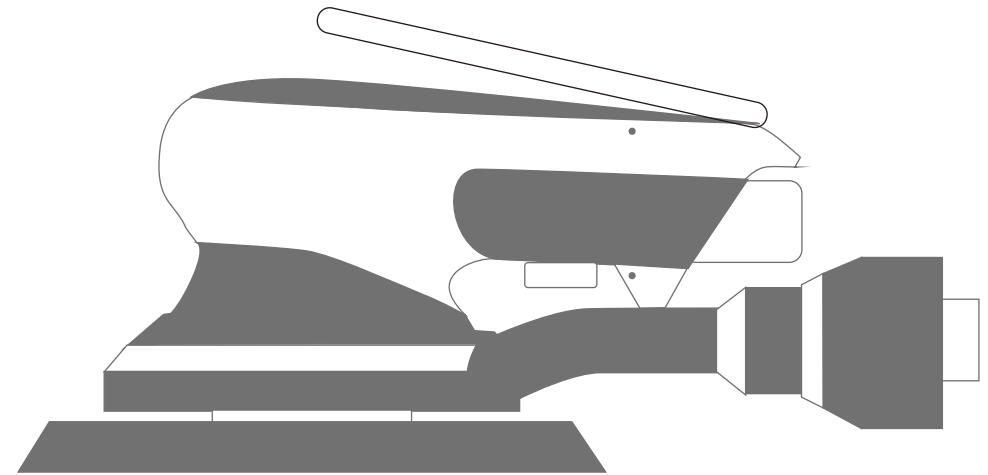
! WARNING

Pay attention to all the notices to reduce or avoid the risk of hazards that may be caused during using pneumatic tools:

1. Before using this tool, please read, understand and follow all the safety information contained in these instructions.
2. Only properly trained people can use such tools.
3. Do well self-protection measures. And wear professional protection devices to protect yourself before using air tools.
4. Keep alert and dress properly when using the pneumatic tool.
5. Do not exceed the max. working pressure (90psi/0.62Mpa/6.2Bars) when using.
6. According to the instructions, install the pad carefully and ensure that it is firmly connected to the tool before using.
7. Do not point the air tool to your ears or others'. Please stop using it immediately if its noise reduction system is damaged. Repair it before putting it back to work for your safe.
8. Please stop immediately and go to see a doctor if you feel uncomfortable. Repetitive injuries may cause wrist or arm injuries.

WFS-3638C

MANUAL



6" AIR SANDER

TECHNICAL SPECIFICATIONS

Sanding Pad Size	6" (146mm)	Air Inlet	NPT 1/4"
Speed	11000RPM	Air Exhaust	360 Rear Exhaust
Ave. Air Consumption	112L/min (4cfm)	Working Pressure	90PSI

IMPORTANT SAFETY INSTRUCTIONS

1. Please wear goggles, earmuffs and gloves to ensure safety before using tools.
2. Please wear a mask if the air is poor.
3. Please do not use any damaged or worn air compressor pipe fittings.
4. Please ensure that you have enough strength to hold the pneumatic tools, since there will be great impact when they are working.
5. Please do not use pneumatic tools for a long time. If you feel tired or uncomfortable, please stop using them immediately and go to see a doctor.
6. Do not use unauthorized parts and accessories, which may do harm to human body and pneumatic tools.
7. When using pneumatic tools, please do not wear ties, scarves and loose clothing to prevent serious injury caused by being involved in the pneumatic tools.
8. Please remove the air connector when the tool is repaired or after using the tools.

IMPORTANT OPERATING INSTRUCTIONS

1. Power source: compressed air.
2. Please configure an air filter screen to ensure the cleanness and dryness of the air, which can make the tool works longer.
3. The length of the air hose should not exceed 5m to avoid the air compressor pipeline winding.
4. The air compressor and air compressor pipe must be drained regularly. The polluted and moist air will seriously affect the life of pneumatic tools.

MAINTENANCE

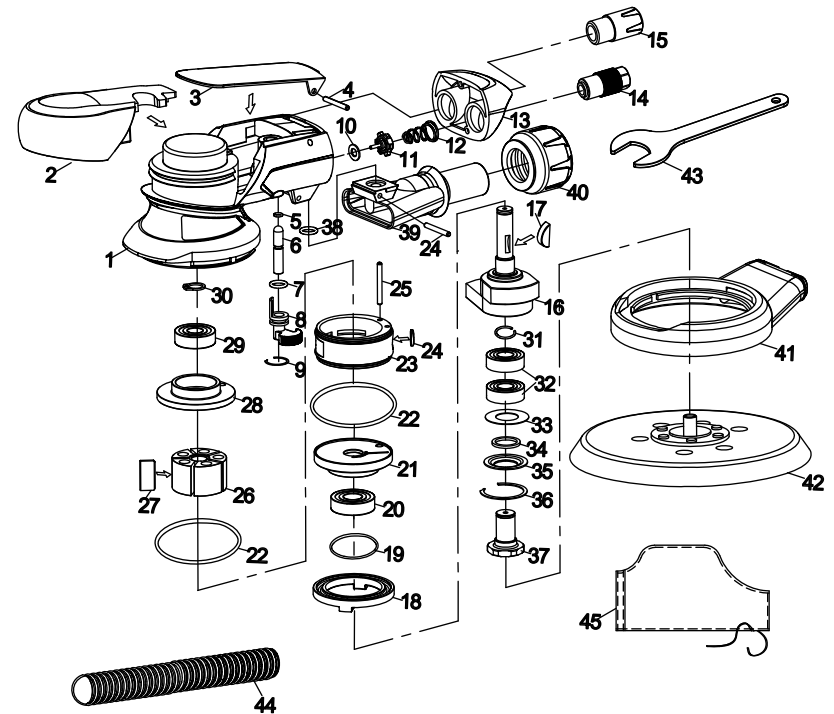
1. Please lubricate the tool only with specified lubricants. Lubricate the air inlet using only pneumatic tool oil.
2. Please use an oil injector to lubricate the pneumatic tools and adjust the flow rate to 2 drops per minute.
3. Please add an appropriate amount of lubricating oil into the air connector before use, if the oil injector is not applicable. This will greatly improve the performance and life of the air sander.
4. Please do not disassemble tools arbitrarily to avoid damage.

TROUBLESHOOTING

Problem	Possible Causes	Possible Solutions
Insufficient Torque	Not enough air pressure or airflow	Check for loose connectors and make sure that air supply is providing enough air flow (CFM) at required pressure (PSI) to the tool's air inlet. Do not exceed maximum air pressure.
	Incorrect or insufficient lubrication	Using air tool oil to lubricate according to directions.
	Abrasion of hammering mechanism	Replace parts
	Motor components wear	Check and replace worn parts
	Sundries mixed in the motor components	Disassemble and remove impurities

Problem	Possible Causes	Possible Solutions
Low Speed	Not enough air pressure or airflow	Check for loose connectors and make sure that air supply is providing enough air flow (CFM) at required pressure (PSI) to the tool's air inlet. Do not exceed maximum air pressure.
	Incorrect or insufficient lubrication	Using air tool oil to lubricate according to directions.
	Blade wear	Replace worn blade
	Sundries mixed in the motor components	Disassemble and remove impurities
Air Leak	Air inlet leak	Replace the air inlet connector and add raw material belt
	Aging of sealing ring	Replace sealing ring
	Choke Wear	Replace the choke

PARTS LIST



REF	Description	QTY
1	Body	1
2	Jacket	1
3	Trigger	1
4	Straight pin 3*45	1
5	O-ring 4*1	1
6	Pin	1
7	O-ring 8*1.8	1
8	Valve knob	1
9	Hole retaining ring	1
10	Switch valve ring	1
11	Switch valve	1
12	Switch valve spring	1
13	Locating sleeve	1
14	Air inlet connector	1
15	Cover	1
16	5"/6" Drive shaft	1
17	Woodruff key 3*5*13	1
18	Lock nut	1
19	O-ring 39.8*3.1	1
20	Bearing 6001-2Z	1
21	Front cylinder head	1
22	O-ring 38*1.5	2
23	Cylinder	1

REF	Description	QTY
24	Cylinder sealing ring	1
25	Straight pin 3*28	2
26	Rotor	1
27	Blade	5
28	Back cylinder head	1
29	Bearing 6000-2Z	1
30	Snap ring	1
31	E stopper	1
32	Bearing 6001-RS	2
33	Dust-proof pad	1
34	Bearing sealing ring	1
35	V gasket	1
36	C retaining ring	1
37	Balancing shaft	1
38	O-ring	1
39	Vacuum adapter	1
40	Dust suction pipe joint	1
41	Dust collecting hood	1
42	6" PAD	1
43	Wrench	1
44	Dust collecting hose	1
45	Dust collecting bag	1