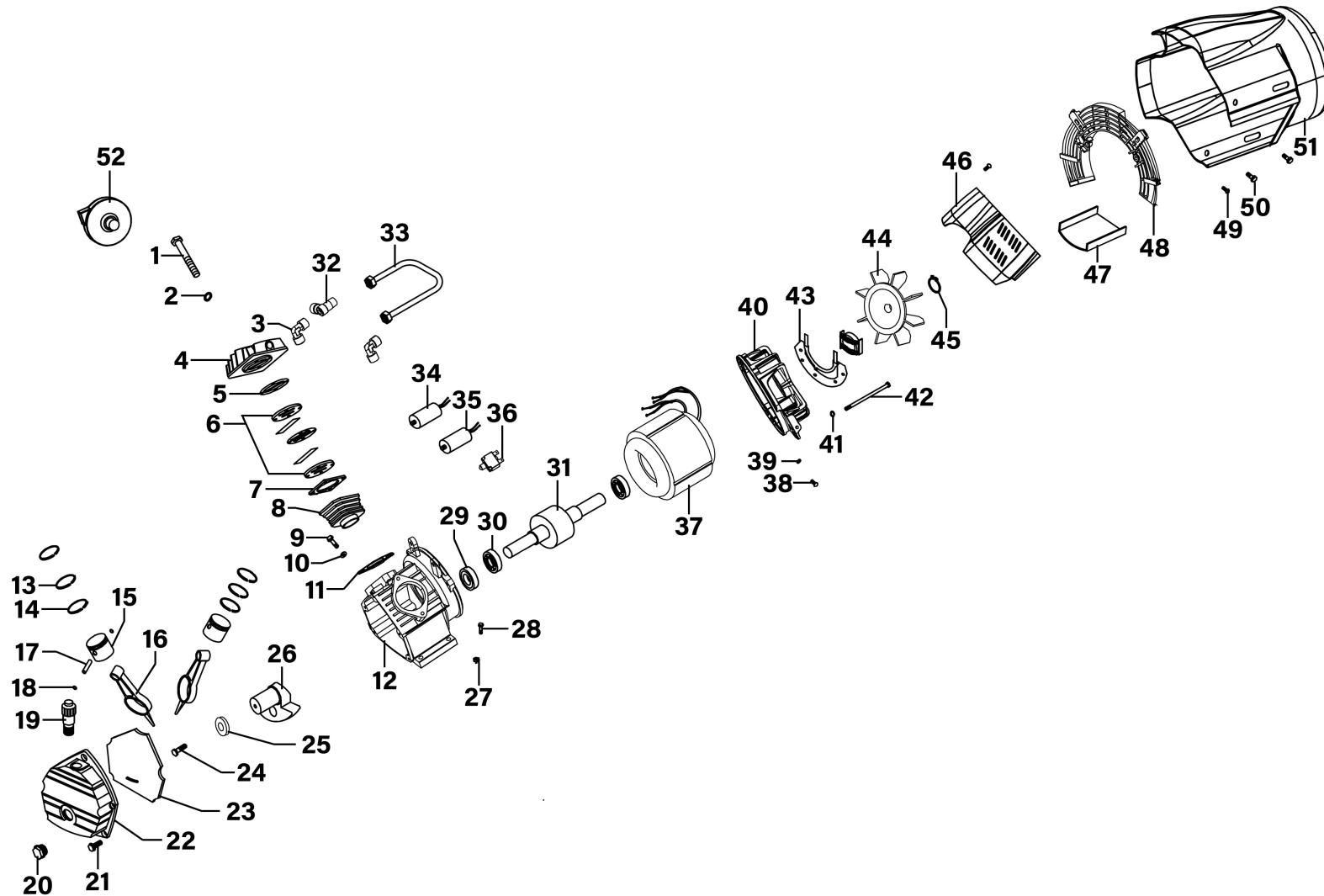




Parts Information:
Air Compressor 50L V-Twin Direct Drive 3hp
Model No: SAC5030VA



NOTE: It is our policy to continually improve products and as such we reserve the right to alter data, specifications and component parts without prior notice.

There may be alternative versions of this product, please contact us should you require this information.

IMPORTANT: No liability is accepted for incorrect use of product. Spare parts must be fitted by a competent person

WARRANTY: Guarantee is 12 months from purchase date, proof of which will be required for any claim.

Sealey Group, Kempson Way, Suffolk Business Park, Bury St Edmunds, Suffolk. IP32 7AR



01284 757500



sales@sealey.co.uk



www.sealey.co.uk



Parts Information:
**Air Compressor 50L V-Twin Direct Drive
3hp
Model No: SAC5030VA**

| Item | Part No. | Description | Qty |
|------|-----------------|-----------------------------|-----|
| 1 | HHB650.S | Hex Head Bolt M6 x 50mm | 8 |
| 2 | FWM6.S | Flat Washer M6 Zinc | 8 |
| 3 | SAC10030VA-P03 | Exhaust Elbow | 2 |
| 4 | SAC10030VA-P04 | Cylinder Head | 2 |
| 5 | SAC10030VA-P05 | Cylinder Head Gasket | 2 |
| 6 | SAC10030VA-P06 | Valve Assembly | 2 |
| 7 | SAC10030VA-P07 | Cylinder Gasket | 2 |
| 8 | SAC10030VA-P08 | Cylinder | 2 |
| 9 | SAC10030VA-P09 | Hex Head Screw | 4 |
| 10 | SWM8.S | Spring Washer M8 Zinc | 4 |
| 11 | SAC10030VA-P11 | Crankcase Gasket | 2 |
| 12 | SAC10030VA-P12 | Crankcase | 1 |
| 13 | SAC10030VA-P13 | Piston Ring | 4 |
| 14 | SAC10030VA-P14 | Piston/Oil Ring | 2 |
| 15 | SAC10030VA-P15 | Piston | 2 |
| 16 | SAC10030VA-P16 | Connecting Rod | 2 |
| 17 | SAC10030VA-P17 | Piston Pin | 2 |
| 18 | SAC5020A-V2-P17 | Piston Pin Clip Ø12 | 4 |
| 19 | SAC10030VA-P19 | Air Breather | 1 |
| 20 | SAC10030VA-P20 | Oil Sight Glass | 1 |
| 21 | SAC10030VA-P21 | Crankcase Cover Bolt | 5 |
| 22 | SAC10030VA-P22 | Crankcase Cover | 1 |
| 23 | SAC10030VA-P23 | Crankcase Cover Gasket | 1 |
| 24 | SAC10030VA-P24 | Hex Head Bolt M8 x 22 | 1 |
| 25 | FWM8.S | Flat Washer M8 Zinc | 1 |
| 26 | SAC10030VA-P26 | Crank Shaft | 1 |
| 27 | FN8.S | Flange Nut Serrated M8 Zinc | 4 |

| Item | Part No. | Description | Qty |
|------|-----------------|--|-----|
| 28 | SS825.S | Hex Head Set Screw M8 X 25 Zinc | 4 |
| 29 | SAC10030VA-P29 | Crankcase Oil Seal | 1 |
| 30 | B/6205 | Bearing 6205 | 2 |
| 31 | SAC10030VA-P31 | Rotor | 1 |
| 32 | SAC10030VA-P32 | Exhaust Elbow | 1 |
| 33 | SAC10030VA-P33 | Exhaust Pipe | 1 |
| 34 | SAC10030VA-P34 | Start Capacitor | 1 |
| 35 | SAC10030VA-P35 | Run Capacitor | 1 |
| 36 | SAC10030VA-P36 | Protector Thermal Switch | 1 |
| 37 | SAC10030VA-P37 | Stator | 1 |
| 38 | MSP46.S | Machine Screw Pan Head Phillips M4 X 6mm | 1 |
| 39 | SAC10030VA-P39 | Gear Ring | 1 |
| 40 | SAC10030VA-P40 | Rear Support | 1 |
| 41 | SWM5.S | Spring Washer M5 Zinc | 4 |
| 42 | SAC5020A-V2-P33 | Hex Screw M5x80 | 4 |
| 43 | SAC10030VA-P43 | Centrifugal Switch | 1 |
| 44 | SAC10030VA-P44 | Fan | 1 |
| 45 | SAC5020A-V2-P38 | Fan Ring Ø14 | 1 |
| 46 | SAC10030VA-P46 | Cover for Cylinder Head | 1 |
| 47 | SAC10030VA-P47 | Bottom Cover for Housing | 1 |
| 48 | SAC10030VA-P48 | Plastic Support | 1 |
| 49 | SAC5020A-V2-P40 | Casing Screw ST3x12 | 5 |
| 50 | SS512.S | Hex Head Set Screw M5 X 12 Zinc | 4 |
| 51 | SAC10030VA-P51 | Plastic Pump Cover | 1 |
| 52 | SAC10030VA-P52 | Air Filter | 2 |

NOTE: It is our policy to continually improve products and as such we reserve the right to alter data, specifications and component parts without prior notice. There may be alternative versions of this product, please contact us should you require this information.

IMPORTANT: No liability is accepted for incorrect use of product. Spare parts must be fitted by a competent person

WARRANTY: Guarantee is 12 months from purchase date, proof of which will be required for any claim.

Sealey Group, Kempson Way, Suffolk Business Park, Bury St Edmunds, Suffolk. IP32 7AR



01284 757500



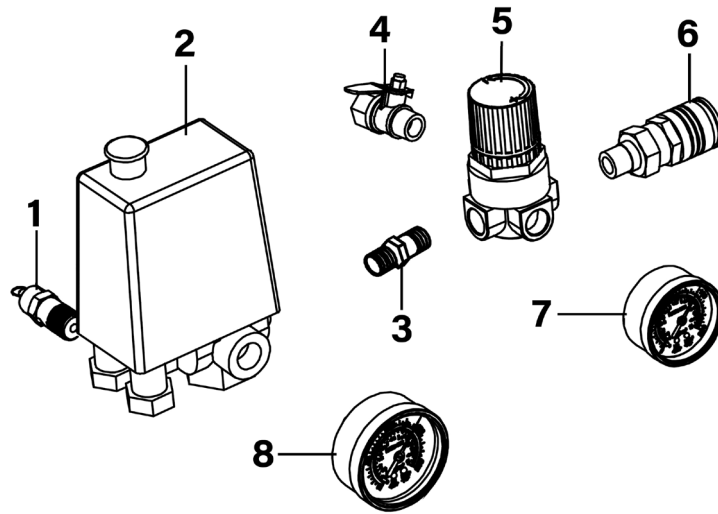
sales@sealey.co.uk



www.sealey.co.uk

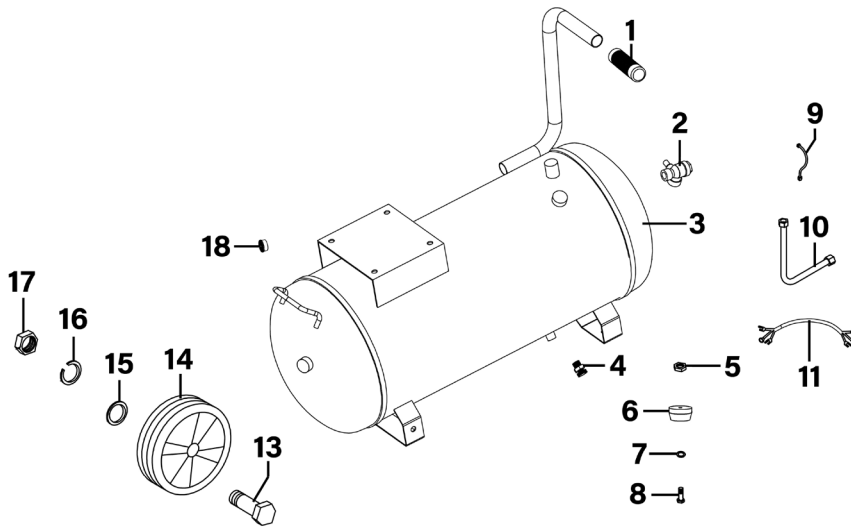


Parts Information:
**Air Compressor 50L V-Twin Direct Drive
 3hp
 Model No: SAC5030VA**



| Item | Part No. | Description | Qty |
|------|-----------------|-------------------|-----|
| 1 | SAC10030VA-SA01 | Safety Valve 1/4" | 1 |
| 2 | SAC10030VA-SA02 | Pressure Switch | 1 |
| 3 | SAC10030VA-SA03 | Union Connector | 1 |
| 4 | SAC10030VA-SA04 | Ball Valve 1/4" | 1 |

| Item | Part No. | Description | Qty |
|------|-----------------|---------------------|-----|
| 5 | SAC10030VA-SA05 | Pressure Regulator | 1 |
| 6 | SAC10030VA-SA06 | Quick Coupling | 1 |
| 7 | SAC10030VA-SA07 | Pressure Gauge d.40 | 1 |
| 8 | SAC10030VA-SA08 | Pressure Gauge d.50 | 1 |



| Item | Part No. | Description | Qty |
|------|---------------|---------------------------------|-----|
| 1 | SAC5030VA-01 | Handle Grip | 1 |
| 2 | SAC10030VA-03 | Check Valve | 1 |
| 3 | SAC5030VA-03 | Tank 50ltr | 1 |
| 4 | SAC10030VA-04 | Exhaust Pipe | 1 |
| 5 | FN8.S | Flange Nut Serrated M8 Zinc | 2 |
| 6 | SAC5030VA-06 | Rubber Foot | 2 |
| 7 | FWM8.S | Flat Washer M8 Zinc | 2 |
| 8 | SS825.S | Hex Head Set Screw M8 X 25 Zinc | 2 |
| 9 | SAC5030VA-09 | Unloading Pipe | 1 |

| Item | Part No. | Description | Qty |
|------|---------------|------------------------|-----|
| 10 | SAC5030VA-10 | Exhaust Pipe | 1 |
| 11 | SAC10030VA-07 | Connecting Wire | 1 |
| 13 | SAC5030VA-13 | Wheel Bolt | 2 |
| 14 | SAC5030VA-14 | Fixed Wheel | 2 |
| 15 | FWM10.S | Flat Washer M10 Zinc | 2 |
| 16 | SWM10.S | Spring Washer M10 Zinc | 2 |
| 17 | SN10.S | Steel Nut M10 Zinc | 2 |
| 18 | SAC10030VA-16 | Rubber Block | 1 |

NOTE: It is our policy to continually improve products and as such we reserve the right to alter data, specifications and component parts without prior notice. There may be alternative versions of this product, please contact us should you require this information.

IMPORTANT: No liability is accepted for incorrect use of product. Spare parts must be fitted by a competent person

WARRANTY: Guarantee is 12 months from purchase date, proof of which will be required for any claim.

Sealey Group, Kempson Way, Suffolk Business Park, Bury St Edmunds, Suffolk. IP32 7AR



01284 757500



sales@sealey.co.uk



www.sealey.co.uk