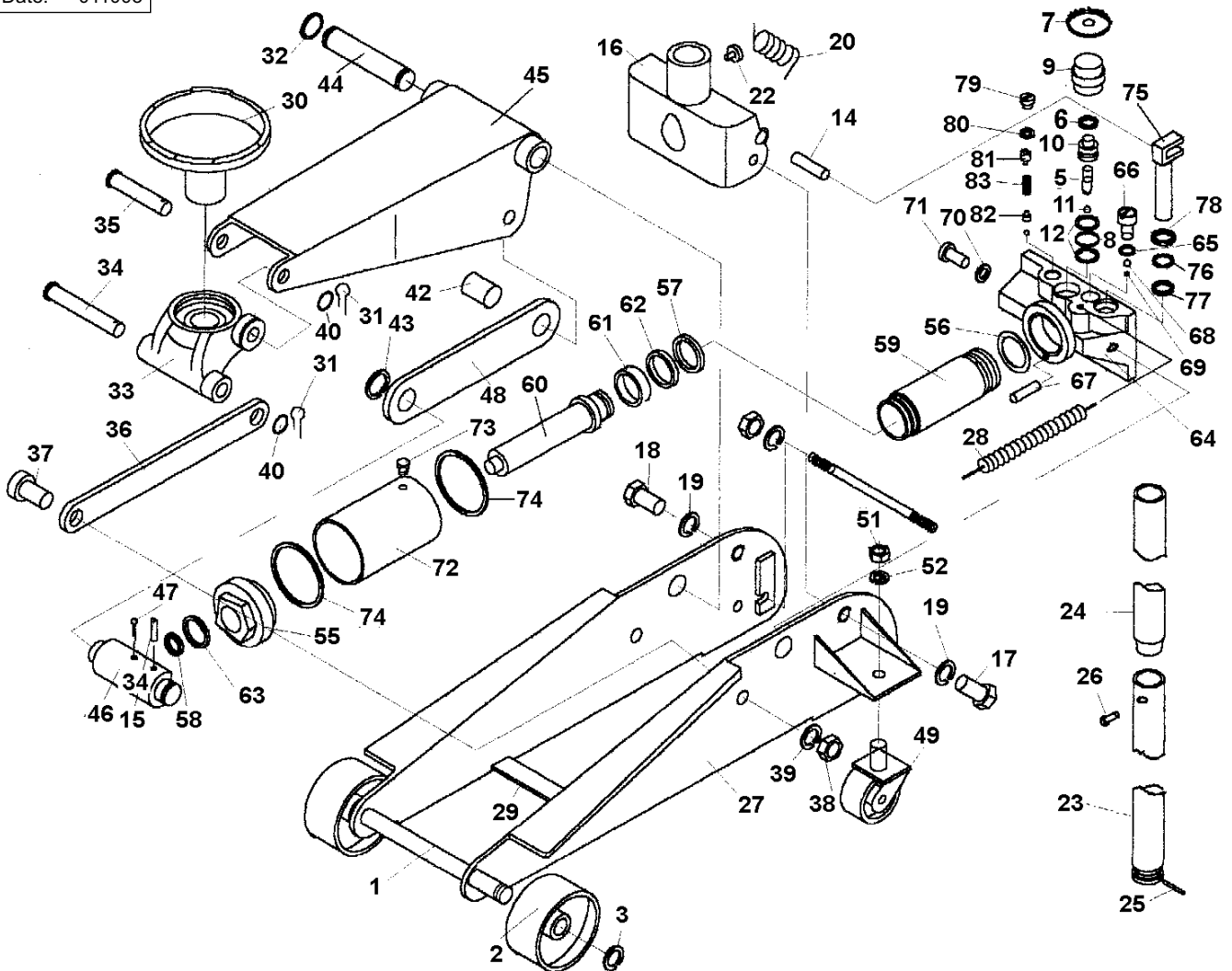


Version: 2
Date: 011003



Note: For the complete part number, enter the model number as a prefix to the number shown i.e 2080CX/1-1.

Item	Part No	Description	Item	Part No	Description	Item	Part No	Description	Item	Part No	Description
1	1-1	Front wheel shaft	-	-	Handle Assembly	64	6-1	Oil box	72	7-1	Oil tank
2	1-3	Front wheel	22	12-2	Handle set screw	65	6-11	Back up ring	73	7-3	Oil fill plug
3	1-4	Snap ring	23	12-21	Lower handle	66	6-2	Bolt	74	7-4	O-ring
-	-	Release Valve Assembly	24	12-22	Upper handle	67	6-3	Oil filter	75	8-1	Pump plunger
5	10-1	Release valve	25	12-23	Spring Pin	68	6-4A	Steel ball 9mm	76	8-2	Back up ring
6	10-2	O-Ring	26	12-24	Handle connecting bolt	69	6-4B	Steel ball 6mm	77	8-3	O-ring
7	10-3	Release valve gear	27	13-1	Frame	70	6-6	Washer	78	8-4	Oil seal
8	10-4	Collar	28	13-3	Spring	71	6-7	Bolt	79	9-1	Safety valve plug cap
9	10-5	Release valve lock nut	29	13-5	Stopper	-	-	Castor Assembly	80	9-2	Rubber packing
10	10-6	Release valve connecting rod	30	2-1	Saddle	42	3-10	Nut	81	9-3	Retainer
11	10-7	Steel ball 8mm	31	2-10	Cotter Pin	43	3-11	Spring washer	82	9-4	Spring retainer
12	10-8	Copper washer	32	2-11	Snap ring	44	3-12	Power Unit Assembly	83	9-5	Spring
-	-	Handle Fork Assembly	33	2-2	Saddle base	45	3-3	Tank nut			
14	11-1	Plunger connecting pin	34	2-3	Link rod pin (A)	46	3-5	Washer			
15	11-2	Rivet	35	2-4	Link rod pin (A)	47	3-7	O-ring			
16	11-3	Handle fork	36	2-5	Link rod	48	3-9	Piston packing retainer			
17	11-4	Handle shaft (A)	37	2-6	Link pin (B)	49	3-9	Cylinder			
18	11-5	Handle shaft (B)	38	2-7	Nut	50	5-1	Piston rod			
19	11-6	Spring washer	39	2-8	Spring washer	51	5-8	Packing			
20	11-7	Spring	40	2-9	Washer	52	5-9	Back up ring			