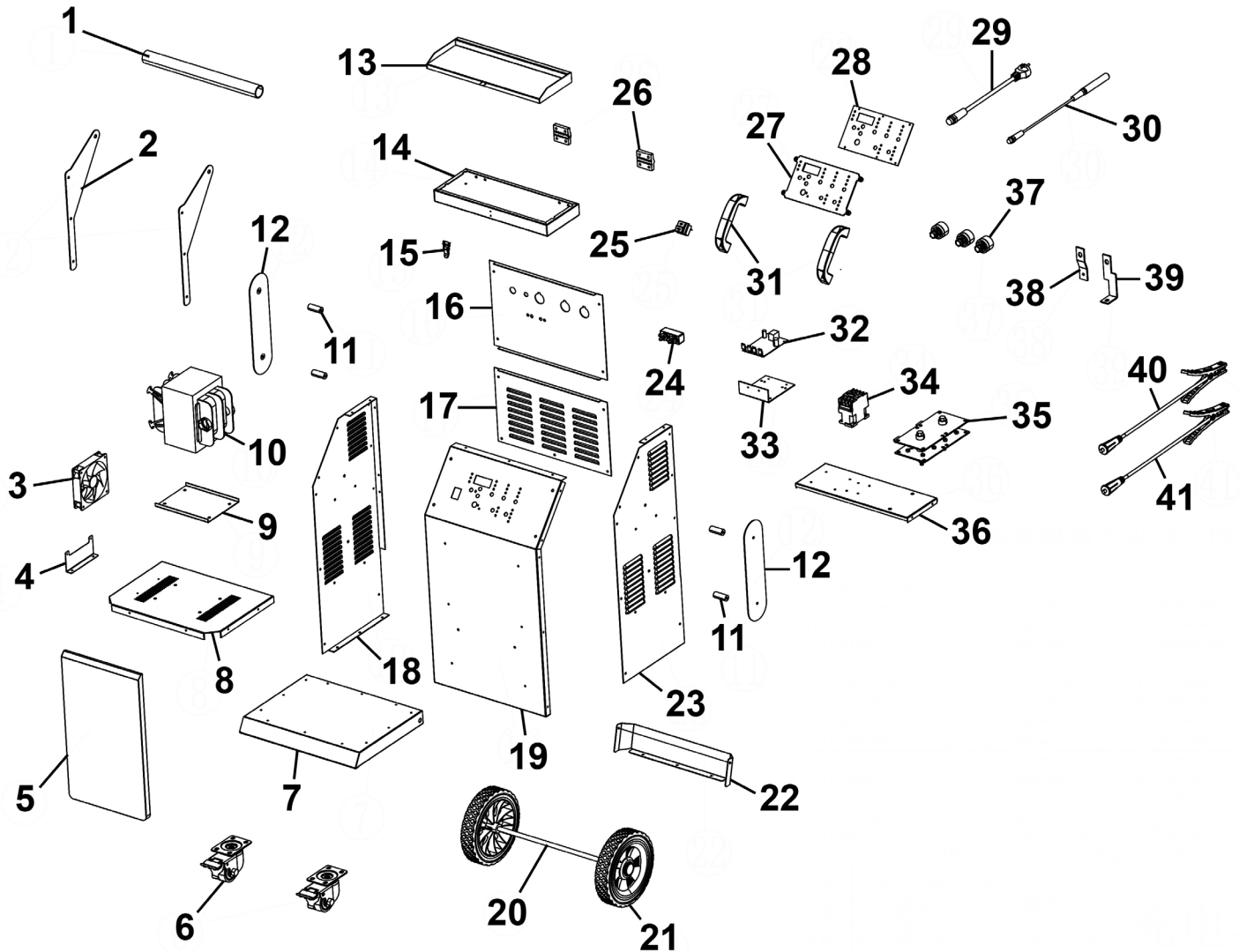




Parts Information:
6/12/24V Battery Starter/Charger
(550A,750A,950A)
Model No:
SUPERSTART550E,750E,950E



Item	Part No.	Description	Qty
1	SUPERSTART950E-01	Front Handle	1
2	SUPERSTART950E-02	Handle Bracket	2
3	SUPERSTART950E-03	Fan	1
4	SUPERSTART950E-04	Fan Bracket	1
5	SUPERSTART950E-05	Fraont Display Plate	1
6	SUPERSTART950E-06	Wheel, Swivel Castor	2
7	SUPERSTART950E-07	Base	1
8	SUPERSTART950E-08	Middle Panel (A)	1
9	SUPERSTART950E-09	Transformer Base	1

Item	Part No.	Description	Qty
10	SUPERSTART950E-10	Transformer (for SUPERSTART950E Only)	1
10	SUPERSTART750E-10	Transformer (for SUPERSTART750E Only)	1
10	SUPERSTART550E-10	Transformer (for SUPERSTART550E Only)	1
11	SUPERSTART950E-11	Clamp Support	4
12	SUPERSTART950E-12	Clamp Suport Side Plate	2
13	SUPERSTART950E-13	Tool Tray Upper Cover	1

NOTE: It is our policy to continually improve products and as such we reserve the right to alter data, specifications and component parts without prior notice. There may be alternative versions of this product, please contact us should you require this information.

IMPORTANT: No liability is accepted for incorrect use of product. Spare parts must be fitted by a competent person

WARRANTY: Guarantee is 12 months from purchase date, proof of which will be required for any claim.

Sealey Group, Kempson Way, Suffolk Business Park, Bury St Edmunds, Suffolk. IP32 7AR



01284 757500



sales@sealey.co.uk



www.sealey.co.uk



Parts Information:
**6/12/24V Battery Starter/Charger
(550A,750A,950A)
Model No:
SUPERSTART550E,750E,950E**

Item	Part No.	Description	Qty
14	SUPERSTART950E-14	Tool Tray Lower Cover	1
15	SUPERSTART950E-15	Tool Tray Lock Buckle	1
16	SUPERSTART950E-16	Rear Panel (A)	1
17	SUPERSTART950E-17	Rear Panel (B)	1
18	SUPERSTART950E-18	Panel, Left Side	1
19	SUPERSTART950E-19	Front Panel	1
20	SUPERSTART950E-20	Wheel Axle	1
21	SUPERSTART950E-21	Fixed Wheel	2
22	SUPERSTART950E-22	Cover	1
23	SUPERSTART950E-23	Panel, Right Side	1
24	SUPERSTART950E-24	Fuse Box	1
25	SUPERSTART950E-25	Power Switch	1
26	SUPERSTART950E-26	Hinge	2
27	SUPERSTART950E-27	Control PCB Base	1
28	SUPERSTART950E-28	Control PCB	1
29	SUPERSTART950E-29	Power Cord	1
30	SUPERSTART950E-30	Remote Start Switch	1
31	SUPERSTART950E-31	Handle	2
32	SUPERSTART950E-32	Main PCB	1
33	SUPERSTART950E-33	Radiator	1
34	SUPERSTART950E-34	AC Contactor	1

Item	Part No.	Description	Qty
35	SUPERSTART950E-35	Rectifier (for SUPERSTART950E Only)	1
35	SUPERSTART750E-35	Rectifier (for SUPERSTART750E Only)	1
35	SUPERSTART550E-35	Rectifier (for SUPERSTART550E Only)	1
36	SUPERSTART950E-36	Middle Panel (B)	1
37	SUPERSTART950E-37	Quick Socket	3
38	SUPERSTART950E-38	Connection Bracket (A)	1
39	SUPERSTART950E-39	Connection Bracket (B)	1
40	SUPERSTART950E-40	Positive Cable & Clamp (for SUPERSTART950E Only)	1
40	SUPERSTART750E-40	Positive Cable & Clamp (for SUPERSTART750E Only)	1
40	SUPERSTART550E-40	Positive Cable & Clamp (for SUPERSTART550E Only)	1
41	SUPERSTART950E-41	Negative Cable & Clamp (for SUPERSTART950E Only)	1
41	SUPERSTART750E-41	Negative Cable & Clamp (for SUPERSTART750E Only)	1
41	SUPERSTART550E-41	Negative Cable & Clamp (for SUPERSTART550E Only)	1

NOTE: It is our policy to continually improve products and as such we reserve the right to alter data, specifications and component parts without prior notice. There may be alternative versions of this product, please contact us should you require this information.

IMPORTANT: No liability is accepted for incorrect use of product. Spare parts must be fitted by a competent person

WARRANTY: Guarantee is 12 months from purchase date, proof of which will be required for any claim.

Sealey Group, Kempson Way, Suffolk Business Park, Bury St Edmunds, Suffolk. IP32 7AR



01284 757500



sales@sealey.co.uk



www.sealey.co.uk