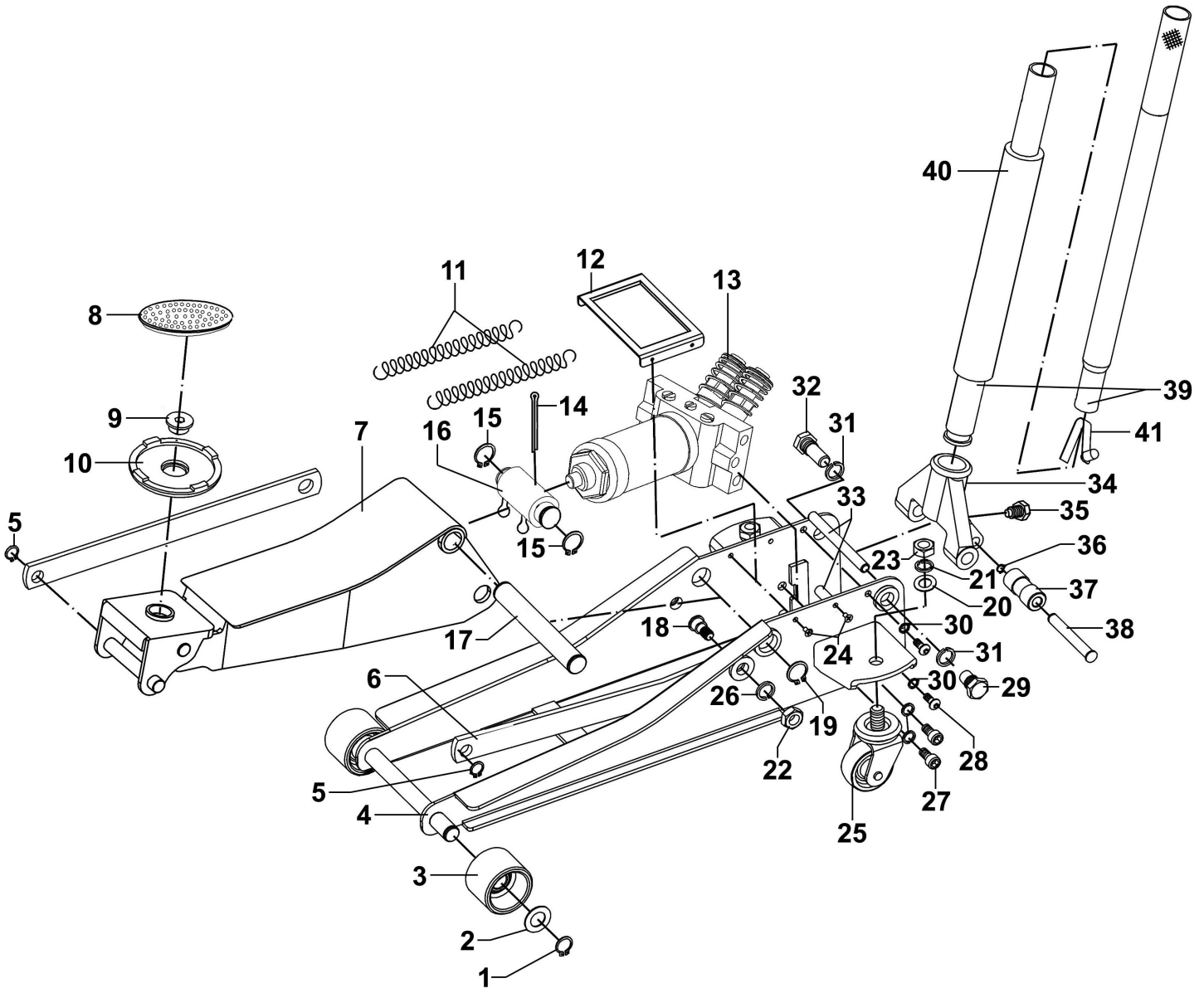




Parts Information:
**Low Entry Rocket Lift Custom Design
 Trolley Jack 2 Tonne
 Model No: 2000 Series**



Item	Part No.	Description	Qty
1	2000CB-01	External Circlip Ø18	2
2	FWM18.S	Flat Washer M18 Zinc	2
3	2000CB-03	Front Wheel	2
4	2000CB-04	Main Frame (2000CB ONLY)	1
4	2000CLE-04	Main Frame (2000CLE ONLY)	1
4	2000CW-04	Main Frame (2000CW ONLY)	1
5	2000CB-05	External Circlip Ø14	2
6	2000CB-06	Link Brace	2
7	2000CB-07	Lifting Arm Assembly (2000CB ONLY)	1

Item	Part No.	Description	Qty
7	2000CLE-07	Lifting Arm Assembly (2000CLE ONLY)	1
7	2000CW-07	Lifting Arm Assembly (2000CW ONLY)	1
8	JP17	Safety Rubber Jack Pad - Type B	1
9	2000CB-09	Saddle Pin	1
10	2000CB-10	Saddle	1
11	2000CB-11	Return Spring	2
12	2000CB-12	Cover Plate	1
13	2000CB-13	Hydraulic Assembly	1

NOTE: It is our policy to continually improve products and as such we reserve the right to alter data, specifications and component parts without prior notice. There may be alternative versions of this product, please contact us should you require this information.

IMPORTANT: No liability is accepted for incorrect use of product. Spare parts must be fitted by a competent person

WARRANTY: Guarantee is 12 months from purchase date, proof of which will be required for any claim.

Sealey Group, Kempson Way, Suffolk Business Park, Bury St Edmunds, Suffolk. IP32 7AR



01284 757500



sales@sealey.co.uk



www.sealey.co.uk



Parts Information:
**Low Entry Rocket Lift Custom Design
Trolley Jack 2 Tonne
Model No: 2000 Series**

Item	Part No.	Description	Qty
14	2000CB-14	Split Pin Ø4 x 35	1
15	2000CB-15	External Circlip Ø19	2
16	2000CB-16	Connecting Rod	1
17	2000CB-17	Shaft for Lifting Arm	1
18	2000CB-18	Link Rod Bolt M10 x 25	2
19	2000CB-19	External Circlip Ø20	2
20	FWM16.S	Flat Washer M16 Zinc	2
21	SWM16.S	Spring Washer M16 Zinc	2
22	SN10.S	Steel Nut M10 Zinc	2
23	SN16.S	Steel Nut M16 Zinc	2
24	MSC515.S	Csk Phillips Machine Screw M5 X 15 Zinc	4
25	2000CB-25	Rear Castor Wheel	2
26	SWM10.S	Spring Washer M10 Zinc	6
27	SCB1020.S	Socket Cap Bolt M10 x 20mm	4
28	BHSS620.S	Button Head Socket Screw M6 X 20 Zinc	4
29	2000CB-29	Side Bolt M18 x 38	1

Item	Part No.	Description	Qty
30	SWM6.S	Spring Washer M6 Zinc	4
31	SWM18.S	Spring Washer M18 Zinc	2
32	2000CB-32	Handle Sleeve Bolt	1
33	2000CB-33	Handle Socket Pin Ø8.8 x 115	2
34	2000CB-34	Handle Socket (2000CB ONLY)	1
34	2000CLE-34	Handle Socket (2000CLE ONLY)	1
34	2000CW-34	Handle Socket (2000CW ONLY)	1
35	2000CB-35	Handle Socket Bolt M12x19	1
36	2000CB-36	External Circlip Ø12	1
37	2000CB-37	Handle Socket Roller	1
38	2000CB-38	Pin for Roller	1
39	2000CB-39	Handle Assembly (2000CB ONLY)	1
39	2000CLE-39	Handle Assembly (2000CLE ONLY)	1
39	2000CW-39	Handle Assembly (2000CW ONLY)	1
40	2000CB-40	Handle Protection Foam	1
41	2000CB-41	Handle Lock Button	1

NOTE: It is our policy to continually improve products and as such we reserve the right to alter data, specifications and component parts without prior notice. There may be alternative versions of this product, please contact us should you require this information.

IMPORTANT: No liability is accepted for incorrect use of product. Spare parts must be fitted by a competent person

WARRANTY: Guarantee is 12 months from purchase date, proof of which will be required for any claim.

Sealey Group, Kempson Way, Suffolk Business Park, Bury St Edmunds, Suffolk. IP32 7AR



01284 757500



sales@sealey.co.uk



www.sealey.co.uk