

Issue: 2
 Date Issued: 15/04/2009

ITEM	PART NO	DESCRIPTION	ITEM	PART NO	DESCRIPTION	ITEM	PART NO	DESCRIPTION
1	SH37304240	SCREW M8X30	18	SH16500300	RUBBER FOOT	34	SH13900340	USE V/A49 V-BELT (A49)
2	SH17500160	WASHER 8x24	19	SH17400100	NUT	35	SH17300900	SCREW D.6X60 R80
3	SH13500920	PULLEY, MOTOR 180MM	20	SH17500110	WASHER	36	SH13400170	BELT GUARD ASSEMBLY
4	SH10701560	MOTOR, 3HP ELECTRIC SOFT START	21	SH13200040	WHEEL	36-1	SH13400171	BELT GUARD (FRONT)
5	SH17500160	WASHER 8x24	22	SH13200160	WHEEL BOLT	36-2	SH13400172	BELT GUARD (REAR)
6	SH17400080	NUT	23	SH15300320	DRAIN VALVE, CONDENSATE	37	SH17300860	SCREW
7	SH17300870	SCREW	24	SH15000060	GAUGE 1/4 (0-20 BAR)	38	SH17500090	WASHER
8	SH37306920	ALLEN BOLT, END CAP	25	SH16902500	EXTENSION (OLD TYPE)	39	SH17300270	BOLT M8x40
9	SH17500210	WASHER	25	SH16903850	EXTENSION, 3/8"MF-50mm (NEW TYPE)	40	SH14300980	AIR PIPE PLASTIC (Not Shown)
10	SH14201450	BELT GUARD BRACKET	26	SH16902170	SCREW 3/8"			
11	SH16903380	CONNECTION 3/8" D.8-10 (OLD TYPE)	27	SH16901890	PLUG, TANK 1/2"BSP			
11	SH16905450	CONNECTION (NEW TYPE)	28	SH14400680	NON RETURN VALVE 1/2" (OLD TYPE)			
12	SH14302490	SENDING TUBE K9-K12 50LTR	28	SH14401450	NON RETURN VALVE 1/2" (NEW TYPE)			
13	SH16500350	PLUG, HANDLE	29	SH12800330	PRESSURE SWITCH			
14	SH1420146D	BASE PLATE	30	SH14400820	SAFETY VALVE (OLD TYPE)			
15	SH11903150	TANK 50LTR	30	SH14401340	SAFETY VALVE (NEW TYPE)			
16	SH17500100	WASHER 10.5 x 21 UNI5739	31	SH16903370	DB SCREW 1/4"			
17	SH37302430	SCREW	32	SH13000330	REGULATOR WITH GAUGE			
			33	SHK0900010	PUMP K9			

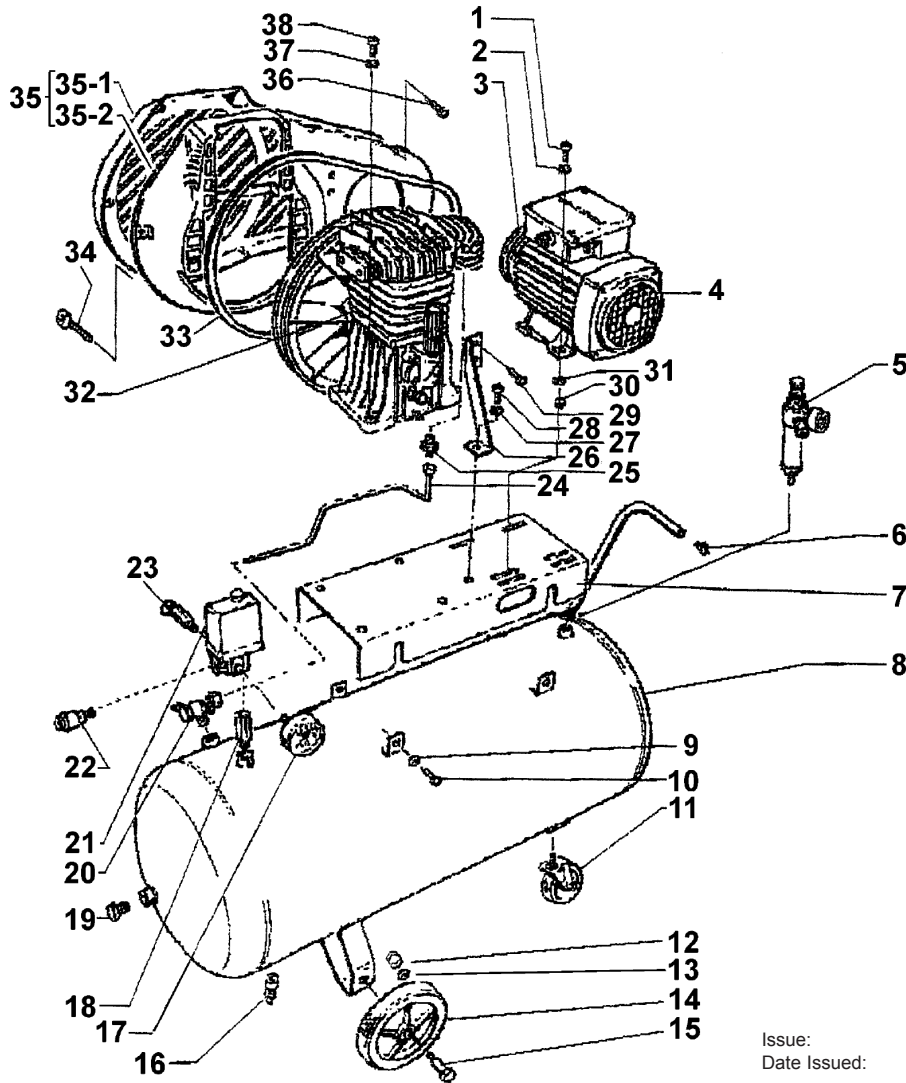
NOTE: "New Type" Parts Came Into Effect 25/09/2007

NOTE: It is our policy to continually improve products and as such we reserve the right to alter data, specifications and component parts without prior notice.

IMPORTANT: No liability is accepted for incorrect use of product.

WARRANTY: Guarantee is 12 months from purchase date, proof of which will be required for any claim.

INFORMATION: For a copy of our latest catalogue and promotions call us on 01284 757525 and leave your full name and address, including postcode.



Issue: 2
 Date Issued: 15/04/2009

ITEM	PART NO	DESCRIPTION	ITEM	PART NO	DESCRIPTION	ITEM	PART NO	DESCRIPTION
1	SH37304240	SCREW M8X30	16	SH15300320	DRAIN VALVE, CONDENSATE	29	SH17300870	SCREW
2	SH17500160	WASHER 8x24	17	SH15000060	GAUGE 1/4 (0-20 BAR)	30	SH17400080	NUT
3	SH13500920	PULLEY, MOTOR 180MM	18	SH16903540	EXTENSION	31	SH17500160	WASHER 8x24
4	SH10701560	MOTOR,3HP ELECTRIC SOFT START	19	SH16901960	2" PLUG	32	SHK0900010	PUMP K9
5	SH13000350	REGULATOR	20	SH14400680	NON RETURN VALVE 1/2" (OLD TYPE)	33	SH13900340	USE V/A49 V-BELT (A49)
6	SH16500350	PLUG,HANDLE	20	SH14401450	NON RETURN VALVE 1/2" (NEW TYPE)	34	SH17300900	SCREW D.6X60 R80
7	SH1420146D	BASE PLATE	21	SH12800330	PRESSURE SWITCH	35	SH13400170	BELT GUARD ASSEMBLY
8	SH11903550	TANK 100ltr	22	SH15300240	TAP	35-1	SH13400171	BELT GUARD FRONT
9	SH17500100	WASHER 10.5 x 21	23	SH14400820	SAFETY VALVE	35-2	SH13400172	BELT GUARD REAR
10	SH37302430	SCREW	24	SH14302470	DELIVERY PIPE 10mm (OLD TYPE)	36	SH17300860	SCREW
11	SH13200130	WHEEL, CASTOR	24	SH14305960	DELIVERY PIPE 14mm (NEW TYPE)	37	SH17500090	WASHER
12	SH17400100	NUT	25	SH16903380	CONNECTION 3/8" D.8-10	38	SH17300270	BOLT M8x40
13	SH17500110	WASHER	26	SH14201450	BELT GUARD BRACKET	39	SH14300980	AIR PIPE PLASTIC (Not Shown)
14	SH13200060	WHEEL	27	SH17500210	WASHER			
15	SH13200160	WHEEL BOLT	28	SH37306920	SCREW M6 x 18			

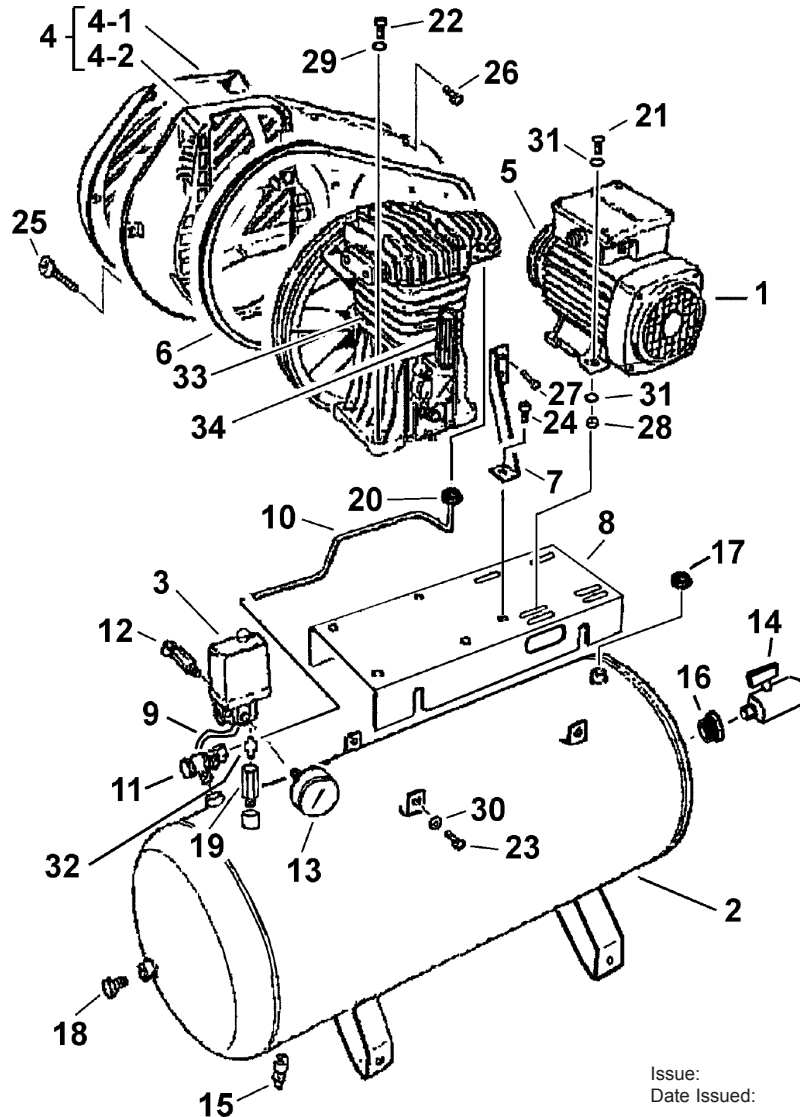
NOTE: "New Type" Parts Came Into Effect 25/09/2007

NOTE: It is our policy to continually improve products and as such we reserve the right to alter data, specifications and component parts without prior notice.

IMPORTANT: No liability is accepted for incorrect use of product.

WARRANTY: Guarantee is 12 months from purchase date, proof of which will be required for any claim.

INFORMATION: For a copy of our latest catalogue and promotions call us on 01284 757525 and leave your full name and address, including postcode.



Issue: 2
 Date Issued: 15/04/2009

ITEM	PART NO	DESCRIPTION	ITEM	PART NO	DESCRIPTION	ITEM	PART NO	DESCRIPTION
1	SH10701560	MOTOR,3HP ELECTRIC SOFT START	13	SH15000060	GAUGE 1/4 (0-20 BAR)	28	SH17400080	NUT
2	SH11902990	TANK 150ltr	14	SH15300260	OUTLET TAP 1/2 BSP	29	SH17500090	WASHER
-	SH11903000	TANK 200ltr	15	SH15300320	DRAIN VALVE, CONDENSATE	30	SH17500100	WASHER 10.5 x 21 UNI5739
3	SH12800330	PRESSURE SWITCH 3/8" CONNECTION	16	SH16901820	REDUCTION 2"-1/2	31	SH17500160	WASHER 8x24
4	SH13400170	BELT GUARD ASSEMBLY	17	SH16901890	PLUG, TANK 1/2"BSP	32	SH16902170	SCREW 3/8"
4.1	SH13400171	BELT GUARD FRONT	18	SH16901060	2" PLUG	33	SHK0900010	PUMP K9
4.2	SH13400172	BELT GUARD REAR	19	SH16903850	EXTENSION M3/8" - M3/8" L.50	34	SH3650020A	OIL PLUG
5	SH13500920	PULLEY, MOTOR 180MM	20	SH16903380	CONNECTION 3/8" D.8-10			
6	SH13900340	USE V/A49 V-BELT (A49)	21	SH37304240	SCREW TE 8X30 UNI 5739			
7	SH14201450	BELT GUARD BRACKET	22	SH17300270	BOLT M8x40			
8	SH14201460	BASE PLATE	23	SH37302430	SCREW			
9	SH14300980	AIR PIPE PLASTIC	24	SH37306920	ALLEN BOLT,END CAP			
10	SH14302730	DELIVERY TUBE 10mm (OLD TYPE)	25	SH17300900	SCREW D.6X60 R80			
-	SH14306020	DELIVERY PIPE 14mm (NEW TYPE)	26	SH17300860	SCREW			
11	SH14400250	NON-RETURN VALVE 3/4" (OLD TYPE)	27	SH17300870	SCREW			
-	SH14400240	NON-RETURN VALVE 3/4" (NEW TYPE)						
12	SH14400820	SAFETY VALVE 1/4" (SA1015)						
-	SH14401350	SAFETY VALVE 3/8" (SA1020)						

NOTE: "New Type" Parts Came Into Effect 25/09/2007

NOTE: It is our policy to continually improve products and as such we reserve the right to alter data, specifications and component parts without prior notice.

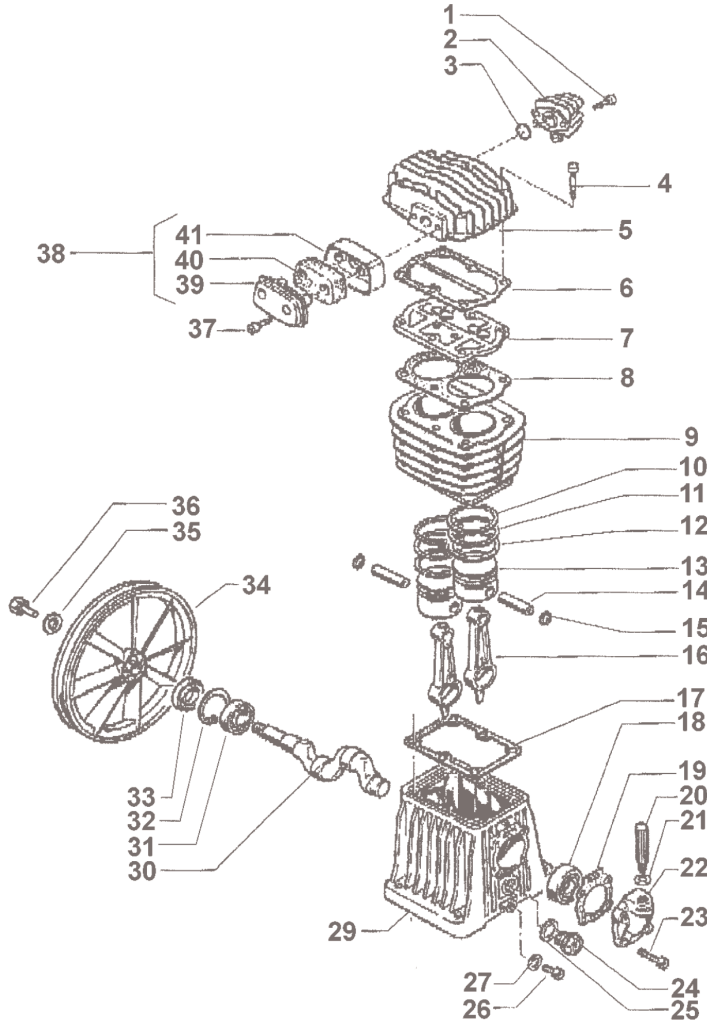
IMPORTANT: No liability is accepted for incorrect use of product.

WARRANTY: Guarantee is 12 months from purchase date, proof of which will be required for any claim.

INFORMATION: For a copy of our latest catalogue and promotions call us on 01284 757525 and leave your full name and address, including postcode.

MODELS: SA1050/3, SA1010/3, SA1015/3.V2 & SA1020/3.V2

4 OF 4



Issue: 2
Date Issued: 15/04/2009

ITEM	PART NO	DESCRIPTION	ITEM	PART NO	DESCRIPTION
1	SH37302480	SCREW	22	SH30406830	CRANK END CAP (OIL FILLER)
2	SH32909080	AFTER COOLER	23	SH37306920	SCREW (OLD TYPE)
3	SH30502510	O-RING	-	SH17300570	SCREW (NEW TYPE)
4	SH37335580	SCREW	24	SH36500140	OIL VIEW GLASS
5	SH31309040	CYLINDER HEAD	25	SH30500130	EYE GLASS WASHER
6	SH30506900	HEAD GASKET	26	SH37303340	DRAIN PLUG
7	SH32706840	VALVE PLATE	27	SH37500670	DRAIN PLUG WASHER
8	SH30506890	GASKET,CYLINDER/VALVE PLATE (OLD TYPE)	29	SH33106800	CRANKCASE
-	SH30509210	GASKET (NEW TYPE)	30	SH30206850	CRANK SHAFT
9	SH31600500	CYLINDER	31	SH30300030	USE B/6205 BEARING
10	SH31203990	COMPRESSION RING	32	SH37607530	CIRCLIP,CRANK
11	SH31203970	SCRAPER RING	33	SH30307540	OIL SEAL
12	SH31203950	SCRAPER RING	34	SH31007280	PULLEY,PUMP
13	SH31208800	PISTON	35	SH37500730	WASHER,PULLEY
14	SH31200700	GUDGEON PIN	36	SH37400720	NUT,PULLEY/CRANKSHAFT
15	SH37600230	CIRCLIP,PISTON	37	SH37307570	BOLT
16	SH31106860	CONNECTING ROD	38	SH15901120	COMPLETE FILTER
17	SH30506880	GASKET,BASE	39	SH35647510	FILTER COVER
18	SH30300030	USE B/6205 BEARING	40	SH15901090	FILTER ELEMENT
19	SH30506870	GASKET,END CAP	41	SH35647520	FILTER CASING
20	SH3650020A	BREATHER (OLD TYPE)			
-	SH3650030A	BREATHER (NEW TYPE)			
21	SH3050016A	GASKET/OIL FILLER			

NOTE: "New Type" Parts Came Into Effect 25/09/2007

NOTE: It is our policy to continually improve products and as such we reserve the right to alter data, specifications and component parts without prior notice.

IMPORTANT: No liability is accepted for incorrect use of product.

WARRANTY: Guarantee is 12 months from purchase date, proof of which will be required for any claim.

INFORMATION: For a copy of our latest catalogue and promotions call us on 01284 757525 and leave your full name and address, including postcode.