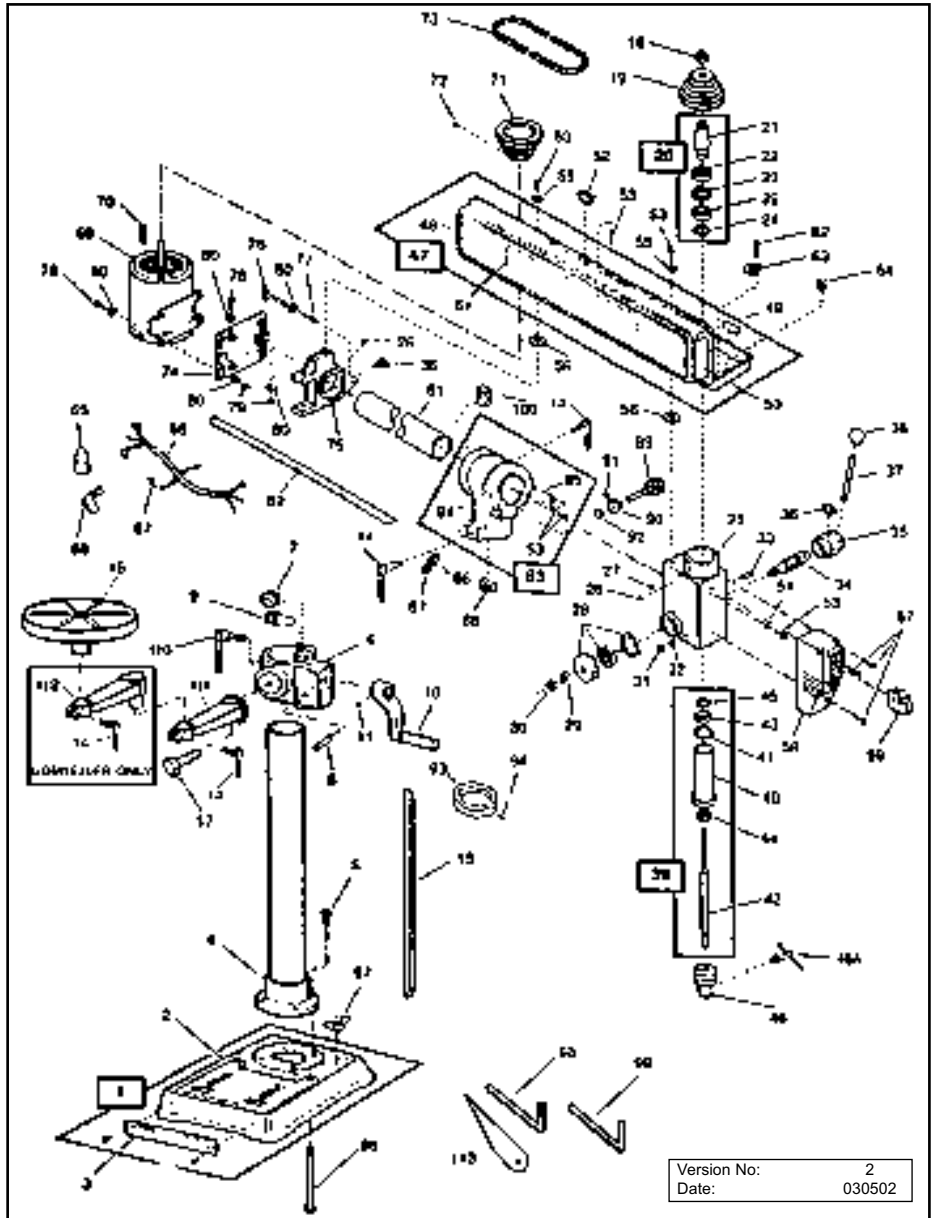


Each part number applies to both models unless otherwise specified.

Item	Part No.	Description
1	GDM790BR/001	Base Asm. - GDM790BR
1	GDM1630FR/001	Base Asm. - GDM1630FR
2	GDM790BR/002	Base - GDM790BR
2	GDM1630FR/002	Base - GDM1630FR
3	GDM790BR/003	Warning Label
4	GDM790BR/004	Column Asm. - GDM790BR
4	GDM1630FR/004	Column Asm. - GDM1630FR
5	GDM790BR/005	Hex. Bolts - GDM790BR
5	GDM1630FR/005	Hex. Bolts - GDM1630FR
6	GDM790BR/006	Table Bracket - GDM790BR
6	GDM1630FR/006	Table Bracket - GDM1630FR
7	GDM790BR/007	Gear, Table Lift - GDM790BR
7	GDM1630FR/007	Gear, Table Lift - GDM1630FR
8	GDM790BR/008	Shaft, Gear - GDM790BR
8	GDM1630FR/008	Shaft, Gear - GDM1630FR
9	GDM790BR/009	Worm Pinion - GDM790BR
9	GDM1630FR/009	Worm Pinion - GDM1630FR
10	GDM790BR/010	Lift Handle
11	GDM790BR/011	Set Screw
14	GDM790BR/014	Lock Handle
15	GDM790BR/015	Rack, Vertical - GDM790BR
15	GDM1630FR/015	Rack, Vertical - GDM1630FR
16	GDM790BR/016	Table
17	GDM790BR/017	Socket Screw - GDM790BR
17	GDM1630FR/017	Hex. Bolt - GDM1630FR
18	GDM790BR/018	Set Nut, Pulley
19	GDM790BR/019	Pulley, Spindle
20	GDM790BR/020	Drive Sleeve Asm.
21	GDM790BR/021	Drive Sleeve
22	GDM790BR/022	Bearing
23	GDM790BR/023	Spacer, Bearing
24	GDM790BR/024	Retaining Ring, External
25	GDM790BR/025	Spindle Housing Asm.
26	GDM790BR/026	Set Screw
27	GDM790BR/027	Set Screw
28	GDM790BR/028	Spring, Cap & Retainer
29	GDM790BR/029	Hex. Nut
30	GDM790BR/030	Hex. Nut
31	GDM790BR/031	Hex. Nut
32	GDM790BR/032	Set Screw, Dog Point
33	GDM790BR/033	Stop Pin
34	GDM790BR/034	Feed Shaft Asm.
35	GDM790BR/035	Depth Gauge Asm.
36	GDM790BR/036	Butterfly Set Screw
37	GDM790BR/037	Rod, Handle
38	GDM790BR/038	Knob, Handle
39	GDM790BR/039	Quill Asm.
40	GDM790BR/040	Quill
41	GDM790BR/041	Washer, Rubber
42	GDM790BR/042	Spindle Shaft
43	GDM790BR/043	Bearing
44	GDM790BR/044	Bearing
45	GDM790BR/045	Retaining Ring, External
46	GDM790BR/046	Chuck
46A	GDM790BR/046A	Chuck Key
47	GDM790BR/047	Pulley Cover Asm.
48	GDM790BR/048	Pulley Cover
49	GDM790BR/049	Buffers, Rubber
50	GDM790BR/050	Label
51	GDM790BR/050	Belt Speed Label
52	GDM790BR/052	Knob, Pulley Cover
53	GDM790BR/053	Pan Head Screw
54	GDM790BR/054	Washer, Star
55	GDM790BR/055	Washer, Flat
56	GDM790BR/056	Washer, Rubber
57	GDM790BR/057	Pan head Screw
58	GDM790BR/058	Switch Cover
59	GDM790BR/059	Switch
62	GDM790BR/062	Pan Head Screw
63	GDM790BR/063	Cable Clamp
64	GDM790BR/064	Bush, Right Angle
65	GDM790BR/065	Cable Gland
66	GDM790BR/066	Switch Cable
67	GDM790BR/067	Cable Tie
68	GDM790BR/068	Female Connector
69	GDM790BR/069	Motor
70	GDM790BR/070	Key, Square Drive
71	GDM790BR/071	Pulley, Motor
72	GDM790BR/072	Socket Head Screw
73	GDM790BR/073	V-Belt
74	GDM790BR/074	Motor Bracket
75	GDM790BR/075	Cover Mount
76	GDM790BR/076	Push Tee
77	GDM790BR/077	Spring
78	GDM790BR/078	Hex.Head Bolt
79	GDM790BR/079	Hex. Lock Nut
80	GDM790BR/080	Washer, Flat
81	GDM790BR/081	Horizontal Tube
82	GDM790BR/082	Horizontal Rack



Item	Part No.	Description
83	GDM790BR/083	Column Head Asm. - GDM790BR
83	GDM1630FR/083	Column Head Asm. - GDM1630FR
84	GDM790BR/084	Column Head - GDM790BR
84	GDM1630FR/084	Column Head - GDM1630FR
85	GDM790BR/085	Angle Gauge
86	GDM790BR/086	Hex. Jam Nut
87	GDM790BR/087	Vertical Lock
88	GDM790BR/088	Lock Shoe
89	GDM790BR/089	Knob Asm., Horizontal Feed
90	GDM790BR/090	Horizontal Feed Gear
91	GDM790BR/091	Set Screw
92	GDM790BR/092	Retaining Ring, External
93	GDM790BR/093	Rack Ring
94	GDM790BR/094	Set Screw
96	GDM790BR/096	Carriage Bolt
97	GDM790BR/097	Wing Nut
98	GDM790BR/098	Hex. Key
99	GDM790BR/099	Hex. Key
100	GDM790BR/100	Lock Shoe
110	GDM790BR/014	Lock Handle - GDM790BR
110	GDM1630FR/110	Lock Handle - GDM1630FR
111	GDM790BR/111	Table Arm - GDM790BR
111	GDM1630FR/111	Table Arm - GDM1630FR
112	GDM1630FR/112	Table Arm, Outer - GDM1630FR
113	GDM790BR/113	Wedge

Version No: 2
Date: 030502



01284 757500



01284 703534

E-mail: sales@sealey.co.uk