



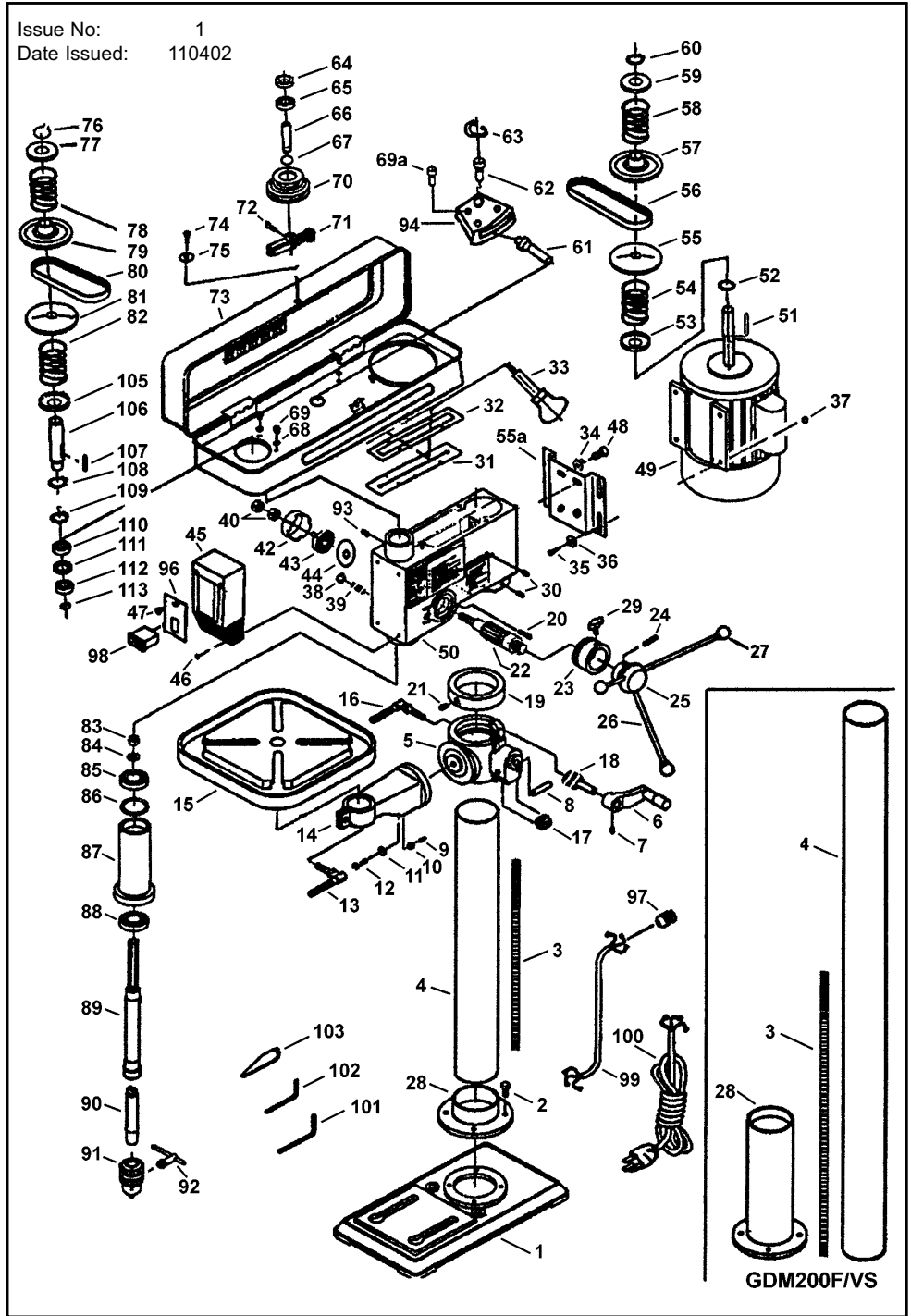
Parts List for:

VARIABLE SPEED PILLAR DRILLS

Models: **GDM150B/VS & GDM200F/VS**

Part numbers apply to both models except where specified in the description.

Item	Part No.	Description
1	GDM200FX/001	Base
2	GDM160FX/002	Bolt
3	GDM150BX/003	Rack(GDM150B/VS)
3	GDM200FX/003	Rack GDM200B/VS)
4	GDM150B/004	Column (GDM150B/VS)
4	GDM200FX/004	Column (GDM200B/VS)
5	GDM200FX/005	Table Bracket
6	GDM92B/12	Handle
7	GDM200FX/007	Set Screw
8	GDM200FX/008	Shaft
9	GDM50BX/074	Pin
10	GDM50BX/075	Nut
11	GDM50BX/076	Washer
12	GDM50BX/077	Bolt
13	GDM92B/15A	Table Bolt
14	GDM200FX/014	Table Arm
15	GDM160FX/015	Table
16	GDM160FX/016	Clamp Bolt
17	GDM200FX/017	Gear
18	GDM200FX/018	Worm Gear
19	GDM200FX/019	Rack Ring
20	GDM160FX/020	Pin Stop
21	GDM92B/05	Set Screw
22	GDM200FX/022	Feed Shaft
23	GDM200FX/023	Scale Ring
24	GDM160FX/024	Roll Pin
25	GDM150BVS.025	Handle Body
26	GDM200FX/026	Handle
27	GDM200FX/027	Knob
28	GDM150BVS.028	Column Shoulder (GDM150B/VS)
28	GDM200FVS.028	Column Shoulder (GDM200B/VS)
29	GDM92B/29	Clamp Bolt
30	GDM160FX/030	Set Screw
31	GDM150BVS.031	Seal
32	GDM150BVS.032	Seal Plate
33	GDM150BVS.033	Clamp Handle
34	GDM150BVS.034	Washer
35	GDM92B/55	Bolt
36	GDM92B/56	Washer
37	GDM92B/57	Nut
38	GDM160FX/038	Nut
39	GDM160FX/039	Set Screw, Special
40	GDM150BVS.040	Nut
42	GDM160FX/042	Spring Cap
43	GDM160FX/043	Torsion Spring
44	GDM160FX/044	Spring Cover
45	GDM150BVS.045	Switch Box
46	GDM150BVS.046	Screw
47	GDM150BVS.047	Screw
48	GDM150BVS.048	Bolt
49	GDM150BVS.049	Motor
50	GDM150BVS.050	Body
51	GDM150BVS.051	Key
52	GDM150BVS.052	Circlip
53	GDM150BVS.053	Spring Cap
54	GDM150BVS.054	Spring
55	GDM150BVS.055	Pulley
55a	GDM150BVS.055a	Motor Base
56	GDM150BVS.056	Belt
57	GDM150BVS.057	Pulley
58	GDM150BVS.058	Spring
59	GDM150BVS.059	Spring Cap
60	GDM150BVS.060	Circlip
61	GDM150BVS.061	Collar
62	GDM150BVS.062	Shaft
63	GDM150BVS.063	Circlip
64	GDM150BVS.064	Bearing
65	B/6202-2RS	Bearing
66	GDM150BVS.066	Centre Shaft
67	GDM150BVS.067	Circlip
68	GDM92B/69	Washer
69	GDM92B/68	Screw
69a	GDM150BVS.69a	Bolt
70	GDM150BVS.070	Centre Pulley
71	GDM150BVS.071	Speed Bar Seat
72	GDM150BVS.072	Screw
73	GDM150BVS.073	Pulley Cover
74	GDM150BVS.074	Bolt
75	GDM150BVS.075	Washer
76	GDM150BVS.076	Circlip
77	GDM150BVS.077	Spring Cap
78	GDM150BVS.078	Spring
79	GDM150BVS.079	Pulley
80	GDM150BVS.080	Belt
81	GDM150BVS.081	Pulley
82	GDM150BVS.082	Spring
83	GDM200FX/083	Round Nut
84	GDM200FX/084	Washer
85	B/6205-2RS	Bearing
86	GDM200FX/086	Rubber Washer
87	GDM200FX/087	Spindle Sleeve
88	B/6203-2RS	Bearing
89	GDM200FX/089	Spindle
90	GDM200FX/090	Arbor
91	GDM200FX/091	Chuck
92	GDM200FX/092	Key Chuck
93	GDM150BVS.093	Screw
94	GDM150BVS.094	Centre Pulley Base
96	GDM150BVS.096	Switch Base
97	GDM150BVS.097	Grommet
98	GDM150BVS.098	Switch
99	GDM150BVS.099	Motor Cable
100	GDM150BVS.100	Power Cable
101	GDM150BVS.101	Wrench
102	GDM150BVS.102	Wrench
103	GDM150BVS.103	Wedge
105	GDM150BVS.105	Spring Cap
106	GDM150BVS.106	Shaft Sleeve
107	GDM150BVS.107	Key
108	GDM150BVS.108	Circlip
109	GDM150BVS.109	Circlip
110	GDM150BVS.110	Bearing
111	GDM150BVS.111	Collar
112	GDM150BVS.112	Bearing
113	GDM150BVS.113	Circlip



Item	Part No.	Description	Item	Part No.	Description
84	GDM200FX/084	Washer	99	GDM150BVS.099	Motor Cable
85	B/6205-2RS	Bearing	100	GDM150BVS.100	Power Cable
86	GDM200FX/086	Rubber Washer	101	GDM150BVS.101	Wrench
87	GDM200FX/087	Spindle Sleeve	102	GDM150BVS.102	Wrench
88	B/6203-2RS	Bearing	103	GDM150BVS.103	Wedge
89	GDM200FX/089	Spindle	105	GDM150BVS.105	Spring Cap
90	GDM200FX/090	Arbor	106	GDM150BVS.106	Shaft Sleeve
91	GDM200FX/091	Chuck	107	GDM150BVS.107	Key
92	GDM200FX/092	Key Chuck	108	GDM150BVS.108	Circlip
93	GDM150BVS.093	Screw	109	GDM150BVS.109	Circlip
94	GDM150BVS.094	Centre Pulley Base	110	GDM150BVS.110	Bearing
96	GDM150BVS.096	Switch Base	111	GDM150BVS.111	Collar
97	GDM150BVS.097	Grommet	112	GDM150BVS.112	Bearing
98	GDM150BVS.098	Switch	113	GDM150BVS.113	Circlip



01284 757500



01284 703534

E-mail: sales@sealey.co.uk