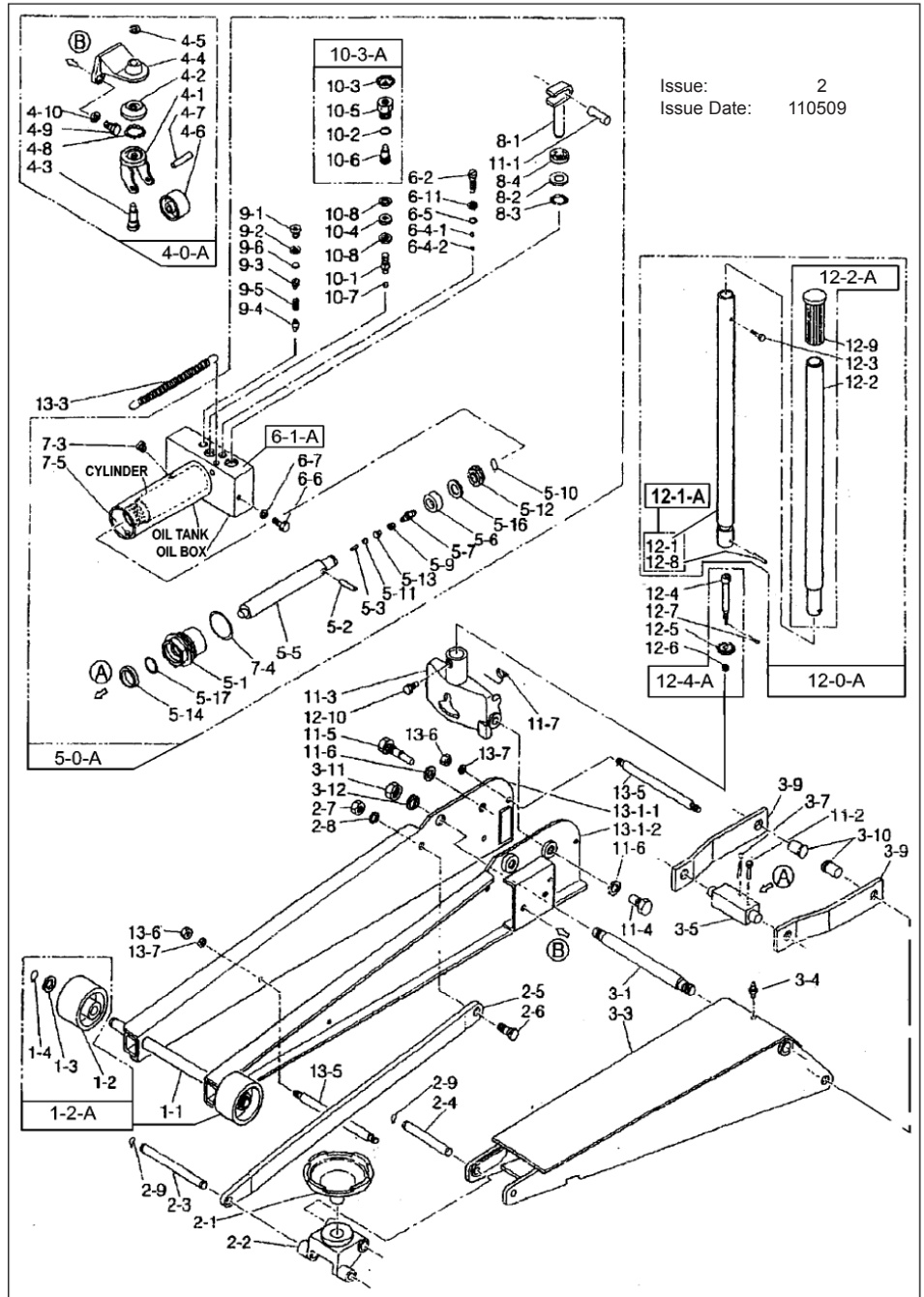


PARTS FOR:  
**TROLLEY JACK 1.5ton HIGH LIFT**  
**MODEL: 2150HL.V2**

ITEM	PART NO.	DESCRIPTION
1-1	2150HLY/1-1	Front Wheel Shaft
<b>1-2-A</b>	<b>2150HLY1-2-A</b>	<b>Front Wheel Assembly</b>
1-2	2150HLY/1-2	Front Wheel
1-3	2150HLY/1-3	Washer
1-4	2150HLY/1-4	Snap Ring
2-1	2150HLY/2-1	Saddle
2-2	2150HLY/2-2	Saddle Base
2-3	2150HLY/2-3	Link Rod Pin (saddle)
2-4	2150HLY/2-4	Arm Pin (saddle)
2-5	2150HLY/2-5	Link Rod
2-6	2150HLY/2-6	Link Rod Pin
2-7	2150HLY/2-7	Nut
2-8	2150HLY/2-8	Spring Washer
2-9	2150HLY/2-9	Snap Ring
3-1	2150HLY/3-1	Arm Pin
3-3	2150HLY/3-3	Arm
3-4	2150HLY/3-4	Grease Nipple
3-5	2150HLY/3-5	Piston Connecting Joint
3-7	2150HLY/3-7	Cotter Pin
3-9	2150HLY/3-9	Tension Rod
3-10	2150HLY/3-10	Tension Rod Pin
3-11	2150HLY/3-11	Nut
3-12	2150HLY/3-12	Spring Washer
<b>4-0-A</b>	<b>2150HLY/4-0-A</b>	<b>Castor Assembly</b>
4-1	2150HLY/4-1	Castor Fork
4-2	2150HLY/4-2	Bearing Race
4-3	2150HLY/4-3	Stem
4-4	2150HLY/4-4	Bracket
4-5	2150HLY/4-5	Washer
4-6	2150HLY/4-6	Rear Wheel
4-7	2150HLY/4-7	Axle
4-8	2150HLY/4-8	Steel Ball
4-9	2150HLY/4-9	Bolt
4-10	2150HLY/4-10	Spring Washer
<b>5-0-A</b>	<b>2150HLY/5-0-A</b>	<b>Power Unit Assembly</b>
5-1	2150HLY/5-1	Tank Nut
5-2	2150HLY/5-2	By-pass Bar
5-3	2150HLY/5-3	By-pass Rod
5-5	2150HLY/5-5	Piston Rod
5-6	2150HLY/5-6	Piston Packing Retainer
5-7	2150HLY/5-7	By-Pass Filter
5-9	2150HLY/5-9	Spring
5-10	2150HLY/5-10	Snap Ring
5-11	2150HLY/5-11	Steel Ball
5-12	2150HLY/5-12	U-Type Packing
5-13	2150HLY/5-13	Spring Retainer
5-14	2150HLY/5-14	Oil Seal
5-16	2150HLY/5-16	Back-up Ring
5-17	2150HLY/5-17	O-Ring
<b>6-1-A</b>	<b>2150HLY/6-1-A</b>	<b>Oil Box Assembly</b>
6-2	2150HLY/6-2	Bolt
6-4-1	2150HLY/6-4-1	Steel Ball
6-4-2	2150HLY/6-4-2	Steel Ball
6-5	2150HLY/6-5	O-Ring
6-6	2150HLY/6-6	Bolt
6-7	2150HLY/6-7	Spring Washer
6-11	2150HLY/6-11	Back-up Ring
7-3	2150HLY/7-3	Rubber Plug
7-4	2150HLY/7-4	O-Ring
7-5	2150HLY/7-5	Magnet
8-1	2150HLY/8-1	Pump Plunger
8-2	2150HLY/8-2	Back-up Ring
8-3	2150HLY/8-3	O-Ring
8-4	2150HLY/8-4	Oil Seal
9-1	2150HLY/9-1	Bolt
9-2	2150HLY/9-2	Packing
9-3	2150HLY/9-3	Spring Retainer
9-4	2150HLY/9-4	Safety Valve
9-5	2150HLY/9-5	Spring
9-6	2150HLY/9-6	Packing
10-1	2150HLY/10-1	Release Valve
<b>10-3-A</b>	<b>2150HLY/10-3A</b>	<b>Gear Assembly</b>
10-4	2150HLY/10-4	Collar
10-7	2150HLY/10-7	Steel Ball



Issue: 2  
 Issue Date: 110509

ITEM	PART NO.	DESCRIPTION	ITEM	PART NO.	DESCRIPTION
10-8	2150HLY/10-8	Copper packing	<b>12-4-A</b>	<b>2150HLY/12-4A</b>	<b>Connecting Rod Assy</b>
11-1	2150HLY/11-1	Pin-Plunger	12-4	2150HLY/12-4	Connecting Rod
11-2	2150HLY/11-2	Rivet	12-5	2150HLY/12-5	Gear
11-3	2150HLY/11-3	Handle Fork	12-6	2150HLY/12-6	Nut
11-4	2150HLY/11-4	Handle Shaft Short	12-7	2150HLY/12-7	Cotter Pin
11-5	2150HLY/11-5	Handle Shaft Long	12-8	2150HLY/12-8	Spring Pin
11-6	2150HLY/11-6	Spring Washer	12-9	2150HLY/12-9	Grip
11-7	2150HLY/11-7	Spring	13-1-1	2150HLY/13-11	Frame (RH)
<b>12-0-A</b>	<b>2150HLY/12-0A</b>	<b>Handle Assembly</b>	13-1-2	2150HLY/13-12	Frame (LH)
<b>12-1-A</b>	<b>2150HLY/12-1A</b>	<b>Handle Lower</b>	13-3	2150HLY/13-3	Spring
12-1	2150HLY/12-1	Pipe	13-5	2150HLY/13-5	Stopper Shaft
<b>12-2-A</b>	<b>2150HLY/12-2A</b>	<b>Handle Upper Assy</b>	13-6	2150HLY/13-6	Nut
12-2	2150HLY/12-2	Pipe	13-7	2150HLY/13-7	Spring Washer
12-3	2150HLY/12-3	Bolt		2150HLY/RK	Repair Kit

**NOTE:** It is our policy to continually improve products and as such we reserve the right to alter data, specifications and component parts without prior notice.

**IMPORTANT:** No liability is accepted for incorrect use of product.

**WARRANTY:** Guarantee is 12 months from purchase date, proof of which will be required for any claim.

**INFORMATION:** For a copy of our latest catalogue and promotions call us on 01284 757525 and leave your full name and address, including postcode.