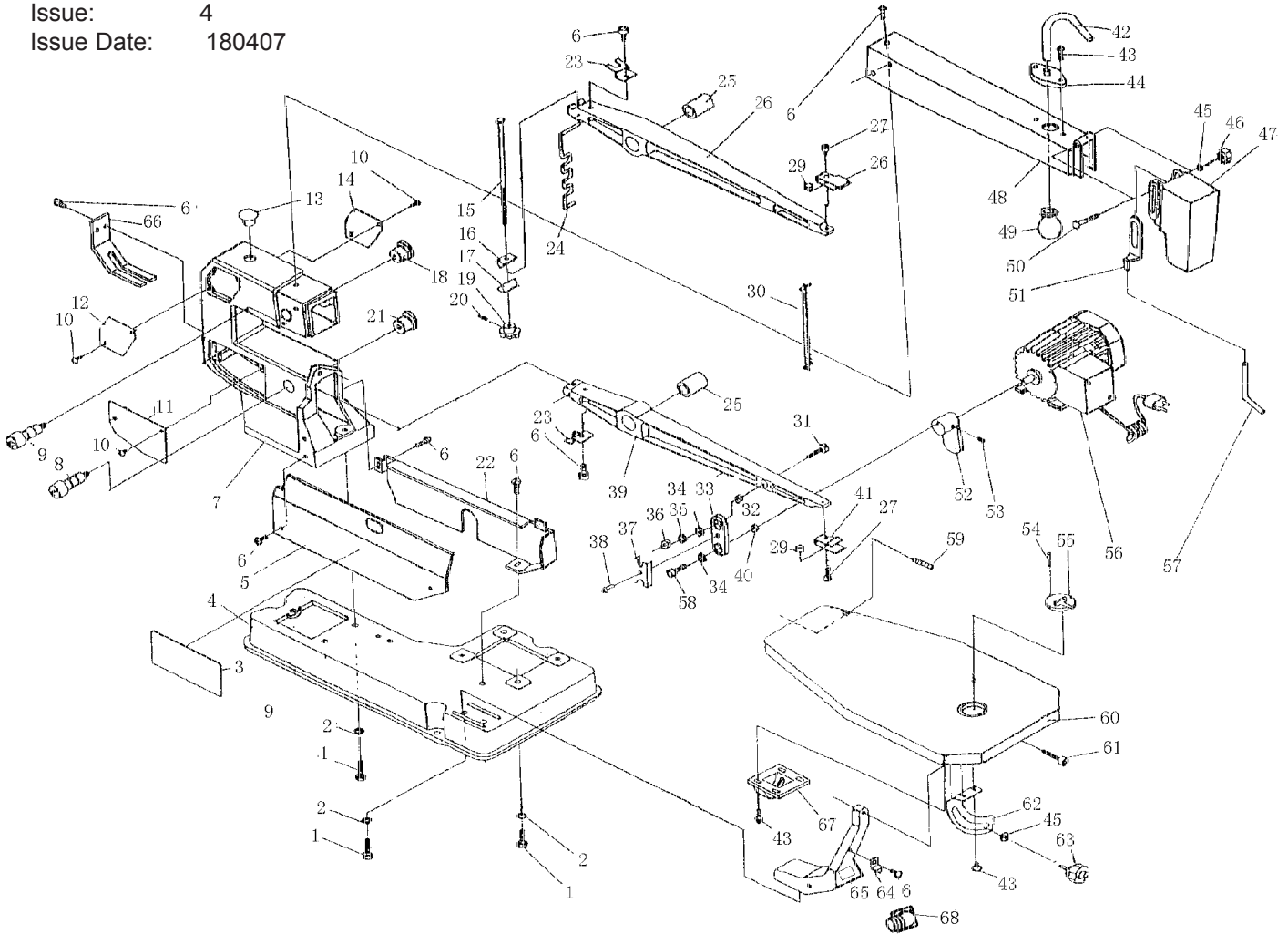


Issue: 4
Issue Date: 180407



ITEM	PART NO	DESCRIPTION	ITEM	PART NO	DESCRIPTION	ITEM	PART NO	DESCRIPTION
1	SM43.V2-01	Bolt	28	SM43.V2-28	Upper Blade Holder	47	SM43.V3-47	Blade Guard (BLUE)
2	SM43.V2-02	Washer	29	SM43.V2-29	Collar	48	SM43.V3-48	Arm Cover (BLUE)
4	SM43.V3-04	Base (BLUE)	30	SM43B10	Blade 10tpi Pack of 12	49	SM43.V2-49	Air Diaphragm
5	SM43.V3-05	Cover (Left) BLUE	30	SM43B15	Blade 15tpi Pack of 12	50	SM43.V2-50	Bolt
6	SM43.V2-06	Screw	30	SM43B20	Blade 20tpi Pack of 12	51	SM43.V2-51	Holder
7	SM43.V3-07	Body (BLUE)	30	SM43B25	Blade 25tpi Pack of 12	52	SM43.V2-52	Eccentric
8	SM43.V2-08	Pin Shaft	31	SM43.V2-31	Screw	53	SM43.V2-53	Screw
9	SM43.V2-09	Pin Shaft	32	SM43.V2-32	Washer	54	SM43.V2-54	Spring Pin
10	SM43.V2-10	Screw	33	SM43.V2-33	Connecting Rod	55	SM43.V2-55	Table Insert
13	SM43.V2-13	Plug	34	SM43.V2-34	Bushing	56	SM43.V2-56	Motor
14	SM43.V2-15	Bolt	35	SM43.V2-35	Spring Washer	57	SM43.V2-57	Brass Tube
16	SM43.V2-16	Bolster	36	SM43.V2-36	Nut	58	SM43.V2-58	Screw
17	SM43.V2-17	Bolster	37	SM43.V2-37	Retainer	59	SM43.V2-59	Screw
18	SM43.V2-18	Plug	38	SM43.V2-38	Screw	60	SM43.V3-60	Table (BLUE)
19	SM43.V2-19	Locking Knob	39	SM43.V2-39	Short Arm	61	SM43.V2-61	Screw
20	SM43.V2-20	Pin	40	SM43.V2-40	Washer	62	SM43.V2-62	Mitre Scale
21	SM43.V2-21	Plug	41	SM43.V2-41	Lower Blade Holder	63	SM43.V2-63	Clamp Ass'y
22	SM43.V3-22	Cover (Right) BLUE	42	SM43.V2-42	Tubing	64	SM43.V2-64	Indicator
23	SM43.V2-23	Retainer	43	SM43.V2-43	Screw	65	SM43.V2-65	Bracket
24	SM43.V2-24	Spring	44	SM43.V2-44	Pad	66	SM43.V2-66	Retainer Plate
25	SM43.V2-25	Bushing	45	SM43.V2-45	Washer	67	SM43.V2-67	Lower Guard
26	SM43.V2-26	Upper Arm	46	SM43.V2-46	Nut	68	SM43.V3-68	Dust Chute
27	SM43.V2-27	Screw	47	SM43.V3-47	Blade Guard (BLUE)			

NOTE: It is our policy to continually improve products and as such we reserve the right to alter data, specifications and component parts without prior notice.

IMPORTANT: No liability is accepted for incorrect use of product.

WARRANTY: Guarantee is 12 months from purchase date, proof of which will be required for any claim.

INFORMATION: For a copy of our latest catalogue and promotions call us on 01284 757525 and leave your full name and address, including postcode.