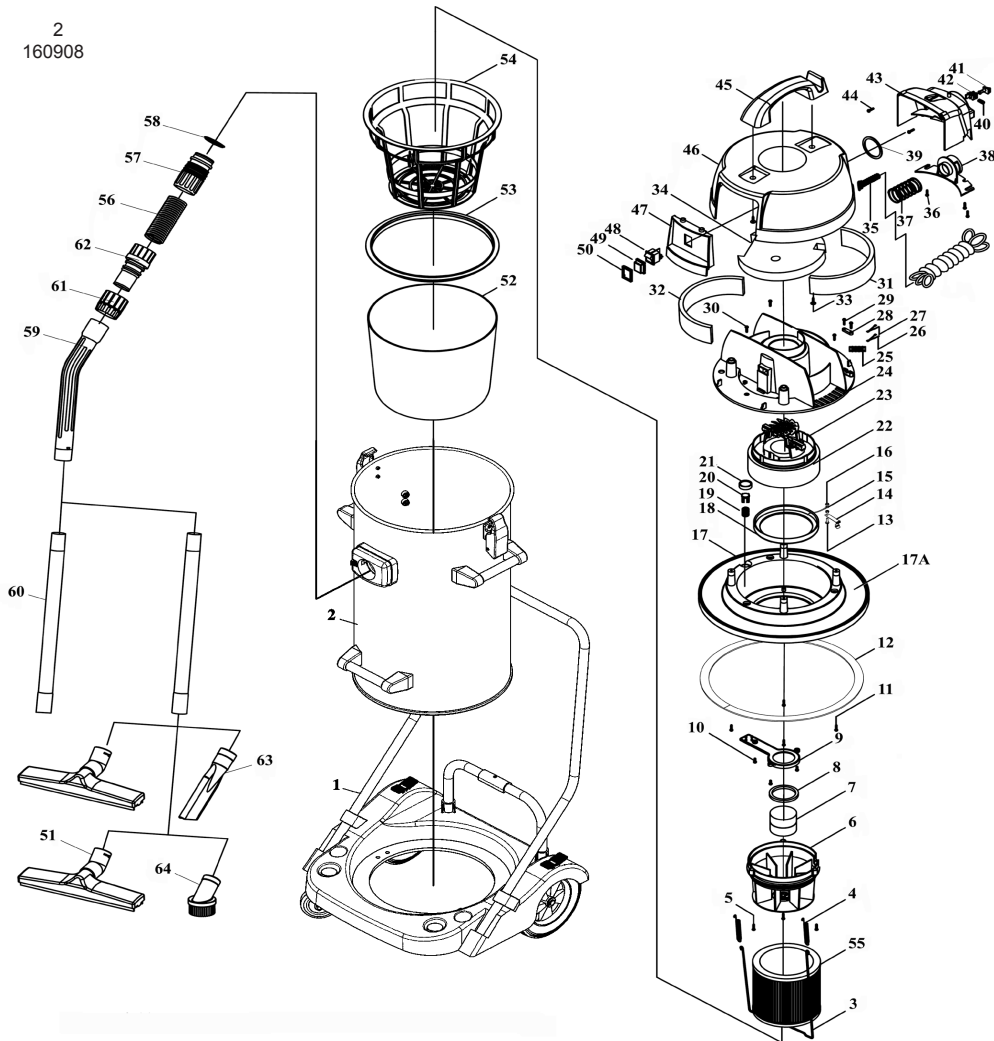
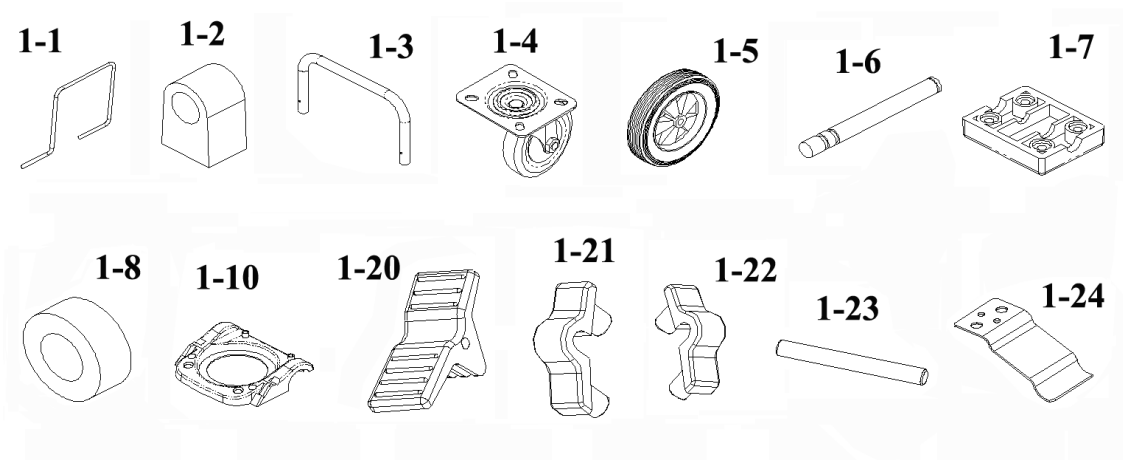


## PARTS DIAGRAM

Issue: 2  
 Issue Date: 160908



## TROLLEY PARTS



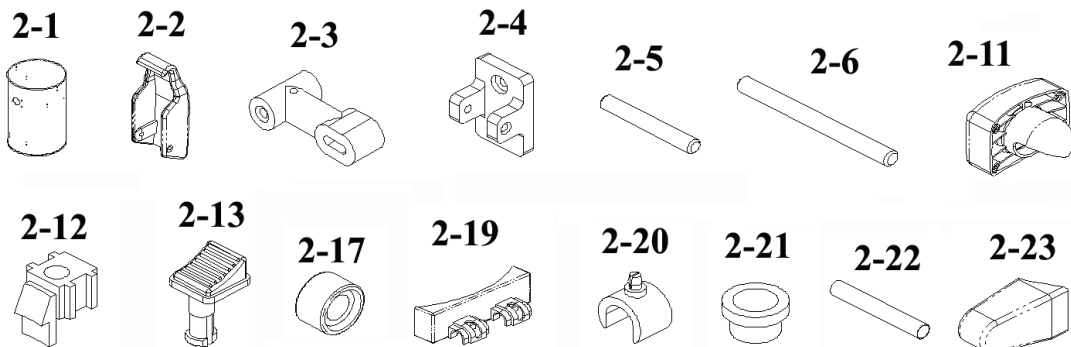
**NOTE:** It is our policy to continually improve products and as such we reserve the right to alter data, specifications and component parts without prior notice.

**IMPORTANT:** No liability is accepted for incorrect use of product.

**WARRANTY:** Guarantee is 12 months from purchase date, proof of which will be required for any claim.

**INFORMATION:** For a copy of our latest catalogue and promotions call us on 01284 757525 and leave your full name and address, including postcode.

## TANK PARTS



## PARTS LIST

Item	Part No	Description	Item	Part No	Description
<b>1</b>	<b>PC455.01</b>	<b>TROLLEY ASS'Y</b>	19	PC455.03-18	SPRING
1-1	PC455.01-1	HANDLE	20	PC455.03-19	CLIP
1-2	PC455.01-2	HOLDER	21	PC455.03-20	PLUG
1-3	PC455.01-3	SUPPORT HANDLE	22	PC455.03-21	SPONGE
1-4	PC455.01-4	CASTOR WHEEL	23	PC455.03-22	MOTOR
1-5	PC455.01-5	FIXED WHEEL	24	PC455.03-23	MIDDLE MOTOR BASE
1-6	PC455.01-6	SHAFT	25	PC455.03-24	TERMINAL BLOCK
1-7	PC455.01-7	PLATE	26	PC455.03-25	WIRE "A"
1-8	PC455.01-8	HOLDER	27	PC455.03-26	WIRE "B"
1-10	PC455.01-10	TROLLEY BASE	28	PC455.03-27	PLATE
1-20	PC455.01-20	PEDAL	29	PC455.03-28	SCREW (3.5x12)
	PC455.01-20A	SPRING	30	PC455.03-29	SCREW (M5x20)
1-21	PC455.01-21	HOLDER, LEFT	31	PC455.03-30	SPONGE "C"
1-22	PC455.01-22	HOLDER, RIGHT	32	PC455.03-31	SPONGE "B"
1-23	PC455.01-23	PIN	33	PC455.03-32	SCREW (1/4" x 15)
1-24	PC455.01-24	BRAKE PLATE	34	PC455.03-33	SPONGE "A"
			35	PC455.03-35	CORD HOLDER
<b>2</b>	<b>PC455.02</b>	<b>TANK ASS'Y</b>	36	PC455.03-36	SCREW (M4x16)
2-1	PC455.02-1	TANK	37	PC455.03-37	SPRING
2-2	PC455.02-2	TANK CLIP	38	PC455.03-38	HOLDER
2-3	PC455.02-3	HOLDER	39	PC455.03-39	GASKET
2-4	PC455.02-4	BASE	40	PC455.03-40	SPRING
2-5	PC455.02-5	PIN, SHORT	41	PC455.03-41	BUTTON
2-6	PC455.02-6	PIN, LONG	42	PC455.03-42	HOLDER
2-11	PC455.02-11	SUCTION COUPLER	43	PC455.03-43	HOLDER
2-12	PC455.02-12	HOLDER	44	PC455.03-44	SCREW (M4x16)
2-13	PC455.02-13	BUTTON	45	PC455.03-45	HANDLE
2-17	PC455.02-17	HOLDER	46	PC455.03-46	TOP COVER
2-19	PC455.02-19	CLIP	47	PC455.03-47	FRONT COVER
2-20	PC455.02-20	FIXED HOLDER	48	PC455.03-48	SWITCH
2-21	PC455.02-21	KNOB	49	PC455.03-49	TRANSPARENT COVER
2-22	PC455.02-22	HANDLE	50	PC455.03-50	TRANSPARENT COVER
2-23	PC455.02-23	HANDLE HOLDER			
	<b>PC455.03</b>	<b>TOP HEAD ASSEMBLY</b>	52	<b>PC455.CF</b>	<b>CLOTH FILTER FOR PC455</b>
3	PC455.03-1	HOOK	53	PC455.04-1	CLOTH
4	PC455.03-3	HOOK	54	PC455.04-2	GASKET
5	PC455.03-4	SCREW		PC455.04-3	FRAME
6	PC455.03-5	FRAME	51	PC455.06	BRUSH NOZZLE COMPLETE
7	PC455.03-6	FLOAT	55	PC455.PF	CARTRIDGE FILTER FOR PC455
8	PC455.03-7	GASKET	56	PC455.05-1	HOSE 3m
9	PC455.03-8	HOLDER	57	PC455.05-2	CONNECTOR
10	PC455.03-9	SCREW (M4x10)	58	PC455.05-3	SEAL
11	PC455.03-10	SCREW (M4x18)	59	PC455.05-4	ELBOW CONNECTOR
12	PC455.03-11	SEAL	60	PC455.05-5	TUBE EXTENSION
13	PC455.03-12	SCREW	61	PC455.05-6	CONNECTOR
14	PC455.03-13	PLATE	62	PC455.05-7	CONNECTOR
15	PC455.03-14	WIRE	63	PC455.05-8	CRVICE TOOL
16	PC455.03-15	NUT	64	PC455.05-9	ROUND BRUSH
17	PC455.03-16	MOTOR BASE		PC455AK1	FRONT MOUNTED SQUEEGEE
17A	PC455.03-16A	SEAL			FOR PC455 (not shown)
18	PC455.03-17	GASKET			

**NOTE:** It is our policy to continually improve products and as such we reserve the right to alter data, specifications and component parts without prior notice.

**IMPORTANT:** No liability is accepted for incorrect use of product.

**WARRANTY:** Guarantee is 12 months from purchase date, proof of which will be required for any claim.

**INFORMATION:** For a copy of our latest catalogue and promotions call us on 01284 757525 and leave your full name and address, including postcode.