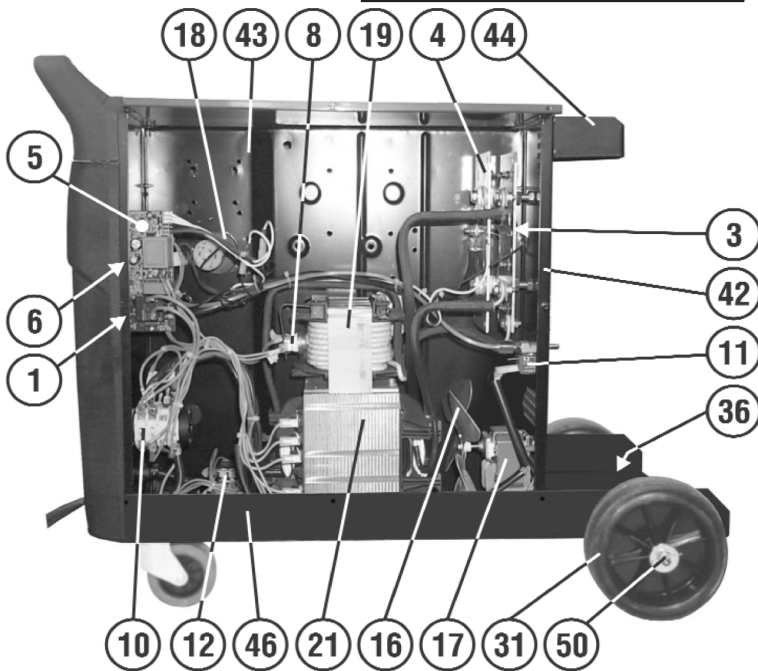
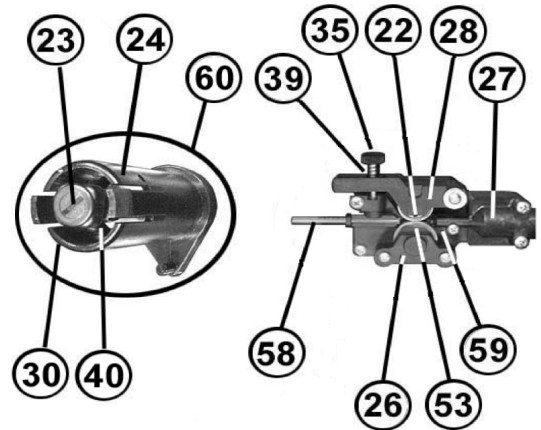


Issue: 4  
Date Issued: 11/04/2008



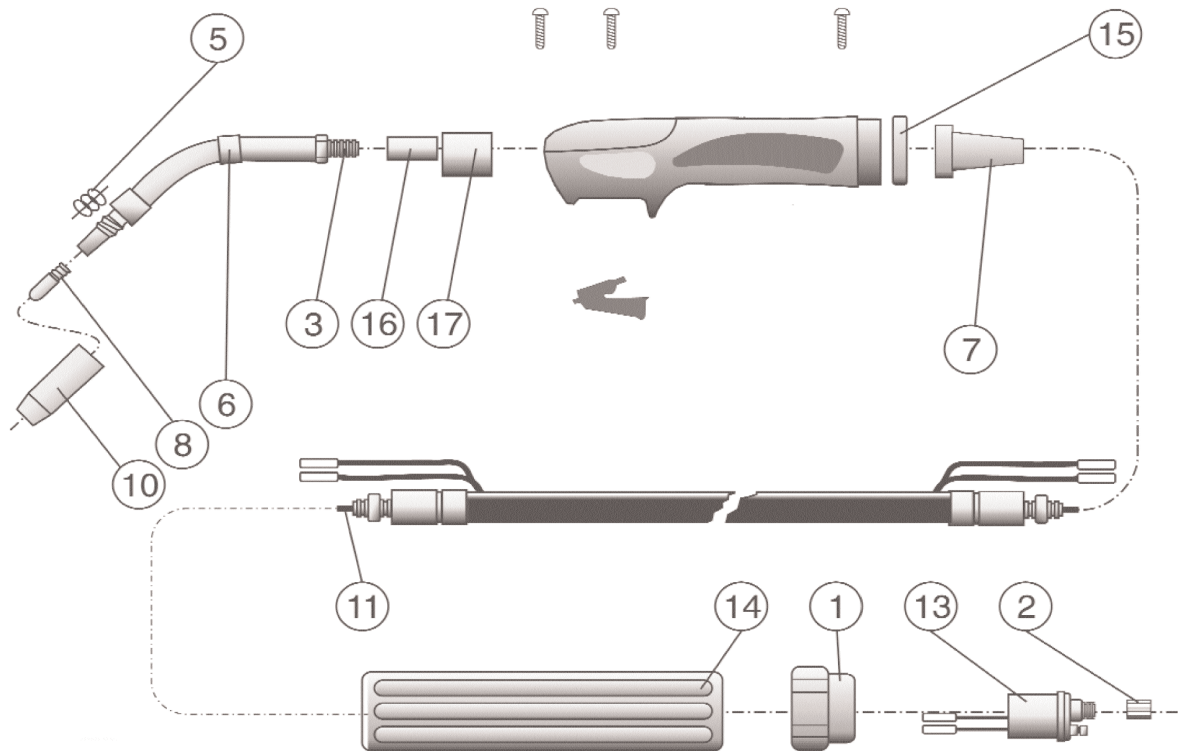
Item	Part No	Description
1	120.113858	Potentiometer
2	120/112125	Knob, Potentiometer
3	120/112183	Protection, Rectifier
4	120.980476	Rectifier Kit
5	120.980462	Wire Feed Pcb
6	120.113533	Potentiometer
7	120.322901	Switch Knob
8	120/122329	Thermostat
10	120.121510	Switch
11	120/122035	Electro-Valve
12	120.122692	Contactora
13	120/122707	Light
14	120/120302	Cable 16Mmq 1.8 M
15	MC3CX2.5	Mains Cable
16	120/152054	Blade, Fan
17	120/152110	Motor, Fan
18	120/153007	Wire Feed Motor
19	120.169371	Reactance
21	120.169329	Transformer 230V
22	B/609Z	Bearing, 609Z
23	120/312137	Knob
24	120/322081	Spindle, Sleeve/Spacer Type
25	120.322112	Bushing, Cable
26	120/322126	Casing, Feeder Roller Shaft
27	120/322127	Casing, Torch Fixing
28	120/322128	Bracket, Counter Roller
29	120/723051	Connection, Torch
30	120/322180	Spacer Collar
31	120/322200	Wheel (Fixed)
32	120/322246	Wheel
33	120.322641	Plastic Frame
35	120/422257	Knob, Counter Roller Tension
36	120/422817	Bracket, Axle
37	120/422969	Bracket, Castor
38	120/432102	Bull Nose Adaptor (Not Shown)
39	120/452022	Spring, Counter Roller Tension
40	120/452057	Spring
41	120/312328	Handle
42	120/644757	Back Panel
43	120/644078	Diaphragm
44	120/644606	Bracket
45	120.649568	Front Panel
46	120.644961	Bottom (Black)
47	120.655323	Cover
49	120.655322	Door
50	120/681092	Axle, Wheel
51	120/712030	Clamp, Earth
53	120/722019	Feed Roller 0.6-0.8Mm
54	120/742180	Torch "Euro"
55	REG/MT	Regulator 2 Gauge (Not Shown)
58	120/990097	Guide Hose
59	120/990257	Gear Set
60	120/990264	Spindle Kit
61	120.322032	Grommet

NOTE: It is our policy to continually improve products and as such we reserve the right to alter data, specifications and component parts without prior notice.

IMPORTANT: No liability is accepted for incorrect use of product.

WARRANTY: Guarantee is 12 months from purchase date, proof of which will be required for any claim.

INFORMATION: For a copy of our latest catalogue and promotions call us on 01284 757525 and leave your full name and address, including postcode.



Issue: 4  
 Date issued: 11/04/2008

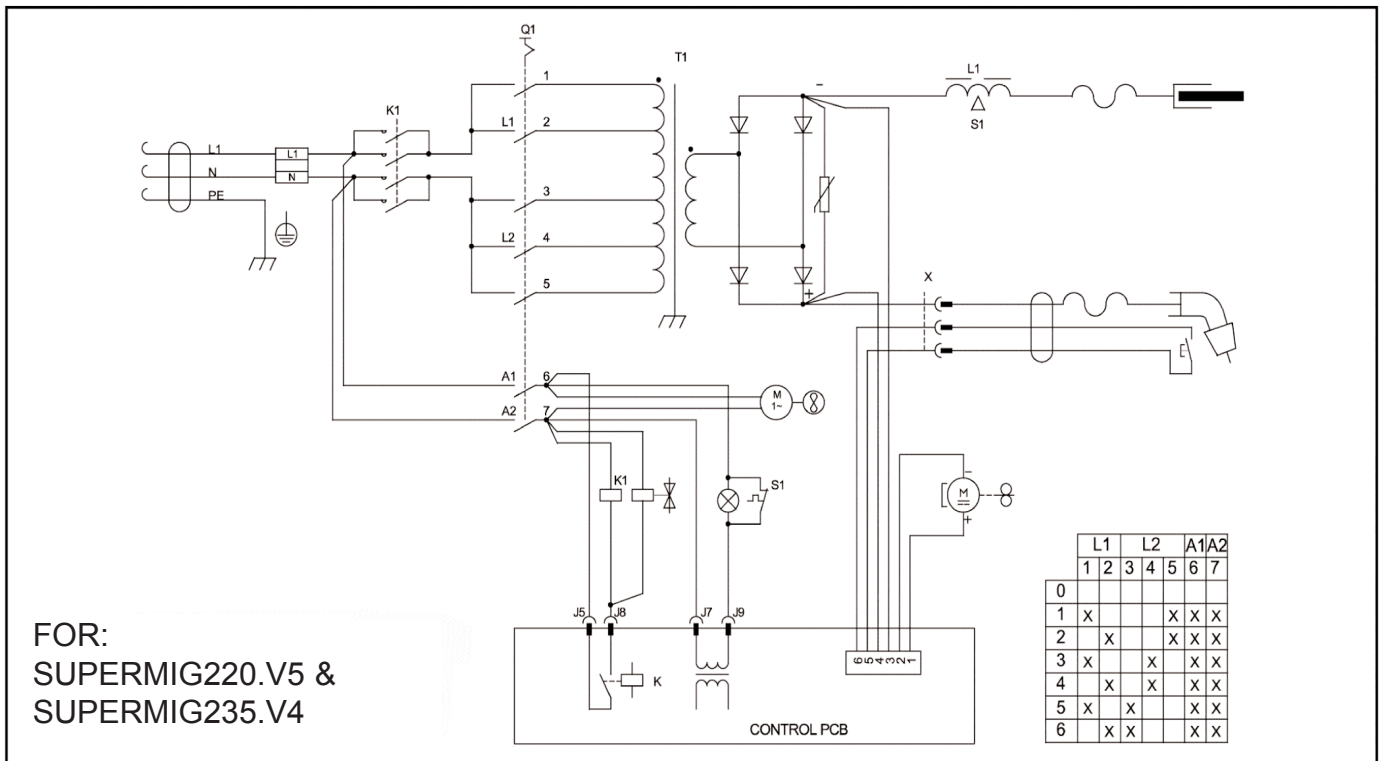
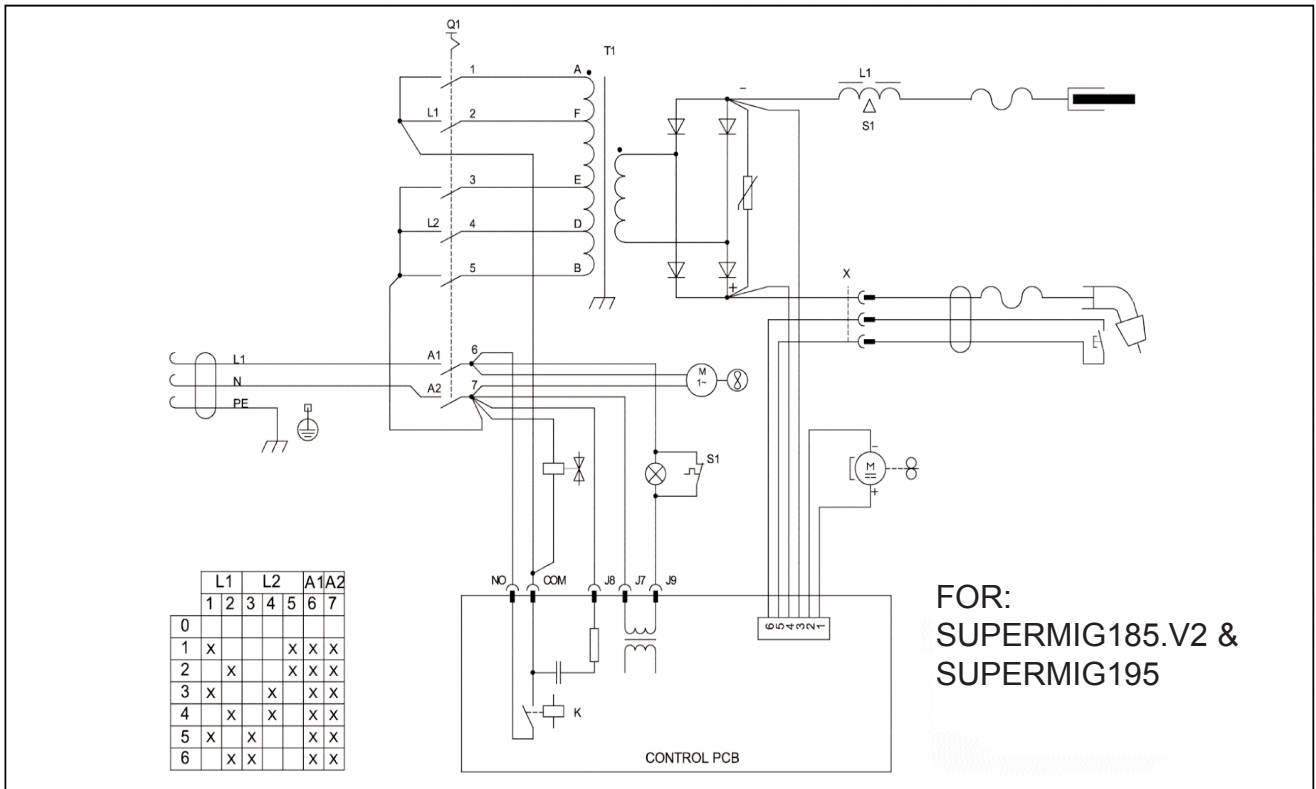
ITEM	PART NO.	DESCRIPTION
1	120/722007	Adaptor Nut
2	120/722013	Liner Positioner Nut
3	120/722305	Tr-15 Swanneck
5	120/722319	Tr-15 Nozzle Spring
6	120/722326	Head Insulator Tr-15 Swanneck
7	120/742172	Torch Holder
8	120/722415	Contact Tip TR-15 M6-06-0.6
	120/722416	Contact Tip TR-15 M6-06-0.8
	120/722552	Contact Tip TR-25 M6-08-1.0A
	120/722553	Contact Tip TR-25 M6-08-1.2A
	120/722556	Contact Tip TR-25 M6-08-0.8A
10	168.200105	Cylindrical Nozzle TR-15
	120/722423	TR-15 Conical Nozzle
11	168.301535	Blue Liner (1.5/4.5) 3Mtr
	120/722689	Liner,T, 1.0-1.2Mm 3mt Steel
13	120/722441	Central Adaptor
14	120/742175	Gun Plug Housing
15	120/742171	Ring Nut
16	120/722325	Front Torch Part
17	120/722693	Plastic Body For Swanneck

**NOTE:** It is our policy to continually improve products and as such we reserve the right to alter data, specifications and component parts without prior notice.

**IMPORTANT:** No liability is accepted for incorrect use of product.

**WARRANTY:** Guarantee is 12 months from purchase date, proof of which will be required for any claim.

**INFORMATION:** For a copy of our latest catalogue and promotions call us on 01284 757525 and leave your full name and address, including postcode.



**NOTE:** It is our policy to continually improve products and as such we reserve the right to alter data, specifications and component parts without prior notice.

**IMPORTANT:** No liability is accepted for incorrect use of product.

**WARRANTY:** Guarantee is 12 months from purchase date, proof of which will be required for any claim.

**INFORMATION:** For a copy of our latest catalogue and promotions call us on 01284 757525 and leave your full name and address, including postcode.