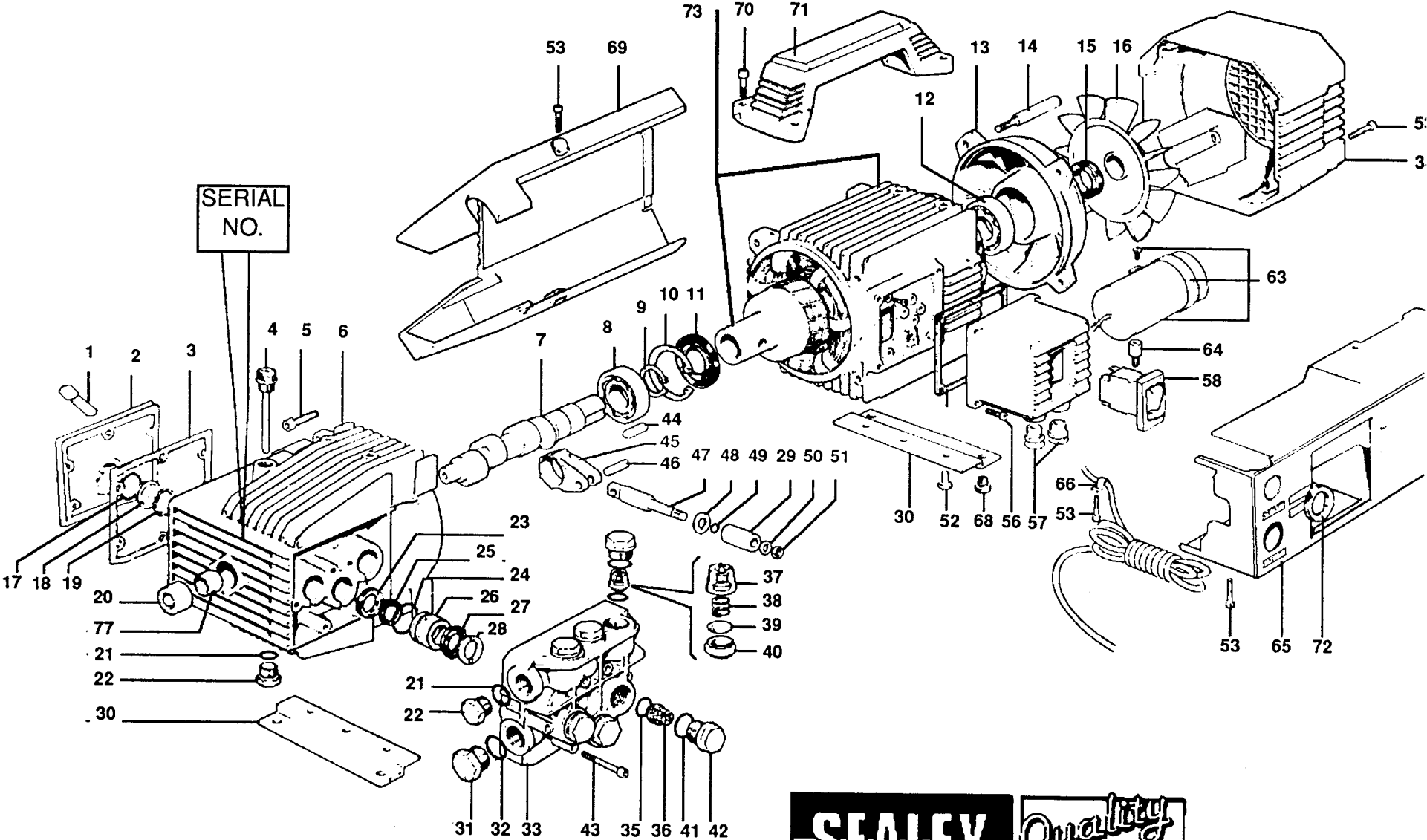


PC2000 PUMP UNIT EXPLODED VIEW



SERIAL NO.



PC2000 PUMP UNIT PARTS LIST

POS	PART No.	DESCRIPTION	Q
1	181/1260760	SCREW, SOCKET HEAD	6
2	181/1260030	COVER	1
3	181/1260040	GASKET, COVER	1
4	181/1260480	DIPSTICK	1
5	181/1260780	SCREW, SOCKET HEAD	4
6	181/1260011	BODY, PUMP	1
7	181/1260170	CAM SHAFT	1
8	B/6205ZZ	BEARING	1
9	181/1260770	CIRCLIP	1
10	181/1260790	CIRCLIP	1
11	181/1260750	SEAL	1
12	B/6205ZZ	BEARING	1
13	181/1260960	COVER, MOTOR, FAN END	1
14	181/1260360	THREADED SHAFT, MOTOR COVER	4
15	181/1260970	SPACER SEAL	1
16	181/1260300	FAN	1
17	181/1140450	O-RING	1
18	181/1260250	SIGHT GLASS	1
19	181/1260430	WASHER	1
20	181/1264010	PLUG	1
21	181/740290	O-RING	2
22	181/880530	PLUG	3
23	181/1260460	SPACER	3
24	181/1260420	O-RING	3
25	181/1260440	SPACER	3
26	181/1260151	SPACER	3
27	181/1260130	SEAL	3
28	181/1260140	SEAL, SCREW IN	3
29	181/1260120	SPACER	3
30	181/1260830	BRACKET, MOTOR MOUNTING	2
31	181/820360	PLUG	1
32	181/1180101	O-RING	1
33	181/1269209	PUMP HEAD	1
34	181/1261760	HOUSING, MOTOR, FAN END	1
35	181/880830	O-RING	6
36	181/1269050	NIPPLE, COMPLETE	6
37	181/1260410	NIPPLE, UPPER	6
38	181/880250	SPRING, NIPPLE	6
39	181/880240	SEAL, NIPPLE	6
40	181/880231	NIPPLE, LOWER	6
41	181/960160	O-RING	6
42	181/1260160	PLUG	6
43	181/680570	SCREW, SOCKET HEAD	6
44	181/961650	KEY	1
45	181/1320140	CON. ROD	3
46	181/1260080	PIN	3
47	181/1260070	SHAFT, CAM	3
48	181/1260091	WASHER	3
49	181/480480	O-RING	3
50	181/1260100	WASHER	3
51	181/1260110	NUT	3
52	181/1260470	BOLT	4
53	181/1261550	SCREW, SOCKET HEAD	9
55	181/1260400	GASKET, SWITCH HOUSING	1
56	181/1261560	SCREW, SWITCH HOUSING	4
57	181/1269090	CABLE GRIP	2

Original Date: 9/2/97
 Issue Date: 9/2/97
 Version Number: 1
 Date Modified: 9/2/97

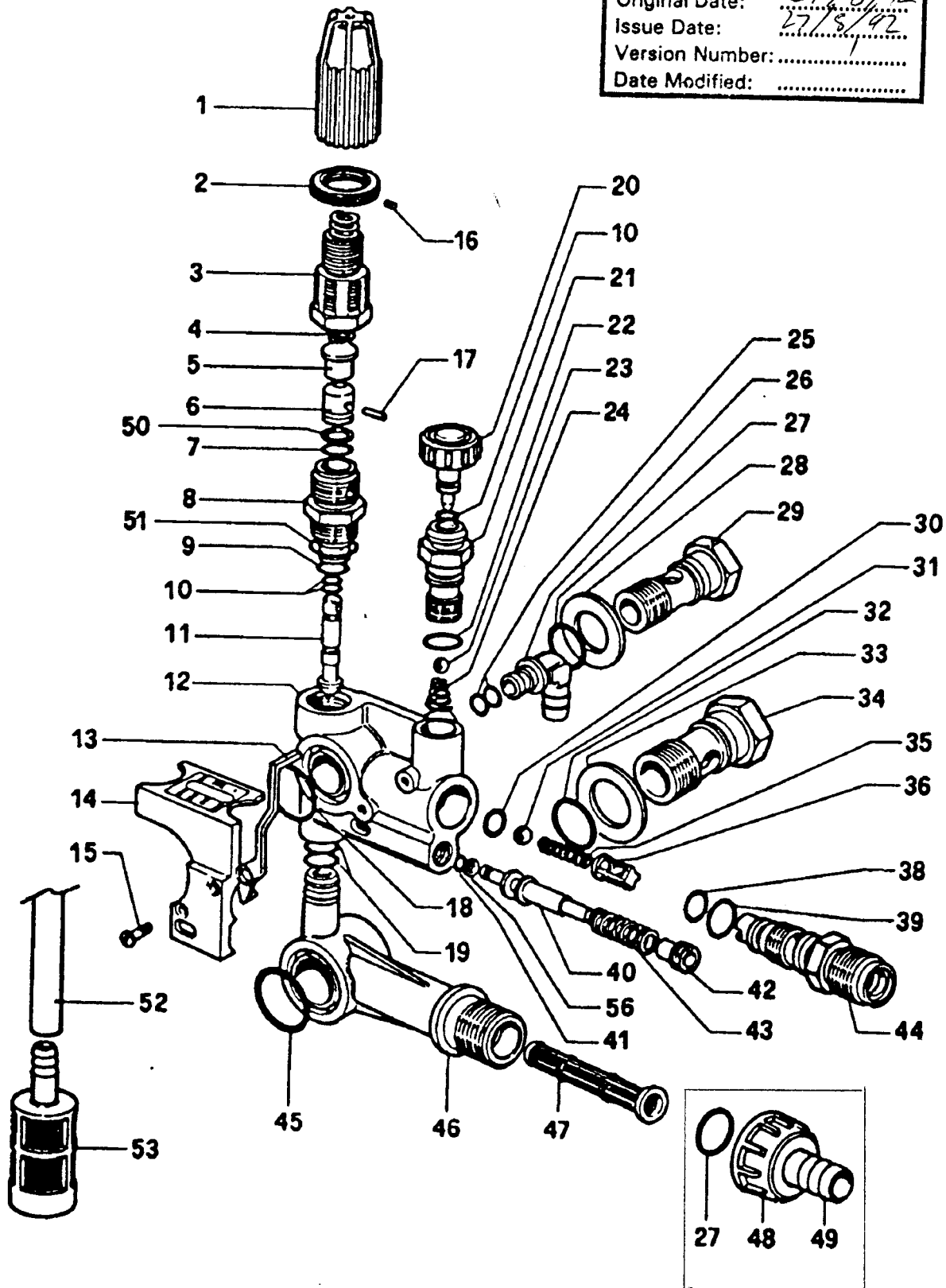
58	181/1263790	SWITCH	1
59	181/4831	MOTOR	1
60	181/4831	MOTOR	1
61	181/1260340	HOUSING, SWITCH	1
62	181/1269100	SCREW	1
63	181/1264040	CONDENSER (INCLUDING FIXINGS)	1
64	181/1262500	THREADED SHAFT	1
65	181/	HOUSING, FRONT	1
66	181/1263870	CABLE CLAMP	1
68	181/740420	BOLT	4
69	181/	HOUSING, REAR	1
70	181/180030	SCREW, HANDLE FIXING	4
71	181/1260710	HANDLE	1
72	181/1260370	SCREW RING	1
73	181/4877	MOTOR	

181/KIT 1864 VALVE KIT
 1865 OIL SEAL KIT
 1866 WATER PUMP KIT (24-25-27-28)
 1869 R&R SEAL KIT
 2040 'O' RING KIT

Original Date:	8/1/02
Issue Date:	9/9/02
Version Number:	1
Date Modified:	

PC2000 REGULATOR EXPLODED VIEW

Original Date:	27/8/92
Issue Date:	27/8/92
Version Number:
Date Modified:



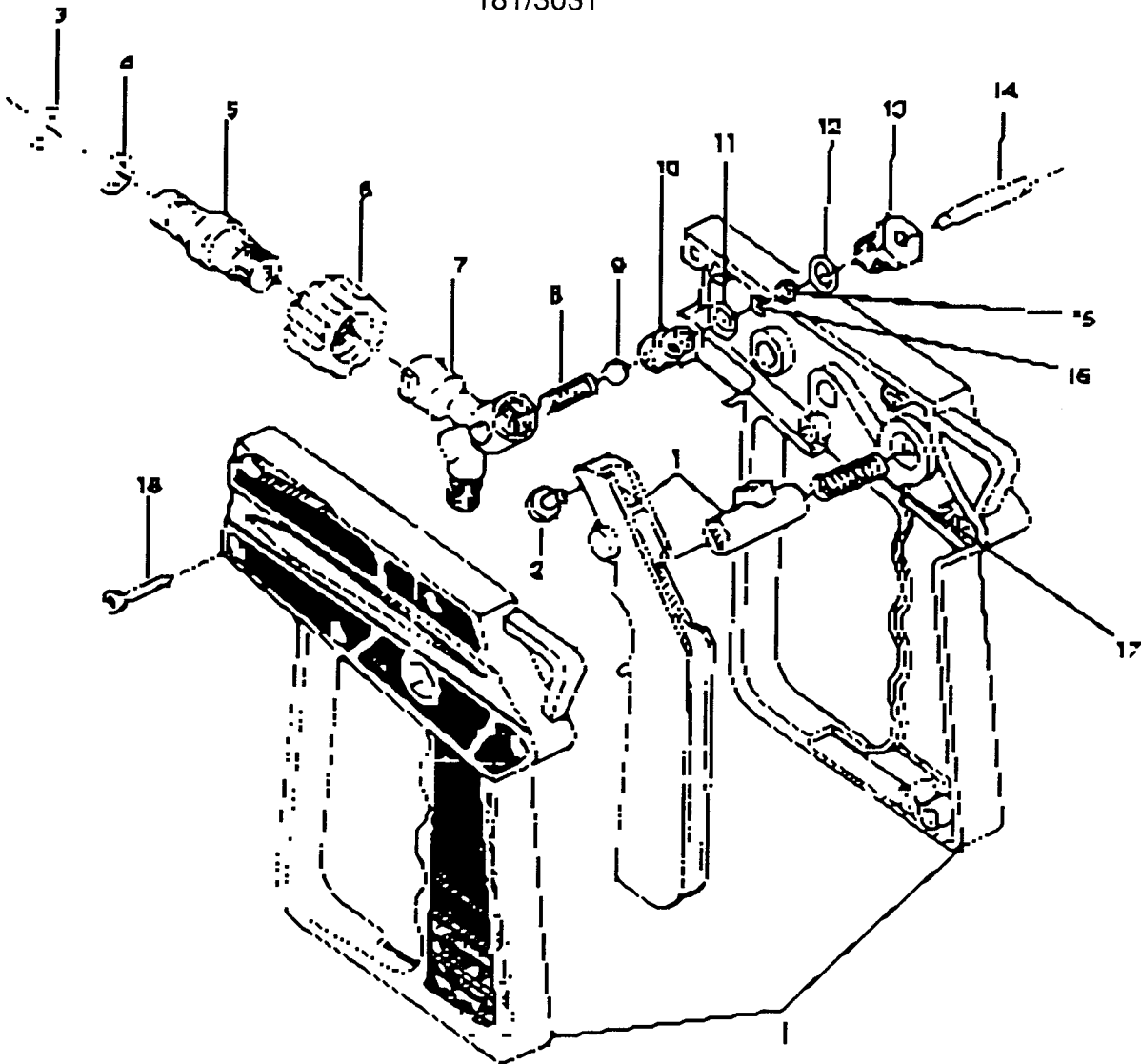
PC2000 REGULATOR PARTS LIST

<u>PQS</u>	<u>PART NUMBER</u>	<u>DESCRIPTION</u>	<u>QTY</u>
1	181/1080331	Knob, regulator	1
2	181/1080350	Seal, knob	1
3	181/1080341	Body, internal	1
4	181/2080100	O-ring	1
5	181/1260700	Shaft, upper	1
6	181/1080041	Shaft, lower	1
7	181/1080250	O-ring	1
8	181/1260730	Valve guide	1
9	181/800560	O-ring	1
10	181/1080190	O-ring	3
11	181/1080050	Valve	1
12	181/1269030	Body, regulator upper	1
13	181/1260520	Indicator	1
14	181/1269021	Cover, Indicator	1
15	181/395270	Screw, indicator cover	2
16	181/1080360	Pin	1
17	181/1080070	Pin	1
18	181/720030	O-ring	1
19	181/770140	O-ring	2
20	181/1269010	Knob	1
21	181/1269041	Guide, screw	1
22	181/880840	O-ring	1
23	181/1250280	Ball	1
24	181/1250270	Spring	1
25	181/480480	O-ring	2
26	181/1260670	Connection	1
27	181/390080	O-ring	2
28	181/1260570	Washer	1
29	181/1260580	Screw	1
30	181/1080200	O-ring	1
31	181/1080220	Ball	1
32	181/880830	O-ring	1
33	181/1260560	Washer	1
34	181/1260550	Screw plug	1
35	181/1262680	Spring	1
36	181/1260630	Spring seat	1
38	181/394280	O-ring	1
39	181/1200690	O-ring	1
40	181/1264060	Shaft	1
41	181/1260820	O-ring	1
42	181/1264080	Plug	1
43	181/1264090	Spring	1
44	181/1262490	Guide	1
45	181/1180140	O-ring	1
46	181/1260540	Body, regulator lower	1
47	181/1260660	Filter, inner	1
48	181/1200330	Nut, adaptor, water hose	1
49	181/5500551 <i>SS0551</i>	Adaptor, water hose	1
50	181/1080400	O-ring	1
51	181/740290	O-ring	1
52	181/1262790	Detergent hose	1
53	181/3221	Filter, detergent pick-up	1
56	181/1264070	Ball	1



PC2000 PISTOL GRIP EXPLODED VIEW

181/3031

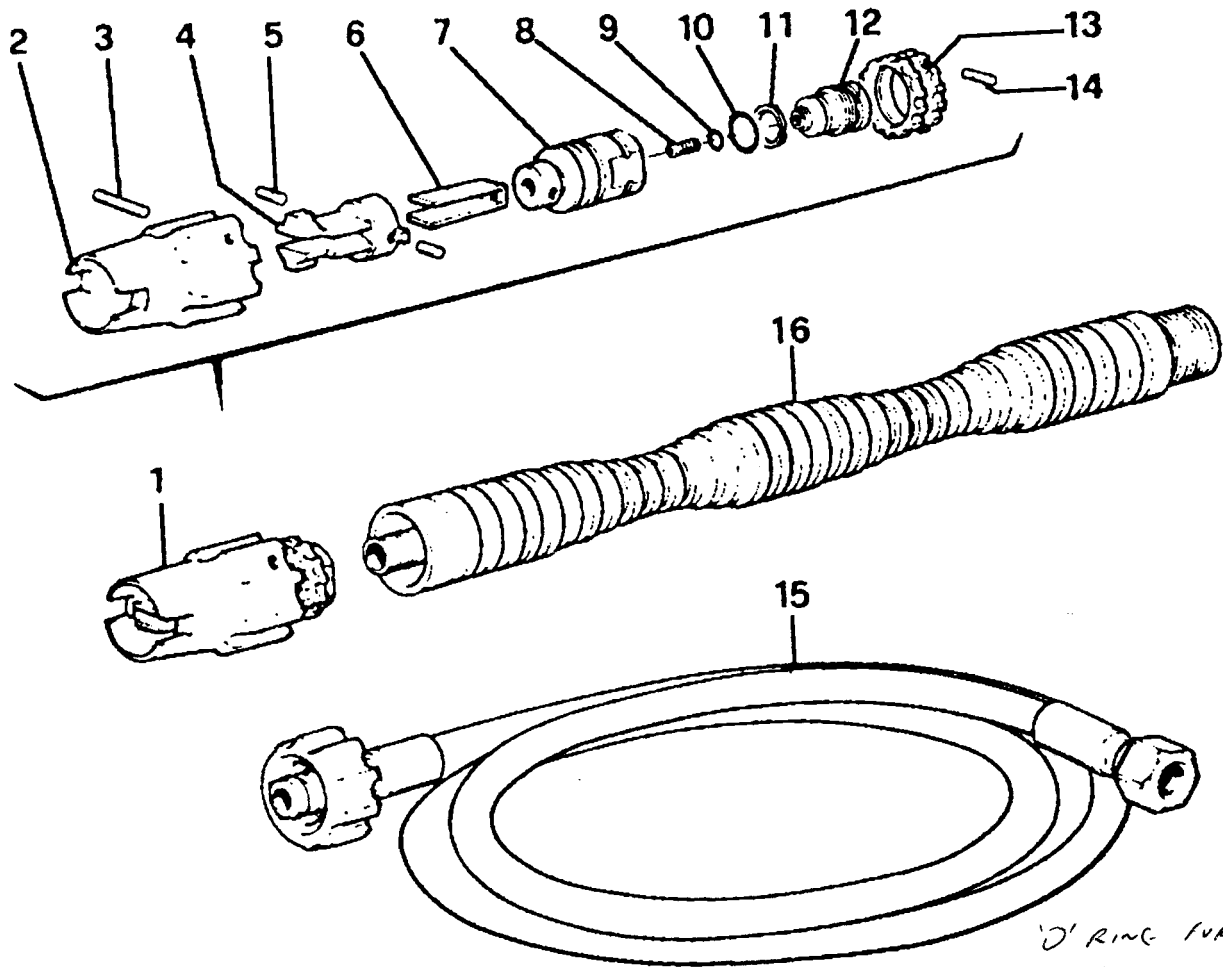


<u>POS</u>	<u>PART NUMBER</u>	<u>DESCRIPTION</u>
1	181/1122340	Handle
2	181/1122350	Button
3	181/391000	O-ring
4	181/1080640	O-ring
5	181/1121510	Connection, lance
6	181/1121520	Nut, connection, lance
7	181/1122360	Body, inlet/outlet/trigger
8	181/1122370	Spring
9	181/1122380	Ball
10	181/1122390	Valve
11	181/800560	O-ring
12	181/770140	O-ring
13	181/1122400	Plug, valve
14	181/1122410	Rod, valve
15	181/1122420	Seal
16	181/1080190	Seal
17	181/1122430	Spring
18	181/1122440	Screw, handle fixing

Original Date:	9/9/92
Issue Date:	9/9/92
Version Number:	1
Date Modified:	



PC2000 LANCE EXPLODED VIEW



*'O' RING FOR HOSE
145/90382200*

<u>POS</u>	<u>PART NUMBER</u>	<u>DESCRIPTION</u>
1	181/3243	Nozzle complete
2	181/1121410	Outer cover, nozzle
3	181/1121870	Pin
4	181/1121820	Blade holder
5	181/1121860	Pin
6	181/1121880	Blade
7	181/1121390	Cylinder
8	181/112250 ^o	Nozzle
9	181/480480	O-ring
10	181/770140	O-ring
11	181/1121440	Ring
12	181/1121400	Nozzle holder
13	181/1122250	Ring nut
14	181/1121430	Pin
15	181/1265520	Hose
16	181/1129040	Lance

