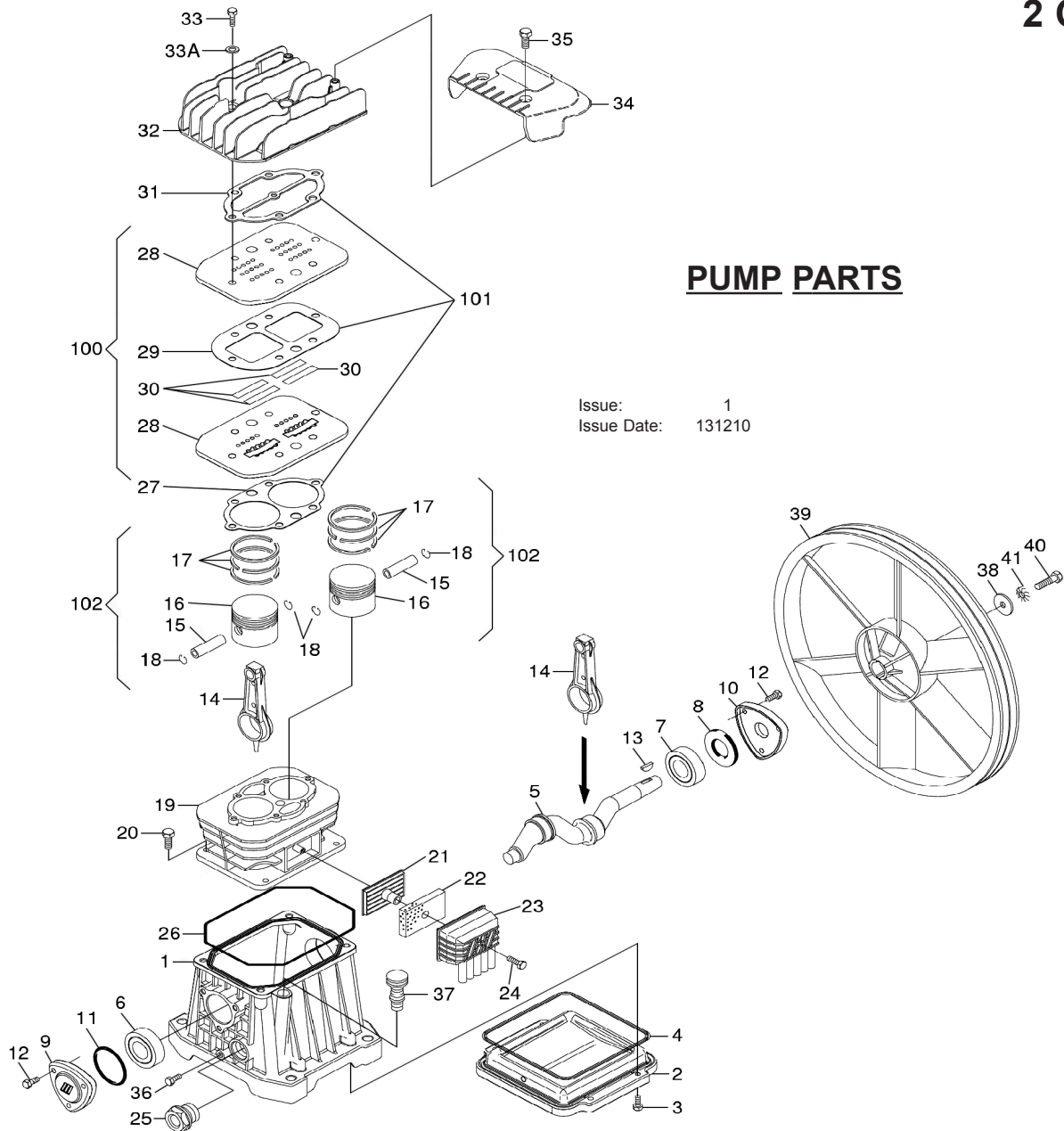


Issue: 1
 Issue Date: 131210

ITEM	PART NO	DESCRIPTION	ITEM	PART NO	DESCRIPTION
1	SAC5010140008	BASE PLATE	18	SAC7192090000	SAFETY VALVE
2	SAC5157260008	TANK 150ltr	19	SAC7230010000	HOSE
3	SAC7011110000	BOLT (M8x30)	20	SAC7237560000	DELIVERY PIPE
4	SAC7011120000	SCREW (M10x45)	21	SAC4170010000	BELT GUARD KIT
5	SAC7011410000	BOLT (M10x20)	22	SAC7370060000	BELT
6	SAC7012090000	BOLT (M5x12)	23	SAC7381390000	MOTOR
7	SAC7012170000	SCREW (M5x8)	24	SAC7408310000	MOTOR PULLEY
8	SAC7020240000	NUT (M8)	25	SAC7458510000	BELT GUARD SUPPORT
9	SAC7020250000	NUT (M10)	26	SAC9100280000	PUMP UNIT
10	SAC7030030000	WASHER	40	SAC4057630000	PRESSURE SWITCH KIT
11	SAC7030050000	WASHER (6x24)	41	SAC7023050000	LOCK NUT
12	SAC7030190000	WASHER (6x18)	42	SAC7088060000	CONNECTOR
13	SAC7080160000	ELBOW	43	SAC7090070000	PLUG 1/4"
14	SAC7090030000	PLUG 1/2	44	SAC7110300000	PRESSURE GAUGE
15	SAC7130150000	TAP	45	SAC7250360000	PRESSUE SWITCH
16	SAC7130160000	OUTLET TAP	46	SAC7329010000	POWER CABLE
17	SAC7190090000	NON-RETURN VALVE			

NOTE: It is our policy to continually improve products and as such we reserve the right to alter data, specifications and component parts without prior notice.
IMPORTANT: No liability is accepted for incorrect use of product.
WARRANTY: Guarantee is 12 months from purchase date, proof of which will be required for any claim.
INFORMATION: For a copy of our latest catalogue and promotions call us on 01284 757525 and leave your full name and address, including postcode.



PUMP PARTS

Issue: 1
 Issue Date: 131210

ITEM	PART NO	DESCRIPTION	ITEM	PART NO	DESCRIPTION	ITEM	PART NO	DESCRIPTION
1	SAC9700001075	CRANKCASE	16	SAC9100020120	PISTON	31	SAC9100270210	HEAD GASKET
2	SAC9700001076	CRANKCASE COVER	17	SAC4080030000	PISTON RING SET	32	SAC9100280100	HEAD
3	SAC9700000531	SCREW (M5x12)	18	SAC9100010580	SEEGER RING	33	SAC7010080000	HEAD BOLT
4	SAC9700001077	CRANKCASE BASE SEAL	19	SAC7575230000	CYLINDER	33A	SAC7030030000	WASHER
5	SAC9100270140	CRANKSHAFT	20	SAC7012220000	SCREW	34	SAC9100270220	COVER
6	SAC7060180000	BEARING	21	SAC9100280040	FILTER PLATE	35	SAC7012090000	BOLT (M5x12)
7	SAC7060200000	BEARING	22	SAC9100280050	FILTER ELEMENT	36	SAC7011460000	SCREW
8	SAC9100270150	OIL SEAL	23	SAC9100280060	INTAKE FILTER	37	SAC9100280110	BREATHER PLUG
9	SAC9100270160	FRONT COVER	24	SAC91002730000	SCREW (4x12)	38	SAC7030270000	WASHER
10	SAC9100270170	REAR COVER	25	SAC9100280070	OIL LEVEL SIGHT GLASS	39	SAC9100270230	FLYWHEEL
11	SAC9100280010	O-RING	26	SAC9100270180	CRANKCASE SEAL	40	SAC7011100000	BOLT (M8x25)
12	SAC7011460000	SCREW	27	SAC9100270190	CYLINDER GASKET	41	SAC7031010000	TOOTHED WASHER
13	SAC9100280020	KEY	28	SAC9100280080	VALVE PLATE	100	SAC9100280210	VALVE PLATE KIT
14	SAC9100280030	CON-ROD	29	SAC9100270200	VALVE PLATE GASKET	101	SAC9700000078	GASKET KIT
15	SAC9100020080	PISTON PIN	30	SAC9100280090	VALVE REED	102	SAC4291030000	PISTON GROUP

NOTE: It is our policy to continually improve products and as such we reserve the right to alter data, specifications and component parts without prior notice.

IMPORTANT: No liability is accepted for incorrect use of product.

WARRANTY: Guarantee is 12 months from purchase date, proof of which will be required for any claim.

INFORMATION: For a copy of our latest catalogue and promotions call us on 01284 757525 and leave your full name and address, including postcode.