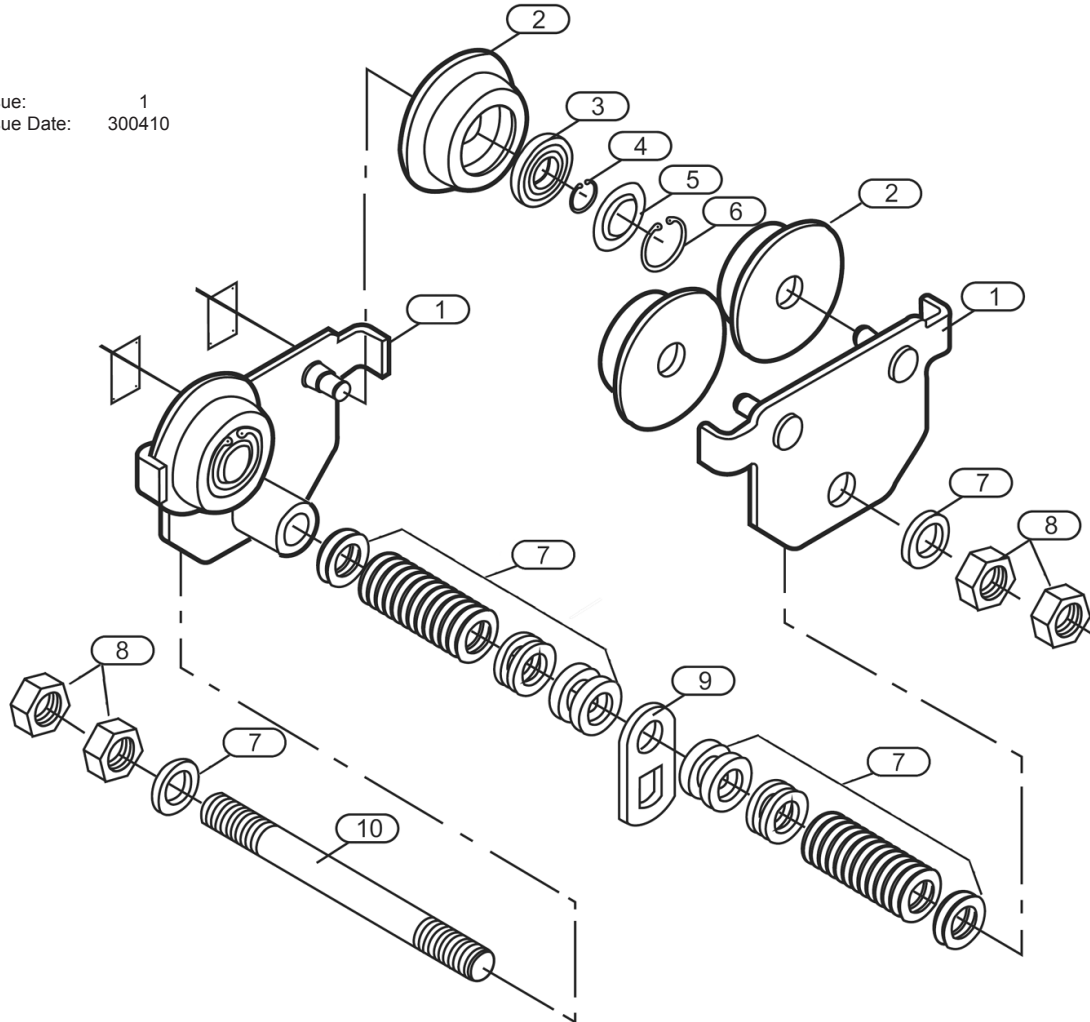


Issue: 1  
 Issue Date: 300410



ITEM	PART NO	PART NO	PART NO	PART NO	DESCRIPTION
1	PT500.V2-01	PT1000.V2-01	PT2000.V2-01	PT3000.V2-01	TWO GEAR CASE ASS'Y
2	PT500.V2-02	PT1000.V2-02	PT2000.V2-02	PT3000.V2-02	DRIVEN WHEEL
3	PT500.V2-03	PT1000.V2-03	PT2000.V2-03	PT3000.V2-03	BEARING
4	PT500.V2-04	PT1000.V2-04	PT2000.V2-04	PT3000.V2-04	RETAINING RING
5	PT500.V2-05	PT1000.V2-05	PT2000.V2-05	PT3000.V2-05	BEARING RING
6	PT500.V2-06	PT1000.V2-06	PT2000.V2-06	PT3000.V2-06	RETAINING RING
7	PT500.V2-07	PT1000.V2-07	PT2000.V2-07	PT3000.V2-07	SPACER WASHER
8	PT500.V2-08	PT1000.V2-08	PT2000.V2-08	PT3000.V2-08	HEX NUT
9	PT500.V2-09	PT1000.V2-09	PT2000.V2-09	PT3000.V2-09	LIFTING RING
10	PT500.V2-10	PT1000.V2-10	PT2000.V2-10	PT3000.V2-10	PIN

**NOTE:** It is our policy to continually improve products and as such we reserve the right to alter data, specifications and component parts without prior notice.

**IMPORTANT:** No liability is accepted for incorrect use of product.

**WARRANTY:** Guarantee is 12 months from purchase date, proof of which will be required for any claim.

**INFORMATION:** For a copy of our latest catalogue and promotions call us on 01284 757525 and leave your full name and address, including postcode.