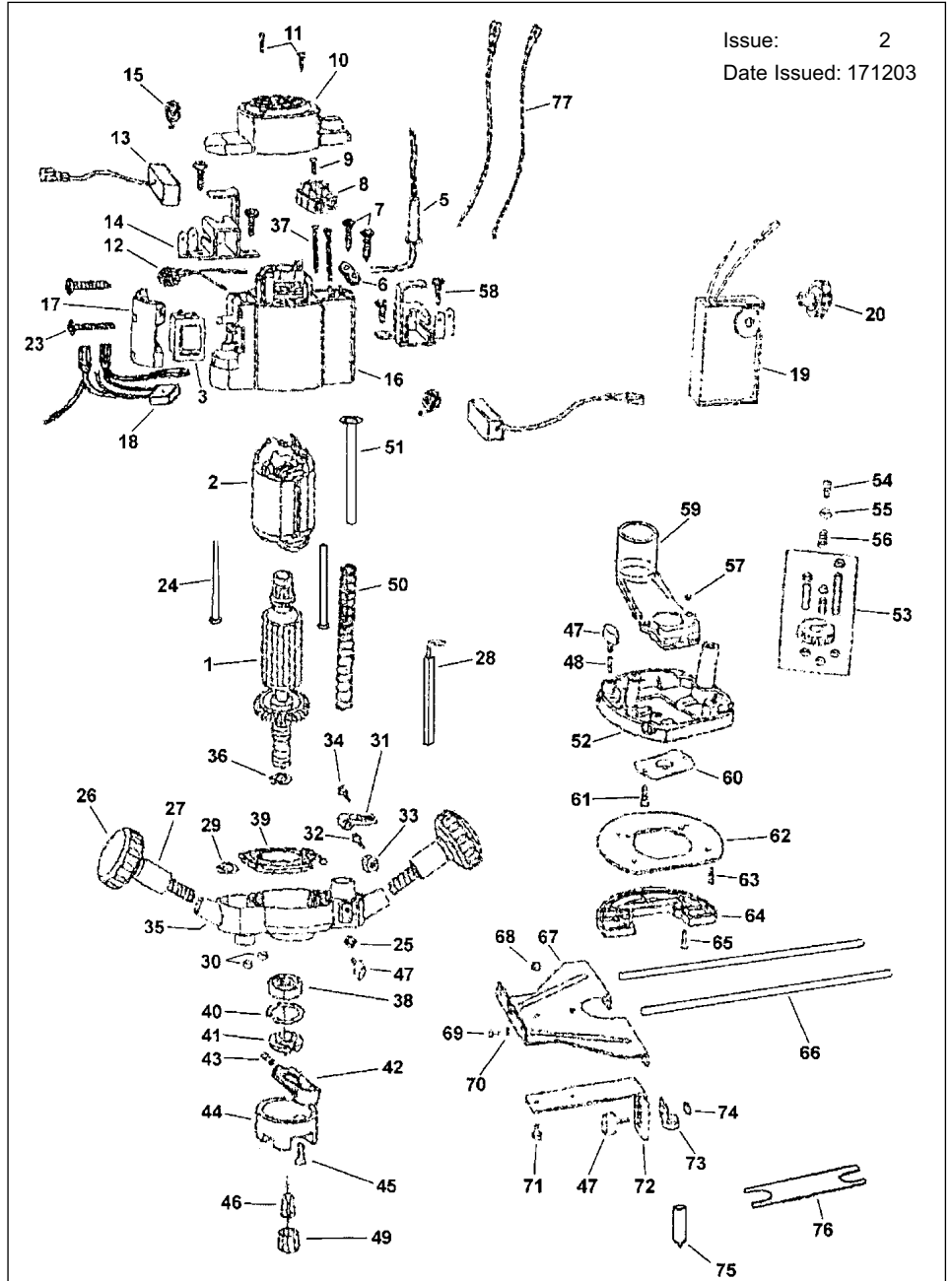




PARTS LIST FOR:
1/4" VARIABLE SPEED ROUTER
 Model: **SR1000**

Issue: 2
 Date Issued: 171203

ITEM	PART NO.	DESCRIPTION
1	SR1000/01	Armature
2	SR1000/02	Field
3	SR1000/03	Switch
5	SR1000/05	Cord Protector
6	SR1000/06	Cord Clamp
7	SR1000/07	Self-tapping Screw
8	SR1000/08	Connection Pole
9	SR1000/09	Self-tapping Screw
10	SR1000/10	Rear Housing
11	SR1000/11	Self-tapping Screw
12	SR1000/12	Inductor
13	SR1000/13	Brush
14	SR1000/14	Brush Holder
15	SR1000/15	Brush Spring
16	SR1000/16	Motor Housing
17	SR1000/17	Flank Cover
18	SR1000/18	Capacitor
19	SR1000/19	Speed Control
20	SR1000/20	Knob
23	SR1000/23	Self-tapping Screw
24	SR1000/24	Self-tapping Screw
25	SR1000/25	Nut
26	SR1000/26	Handle
27	SR1000/27	Sleeve
28	SR1000/28	Depth Stop
29	SR1000/29	Ring
30	SR1000/30	Nut
31	SR1000/31	Lever
32	SR1000/32	Screw
33	SR1000/33	Nut
34	SR1000/34	Screw
35	SR1000/35	Lower Bracket Asm.
36	SR1000/36	Ring
37	SR1000/37	Screw
38	SR1000/38	Bearing
39	SR1000/39	Baffle
40	SR1000/40	Ring
41	SR1000/41	Nut
42	SR1000/42	Spindle Lock Button
43	SR1000/43	Spring
44	SR1000/44	Cover
45	SR1000/45	Screw
46	SR1000/46-1	Collet, 6mm
46	SR1000/46-2	Collet, 8mm
46	SR1000/46-3	Collet, 1/4"
47	SR1000/47	Knob
48	SR1000/48	Spring
49	SR1000/49	Nut
50	SR1000/50	Spring
51	SR1000/51	Spring Core
52	SR1000/52	Base
53	SR1000/53	Adjustor, Depth
54	SR1000/54	Screw
55	SR1000/55	Washer
56	SR1000/56	Spring
57	SR1000/57	Nut
58	SR1000/58	Self-tapping Screw
59	SR1000/59	Dust Extractor
60	SR1000/60	Guide Bush
61	SR1000/61	Screw
62	SR1000/62	Plate
63	SR1000/63	Screw
64	SR1000/64	Base
65	SR1000/65	Screw
66	SR1000/66	Guide Rod



ITEM	PART NO.	DESCRIPTION
67	SR1000/67	Guide Fence
68	SR1000/68	Nut
69	SR1000/69	Screw
70	SR1000/70	Washer
71	SR1000/71	Screw
72	SR1000/72	Guide Support

ITEM	PART NO.	DESCRIPTION
73	SR1000/73	Guide Wheel
74	SR1000/74	Nut
75	SR1000/75	Centre
76	SR1000/76	Spanner
77	SR1000/77	Internal Wires

NOTE: It is our policy to continually improve products and as such we reserve the right to alter data, specifications and component parts without prior notice.