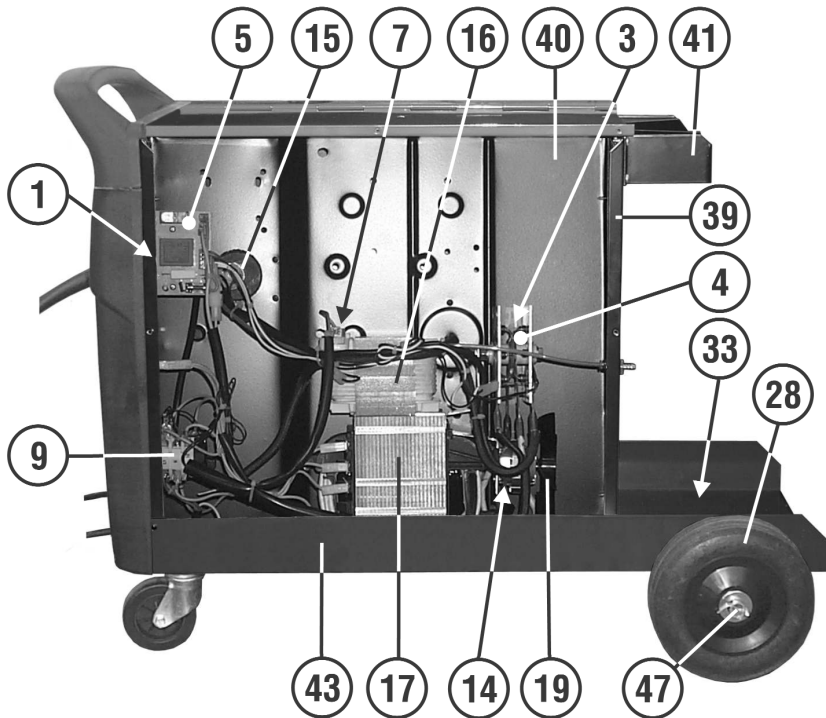


Issue Date: 23/12/03
Issue No: 1



Item	Part No	Description
1	120/112079	Potentiometer
2	120/112125	Knob,Potentiometer
3	120/112183	Protection,rectifier
4	120.990745	Rectifier kit
5	120/114182	Control module PCB
6	120.322901	Switch knob
7	120.121069	Thermostat
9	120.121196	Switch
10	120/122707	Yellow light
12	120/120301	Cable
13	MC3CX1.5	Mains cable
14	120/152080	Fan motor
15	120/153900	Wire feed motor
16	120.169228	Reactance
17	120.169295	Transformer
18	B/609Z	Pressure roller bearing
19	120/312026	Fan blade
20	120/322122	Cable bushing
21	120/322126	Roll support
22	120/322127	Torch fixing case
23	120/322128	Pressure roll bracket
24	120/322143	Ring Nut
25	120/322172	Spindle
26	120/322173	Reel ring nut
27	120/322174	Reel handwheel
28	120/322201	Fixed wheel
29	120/322245	Wheel for castor
30	120.322640	Plastic frame
32	120/422257	Wire feed tension knob
33	120/422817	Axle bracket
34	120/422820	Castor bracket
35	120/432102	Bull noise adaptor (not shown)
36	120/452022	Spring, counter roller tension
37	120/452065	Reel spring
38	120/312328	Handle
39	120/644828	Back panel
40	120/644176	Diaphragm
41	120/644606	Bracket for bottle
42	120.649566	Front panel
43	120.644961	Bottom
44	120.655318	Cover
46	120.655317	Door
47	120/681092	Wheel axle
48	120/712001	Work clamp (black)
49	120/722019	Feed roller 0.6,0.8
50	REG/MT	Gas regulator (not shown)
51	120.742901	Torch
54	120/990097	Gas hose kit
55	120/990251	Gears kit
56	120/990288	Reel kit

NOTE: It is our policy to continually improve products and as such we reserve the right to alter data, specifications and component parts without prior notice.
IMPORTANT: No liability is accepted for incorrect use of product. **WARRANTY:** Guarantee is 12 months from purchase date, proof of which will be required for any claim.
INFORMATION: For a copy of our latest catalogue and promotions call us on 01284 757525 and leave your full name and address including your postcode.

8. DECLARATION OF CONFORMITY

Declaration of Conformity We, the sole importer into the UK, declare that the products listed below are in conformity with the following EEC standards and directives.

Models:
SUPERMIG150.V2, SUPERMIG160.V2
SUPERMIG180.V2

Low Voltage Directive (S.I. 1994/3260) 73/23/EEC
 EMC Directive (S.I. 1992/2372 & Amendments).
 89/336/EEC



The construction files for these products are held by the Manufacturer and may be inspected by a national authority upon request to Jack Sealey Ltd

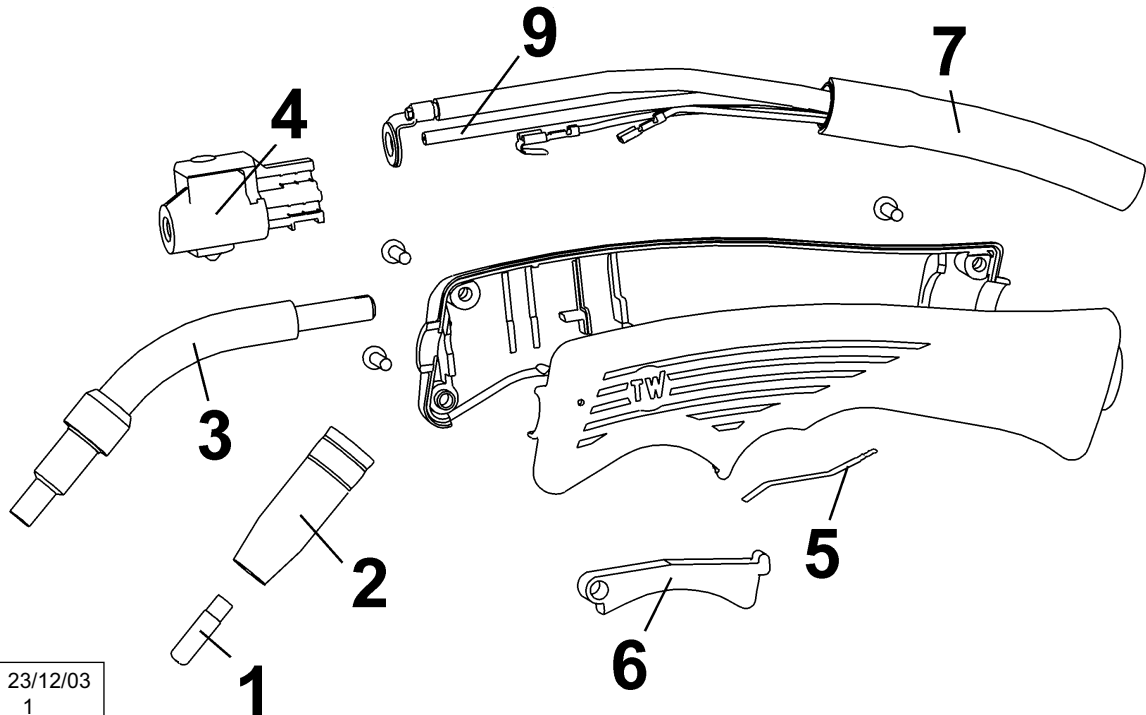
Signed by Mark Sweetman

23rd December 2003

For Jack Sealey Ltd. Sole importer into the UK of Sealey Power Welders

TORCH PARTS LIST FOR MODELS: SUPERMIG 150.V2, 160.V2, 180.V2

(Please note that the torch for Supermig 180.V2 has a longer cable group & black liner.)



Issue Date: 23/12/03
 Issue No: 1

Item	Part No	Description	Item	Part No	Description
--	120/742901	Torch Complete (150.V2 & 160.V2)	5	120/452090	Contact Spring (180.V2)
--	120/742405	Torch Complete (180.V2)	6	120/322295	Pushbutton
1	120/722415	Contact Tip 0.6	7	120/990600	Cable Group (150.V2 & 160.V2)
1	120/722416	Contact Tip 0.8	7	120/990601	Cable Group (180.V2)
2	120/722423	Conical Nozzle	8	120/990465	Complete Handle
3	120/722078	Insulated Swan Neck	9	120/742412	Black Liner (150.V2 & 160.V2)
4	120/990464	Torch Connection Assy	9	120/722431	Black Liner (180/5) 2.75M
5	120/452097	Contact Spring (150.V2 & 160.V2)	--	120/722050NEV	White Gas Hose

NOTE: It is our policy to continually improve products and as such we reserve the right to alter data, specifications and component parts without prior notice.

IMPORTANT: No liability is accepted for incorrect use of this equipment

WARRANTY: Guarantee is 12 months from purchase date, proof of which will be required for any claim.

INFORMATION: For a copy of our latest catalogue and promotions call us on 01284 757525 and leave your full name and address including your postcode.



Sole UK Distributor
 Sealey Group,
 Bury St. Edmunds, Suffolk.

01284 757500
 01284 703534

www.sealey.co.uk
 sales@sealey.co.uk

