



SPARE PARTS LISTING SHEET FOR

12V ATV Spot Sprayer

Stock No. **34674** Part No. **SS37L**
34676 **SS60L**
34677 **SS98L**

KEY No.	PART No.	STOCK No.	DESCRIPTION
1	Y-779769	35168	Spray gun - All
2	Y-30746	35170	Hose clamp - All
3	Y779768	35188	Gun hose - All
4	Y-783800	35203	Sprayer pump - 37Ltr.
4	Y-783798	35211	Sprayer pump - 60 & 98Ltr.
5	Y-779823	35216	Inlet fitting - 60 & 98Ltr.
6	Y-777493	35229	Remote switch - All
7	Y-780546	35237	M5 x 15mm Screw - 37Ltr.
7	Y-82061	35250	#10 x 1" Screw - 60 & 98Ltr.
8	Y-778514	35252	Outlet fitting - 60 & 98Ltr.
9	Y-780545	35253	Suction hose - 37Ltr.
9	Y-779780	35279	Suction hose - 60 & 98Ltr.
10	Y-780542	35389	Suction tube - 37Ltr.
10	Y-779389	35301	Suction tube - 60Ltr.
10	Y-779390	35303	Suction tube - 98Ltr.
11	Y-780544	35391	Suction strainer - 37Ltr.
11	Y-35203	35304	Suction strainer - 60 & 98Ltr.
12	Y-5262	35395	Tank straps - 60 & 98Ltr.
13	Y-37680	35392	Drain cap - All

KEY No.	PART No.	STOCK No.	DESCRIPTION
14	Y-5232	35412	Rubber washer - All
15	Y-780543	35420	37Ltr.
15	Y-782491	35421	60Ltr.
15	Y-782492	35422	98Ltr.
16	Y-778560	35423	Lance clip - All
17	Y-779779	35437	M5 Screw - 37Ltr.
17	Y-82059	35435	#10-24 x 1/2" Screw - 60 & 98Ltr.
18	Y-779777	35439	Hose guide - 37Ltr.
18	Y-777110	35440	Hose guide - 60 & 98Ltr.
19	Y-779779	35437	M5 Screw - 37Ltr.
19	Y-82014	35441	5/16-18 x 1/2" Bolt - 60 & 98Ltr.
20	Y-777472	35438	Tank Lid - All
21	Y-779854	35442	Broadcast fitting - 60 & 98Ltr.
22	Y-778358	35444	Broadcast bracket - 60 & 98Ltr.
23	Y-778000	35445	Broadcast lance - 60 & 98Ltr.
24	Y-779377	35446	Broadcast nozzle - 60 & 98Ltr.
25	Y-779845	35447	Broadcast hose - 60 & 98Ltr.
26	Y-777119	35448	Hose clamp - 60 & 98Ltr.

Helpline: (023) 8049 4344. Sales Desk: (023) 8049 4333. General Enquiries: (023) 8026 6355.

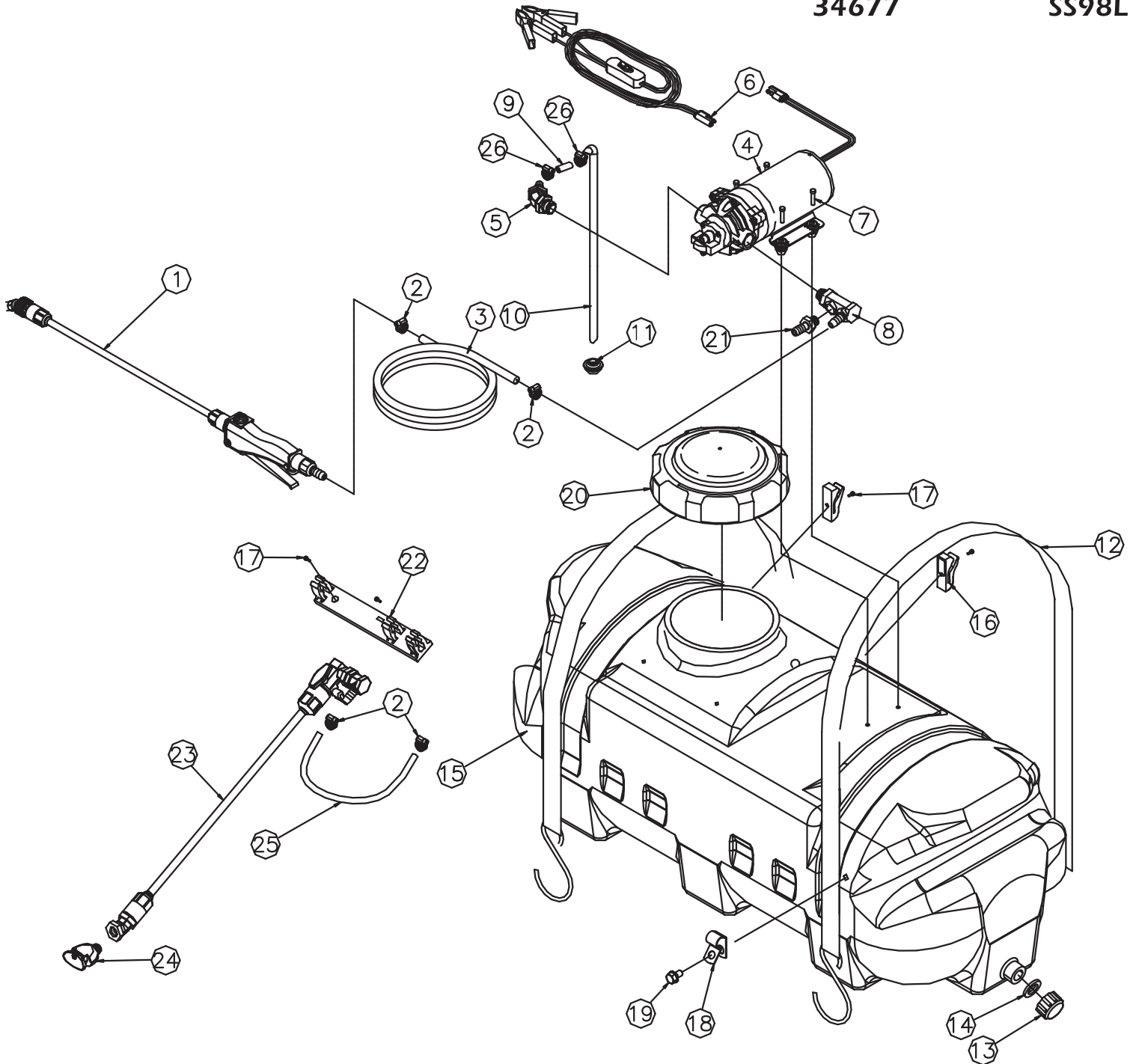
DRAPER TOOLS LTD, HURSLEY ROAD, CHANDLER'S FORD, EASTLEIGH, HANTS. SO53 1YF. U.K. internet: www.draper.co.uk e-mail: sales@drapertools.com



SPARE PARTS DRAWING SHEET FOR

12V ATV Spot Sprayer

Stock No.34674	Part No.SS37L
34676	SS60L
34677	SS98L



Helpline: (023) 8049 4344. **Sales Desk:** (023) 8049 4333. **General Enquiries:** (023) 8026 6355.

DRAPER TOOLS LTD, HURSLEY ROAD, CHANDLER'S FORD, EASTLEIGH, HANTS. SO53 1YF. U.K. internet: www.draper.co.uk e-mail: sales@drapertools.com