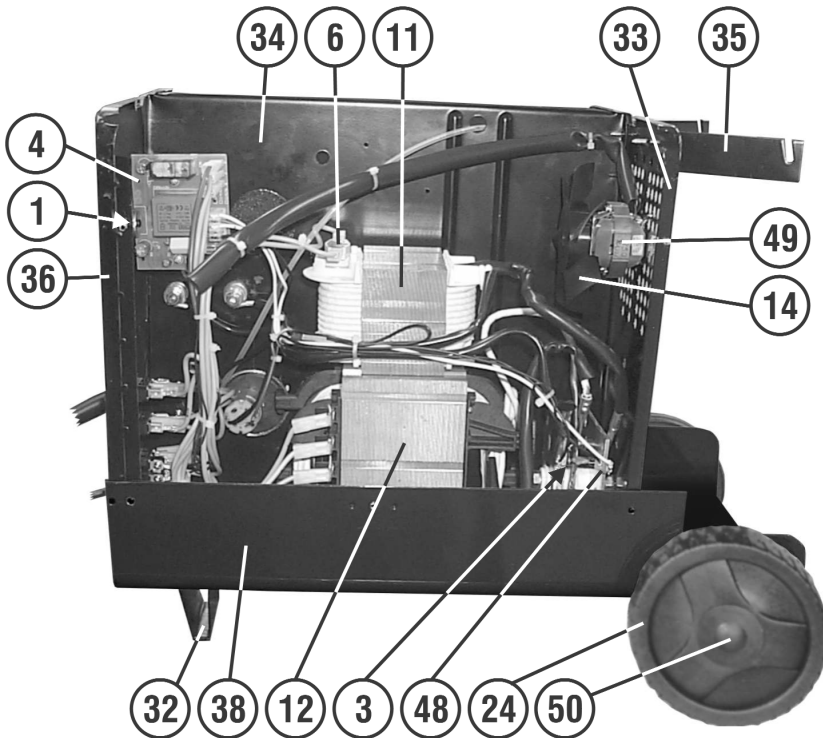


Issue Date: 23/12/03  
Issue No: 1



Item	Part No	Description
1	120/112079	Potentiometer
2	120/112125	Knob,Potentiometer
3	120/112185	Protection,rectifier
4	120/114182	Control card
5	120/120301	Cable
6	120.121069	Thermostat
7	120/122400	Switch
8	120/122752	Switch
9	MC3CX1.5	Mains cable
10	120/153900	Wire feed motor
11	120.169228	Reactance
12	120.169295	Transformer
13	B/609Z	Pressure roller (bearing)
14	120/312025	Fan blade
15	120.312356	Handle
16	120.322122	Cable bushing
17	120/322126	Roll support
18	120/322127	Torch fixing case
19	120/322128	Pressure roll bracket
20	120/322143	Ring Nut
21	120/322172	Spindle
22	120/322173	Reel ring nut
23	120/322174	Reel handwheel
24	120/322193	Wheel
25	120.322631	Frame
26	120/422257	Wire feed knob
27	120/432102	Bull nose adaptor (not shown)
28	120/452022	Spring,counter roller tension
29	120/452056	Door spring
30	120/452065	Reel spring
31	120.482783	Wheel axle
32	120/644402	Foot
33	120.644939	Back panel
34	120.644942	Diaphragm
35	120.645088	Bottle holder
36	120.649564	Front panel
37	120.651026	Cover
38	120.644965	Bottom
39	120.655313	Side
40	120.655314	Door
41	120/712001	Work clamp
42	120/722019	Feed roller 0.6,0.8
43	REG/MT	Gas regulator (not shown)
44	120.742901	Torch
45	120/990097	Gas hose kit
46	120/990251	Gears kit
47	120/990288	Reel kit (not shown)
48	120.990745	Rectifier kit
49	120/152080	Fan motor
50	120/322223	Cap, axle

**NOTE:** It is our policy to continually improve products and as such we reserve the right to alter data, specifications and component parts without prior notice.

**IMPORTANT:** No liability is accepted for incorrect use of product. **WARRANTY:** Guarantee is 12 months from purchase date, proof of which will be required for any claim.

**INFORMATION:** For a copy of our latest catalogue and promotions call us on 01284 757525 and leave your full name and address including your postcode.

## 8. DECLARATION OF CONFORMITY

**Declaration of Conformity** We, the sole importer into the UK, declare that the products listed below are in conformity with the following EEC standards and directives.

**Models:**  
**SUPERMIG150.V2, SUPERMIG160.V2**  
**SUPERMIG180.V2**

Low Voltage Directive (S.I. 1994/3260) 73/23/EEC  
 EMC Directive (S.I. 1992/2372 & Amendments).  
 89/336/EEC



The construction files for these products are held by the Manufacturer and may be inspected by a national authority upon request to Jack Sealey Ltd

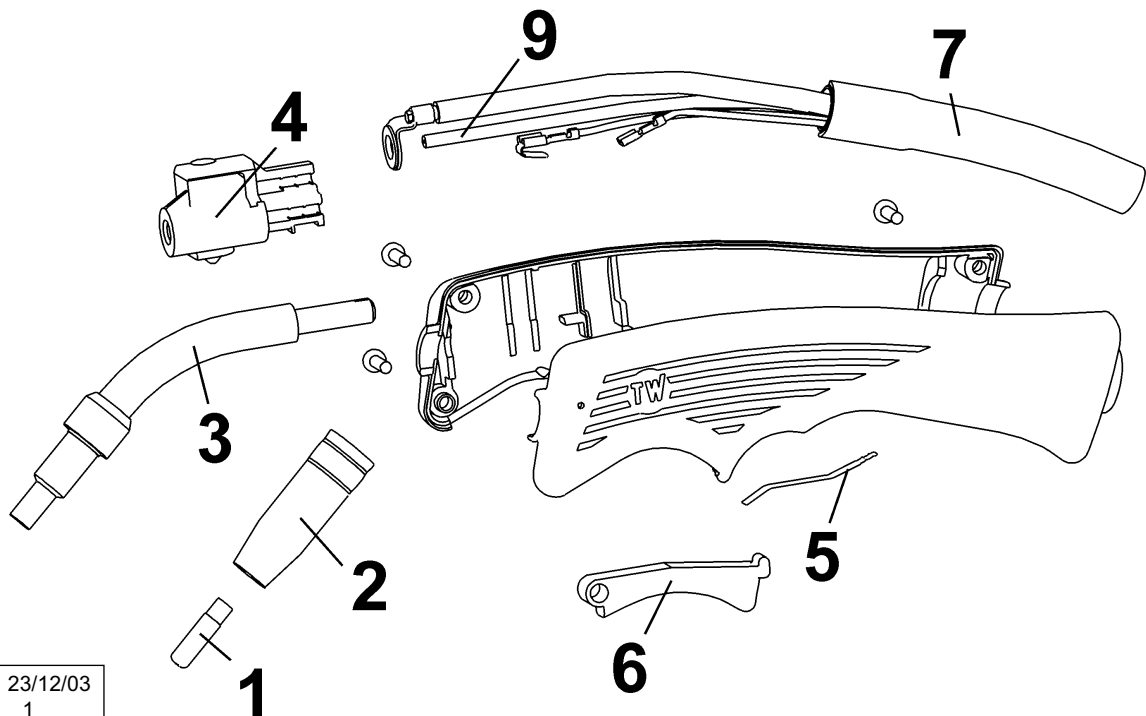
Signed by Mark Sweetman

23rd December 2003

For Jack Sealey Ltd. Sole importer into the UK of Sealey Power Welders

### TORCH PARTS LIST FOR MODELS: SUPERMIG 150.V2, 160.V2, 180.V2

(Please note that the torch for Supermig 180.V2 has a longer cable group & black liner.)



Issue Date: 23/12/03  
 Issue No: 1

Item	Part No	Description	Item	Part No	Description
--	120/742901	Torch Complete (150.V2 & 160.V2)	5	120/452090	Contact Spring (180.V2)
--	120/742405	Torch Complete (180.V2)	6	120/322295	Pushbutton
1	120/722415	Contact Tip 0.6	7	120/990600	Cable Group (150.V2 & 160.V2)
1	120/722416	Contact Tip 0.8	7	120/990601	Cable Group (180.V2)
2	120/722423	Conical Nozzle	8	120/990465	Complete Handle
3	120/722078	Insulated Swan Neck	9	120/742412	Black Liner (150.V2 & 160.V2)
4	120/990464	Torch Connection Assy	9	120/722431	Black Liner (180/5) 2.75M
5	120/452097	Contact Spring (150.V2 & 160.V2)	--	120/722050NEV	White Gas Hose

**NOTE:** It is our policy to continually improve products and as such we reserve the right to alter data, specifications and component parts without prior notice.

**IMPORTANT:** No liability is accepted for incorrect use of this equipment

**WARRANTY:** Guarantee is 12 months from purchase date, proof of which will be required for any claim.

**INFORMATION:** For a copy of our latest catalogue and promotions call us on 01284 757525 and leave your full name and address including your postcode.



Sole UK Distributor  
 Sealey Group,  
 Bury St. Edmunds, Suffolk.

01284 757500  
 01284 703534

www.sealey.co.uk  
 sales@sealey.co.uk

