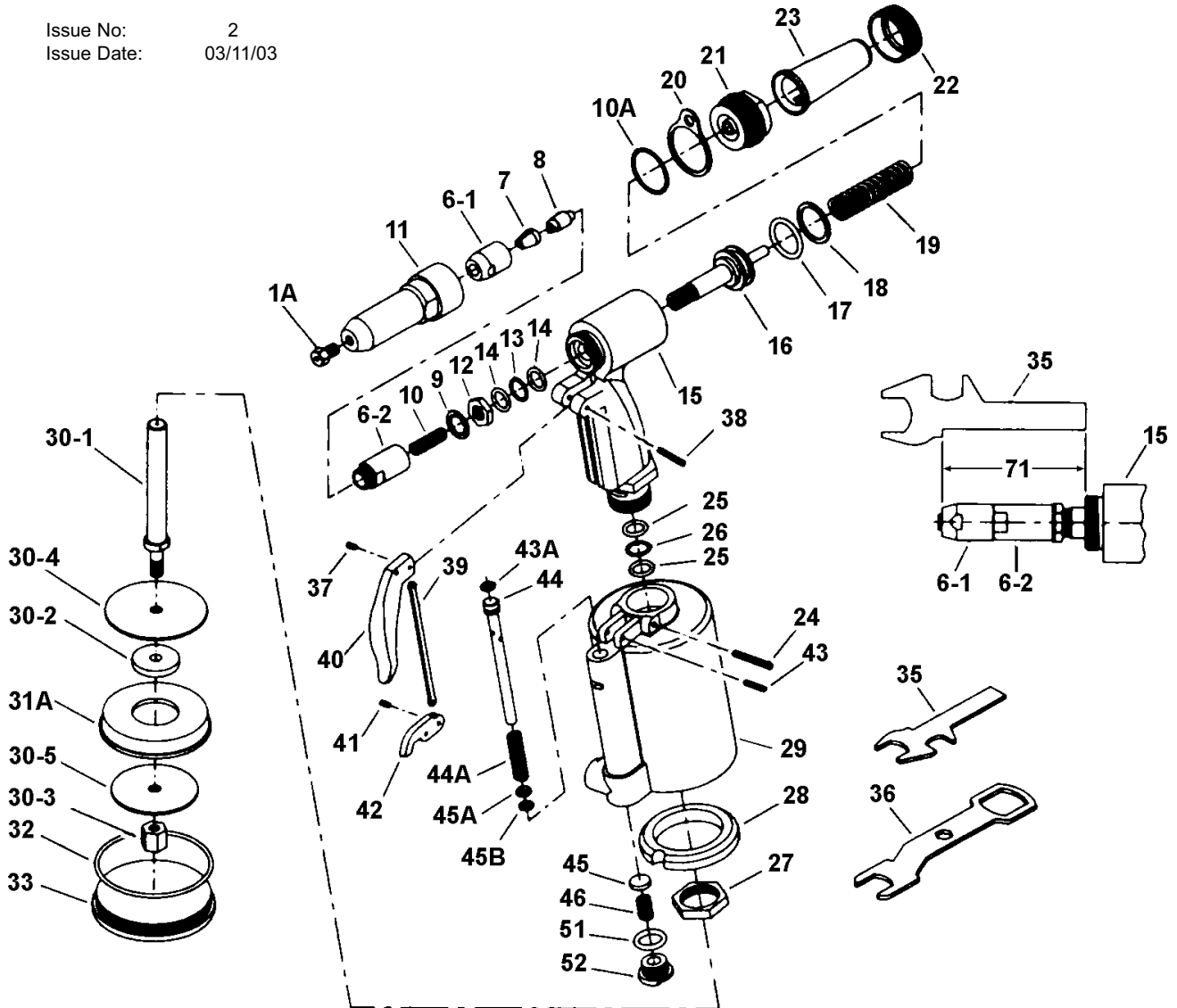


SEALEY

POWER TOOLS

PARTS FOR:
AIR/HYDRAULIC RIVETER
Model: **SA31**

Issue No: 2
Issue Date: 03/11/03



Item	Part No.	Description	Item	Part No.	Description	Item	Part No.	Description
1A	SA31T/01A	Nosepiece, 3/16"	18	SA31T/18	Back-Up Ring	33	SA31T/33	Cylinder Cap
1B	SA31T/01B	Nosepiece, 5/32"	19	SA31T/19	Return Spring	35	SA31T/35	Spanner/Gauge
1C	SA31T/01C	Nosepiece, 1/8"	20	SA31T/20	Hanging Clip	36	SA31T/36	Spanner
1D	SA31T/01D	Nosepiece, 3/32"	21	SA31T/21	Frame Cap	37	SA31T/37	Trigger Pin
6-1	SA31T/06-01	Front Jaw Case	22	SA31T/22	Frame Cap Nut	38	SA31T/38	Connector
6-2	SA31T/06-02	Rear Jaw Case	23	SA31T/23	Safety Cap	39	SA31T/39	Trigger Rod
7	SA31T/07	Jaw	24	SA31T/24	Set Screw Pin	40	SA31T/40	Trigger
8	SA31T/08	Jaw Pusher	25	SA31T/25	Back-Up O-Ring	41	SA31T/41	Connector
9	SA31T/09	Case Washer	26	SA31T/26	Back-Up Ring	42	SA31T/42	Trigger Lever
10	SA31T/10	Jaw Pusher Spring	27	SA31T/27	Frame Lock Nut	43	SA31T/43	Lever Pin
10A	SA31T/10A	Frame Cap O-Ring	28	SA31T/28	Rubber Cushion	43A	SA31T/43A	Valve Pusher O-Ring
11	SA31T/11	Frame Head	29	SA31T/29	Air Cylinder	44	SA31T/44	Valve Pusher
12	SA31T/12	Case Lock Nut	30-1	SA31T/30-01	Air Piston Stem	44A	SA31T/44A	Valve Spring
13	SA31T/13	Back-Up Ring	30-2	SA31T/30-02	Air Piston	45	SA31T/45	Valve
14	SA31T/14	Back-Up O-Ring	30-3	SA31T/30-03	Air Piston Lock Nut	45A	SA31T/45A	Valve Collar
15	SA31T/15	Frame	30-4	SA31T/30-4	Large Plate	45B	SA31T/45B	Collar O-Ring
16	SA31T/16	Oil Piston	30-5	SA31T/30-5	Small Plate	46	SA31T/46	Valve Spring
17	SA31T/17	Oil Piston O-Ring	31A	SA31T/31	Air Piston Ring	51	SA31T/51	Valve Cap O-Ring
			32	SA31T/32	Cylinder O-Ring	52	SA31T/52	Valve Cap

SEALEY POWER TOOLS

Sole UK Distributor,
Sealey Group, Bury St. Edmunds, Suffolk.

01284 757500

01284 703534

E-mail: sales@sealey.co.uk