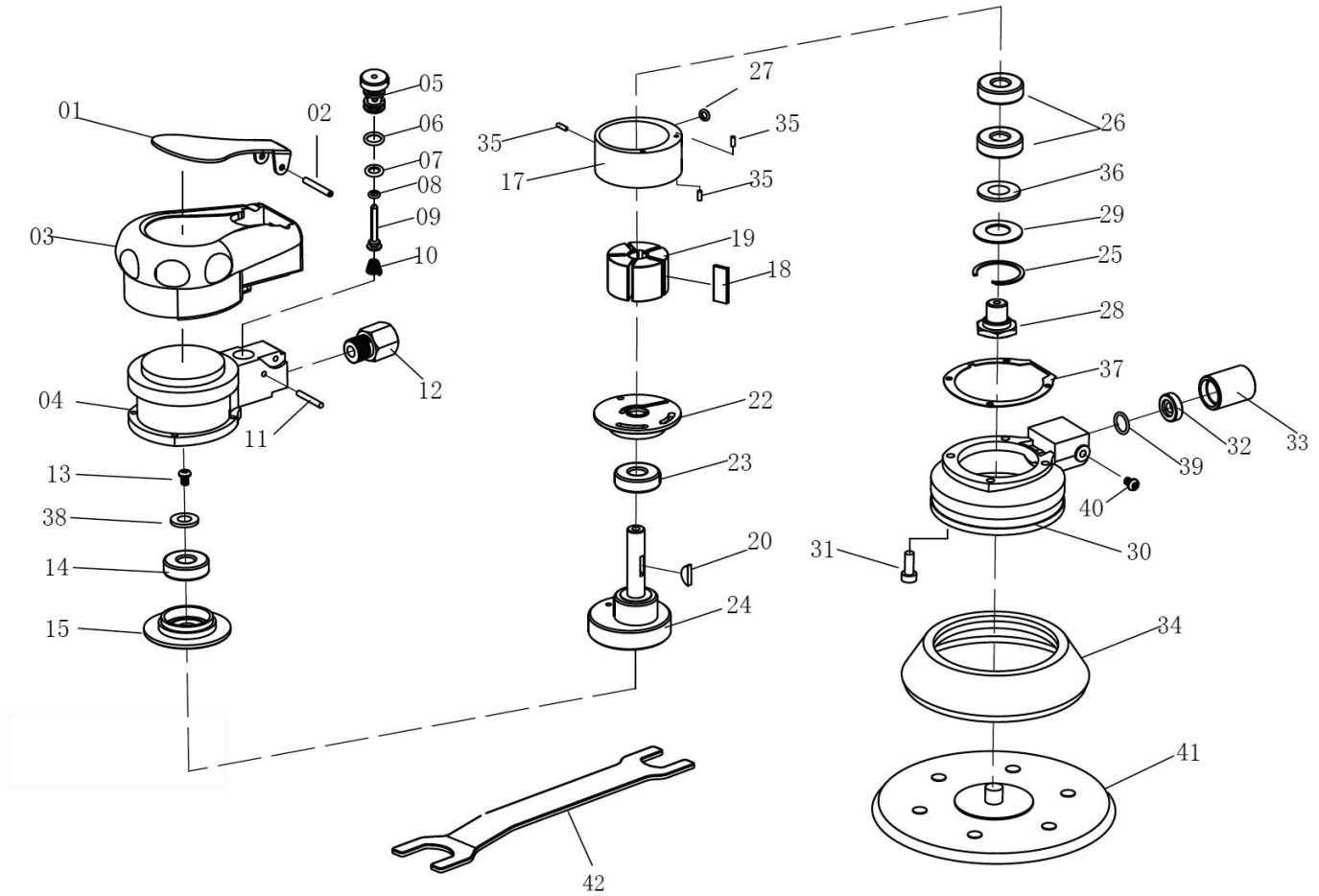


PARTS FOR :
AIR PALM ORBITAL SANDER 150mm
MODEL : SA08



ISSUE : 2
 ISSUE DATE : 19/06/13

ITEM	PART NO	DESCRIPTION	ITEM	PART NO	DESCRIPTION
1	SA08.01	VALVE LEVER	23	SA08.23	BEARIN
2	SA08.02	SPRING PIN	24	SA08.24	ROTOR SHAFT
3	SA08.03	BODY COVER	25	SA08.25	SNAP RING
4	SA08.04	BODY	26	SA08.26	BEARING
5	SA08.05	VALVE PIN SLEEVE	27	SA08.27	O-RING
6	SA08.06	O-RING	28	SA08.28	PAD RETAINER
7	SA08.07	O-RING	29	SA08.29	DUST SEAL
8	SA08.08	O-RING	30	SA08.30	BASE RING
9	SA08.09	VALVE	31	SA08.31	SCREW
10	SA08.10	VALVE SPRING	32	SA08.32	SILENCER
11	SA08.11	NEEDLE PIN	33	SA08.33	SILENCER SET
12	SA08.12	AIR INLET	34	SA08.34	HOOD
13	SA08.13	SCREW	35	SA08.35	SPRING PIN
14	SA08.14	BEARING	36	SA08.36	WASHER
15	SA08.15	REAR PLATE	37	SA08.37	WASHER
17	SA08.17	CYLINDER	38	SA08.38	WASHER
18	SA08.18	ROTOR BLADE	39	SA08.39	O-RING
19	SA08.19	ROTOR	40	SA08.40	SCREW
20	SA08.20	KEY	41	PTC/150VA	DA PAD for HOOK & LOOP DISCS 145mm 5/16"
22	SA08.22	FRONT PLATE	42	SA08.42	SPANNER

NOTE: It is our policy to continually improve products and as such we reserve the right to alter data, specifications and component parts without prior notice.

IMPORTANT: No liability is accepted for incorrect use of product.

WARRANTY: Guarantee is 12 months from purchase date, proof of which will be required for any claim.

INFORMATION: For a copy of our latest catalogue and promotions call us on 01284 757525 and leave your full name and address, including postcode.