

fig.1

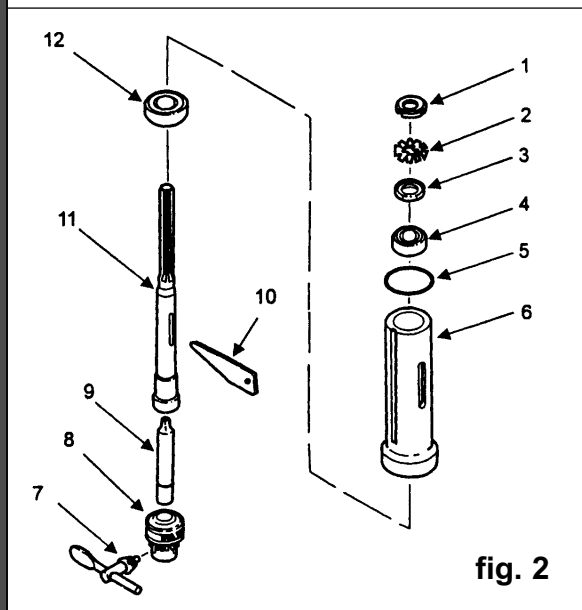


fig. 2

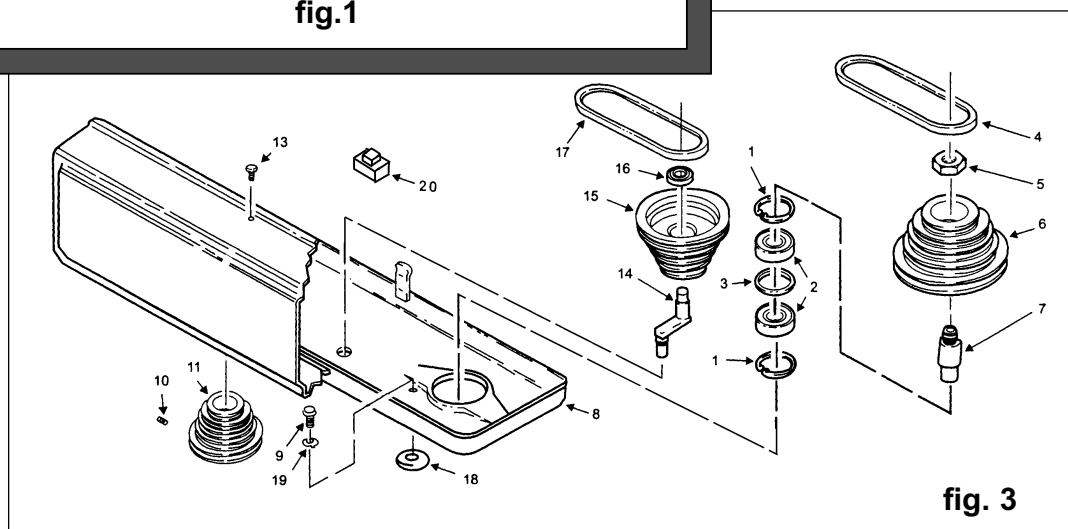


fig. 3

Issue: 3
Date: 231002

Fig. 1

Item	Part No.	Description
1	PDM155B-1-01	Screw, HS M6 x 1.0-10
2	PDM155B-1-02	Collar, Rack
3	PDM155B-1-03	Gear, Helical
4	PDM155B-1-04	Crank
6	PDM155B-1-06	Table
7	PDM155B-1-07	Clamp, Table
8	PDM155B-1-08	Screw, HH M16 x 20-35
9	PDM155B-1-09	Arm, Table cw Scale
10	PDM155B-1-10	Base
11	PDM155B-1-11	Support, Column
12	PDM155B-1-12	Screw, HH M10 x 1.5-40
13	PDM155B-1-13	Screw, HS M10 x 1.5-12
14	PDM155B-1-14	Tube, Column
15	PDM155B-1-15	Rack
16	PDM155B-1-16	Clamp, Column
17	PDM155B1-17	Support, Table cw Indicator
18	PDM155B-1-18	Worm, Elevation
19	PDM155B-1-19	Pin, Gear

Fig. 2

Item	Part No.	Description
1	PDM155B-2-01	Nut, Lock
2	PDM155B-2-02	Ring, Locking
3	PDM155B-2-03	Washer
4	PDM155B-2-04	Bearing, 17mm
5	PDM155B-2-05	Washer, Rubber
6	PDM155B-2-06	Tube, Quill
7	PDM155B-2-07	Key, Chuck
8	PDM155B-2-08	Chuck
9	PDM155B-2-09	Arbor
10	PDM155B-2-10	Key, Drift
11	PDM155B-2-11	Spindle
12	PDM155B-2-12	Bearing

Fig. 3

Item	Part No.	Description
1	PDM155B-3-01	Ring, Retaining
2	PDM155B-3-02	Bearing, 25mm
3	PDM155B-3-03	Spacer, Bearing
4	PDM155B-3-04	V Belt, M24
5	PDM155B-3-05	Nut, Pulley
6	PDM155B-3-06	Pulley, Spindle
7	PDM155B-3-07	Insert, Pulley
8	PDM155B-3-08	Guard, Pulley cw Labels
9	PDM155B-3-09	Screw, RH M6 x 1.0-16
10	PDM155B-3-10	Screw, Set M10 x 1.5-12
11	PDM155B-3-11	Pulley, Motor
13	PDM155B-3-13	Screw, PH M5 x 0.8-12
14	PDM155B-3-14	Pivot, Idler
15	PDM155B-3-15	Pulley, Centre
16	PDM155B-3-16	Bearing, 15mm
17	PDM155B-3-17	V Belt
18	PDM155B-3-18	Washer, Foam
19	PDM155B-3-19	Lock Washer, External M6
20	PDM-MS	Micro Switch



01284 757500



01284 703534

E-mail: sales@sealey.co.uk
Web: www.sealey.co.uk

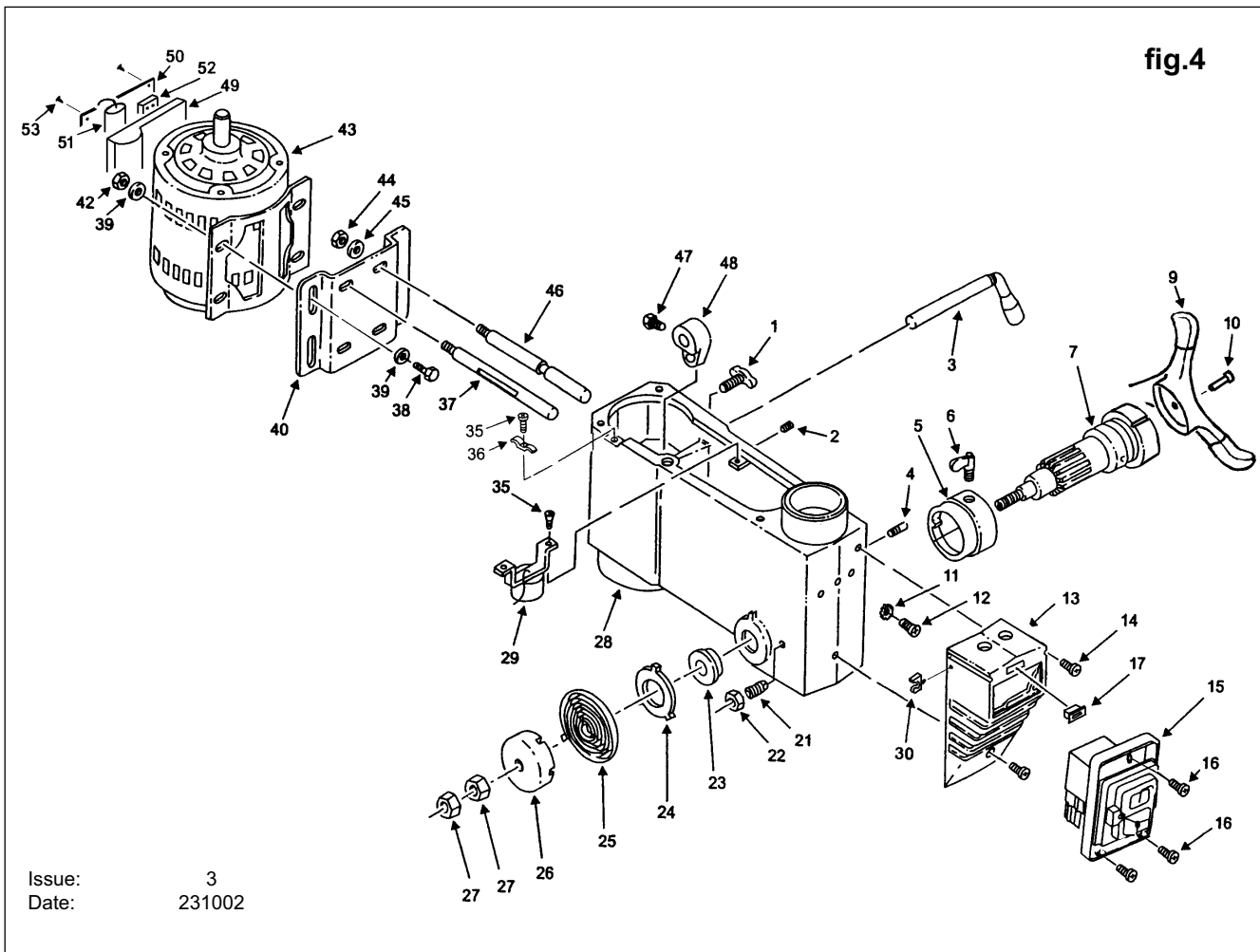


Fig. 4

Item	Part No.	Description
1	PDM155B-4-01	Knob, Motor Adjusting
2	PDM155B-4-02	Screw, Socket M10 x 1.5-12
3	PDM155B-4-03	Handle, Belt Tension
4	PDM155B-4-04	Pin, Stop
5	PDM155B-4-05	Ring, Depth Stop cw Scale
6	PDM155B-4-06	Lock, Depth Screw
7	PDM155B-4-07	Hub
9	PDM155B-4-09	Handle
10	PDM155B-4-10	Bolt
11	PDM155B-4-11	Lock Washer, External M5
12	PDM155B-4-12	Screw, PH M5 x 0.8-8
13	PDM155B-4-13	Box, Switch
14	PDM155B-4-14	Screw, PH M5 x 1.8-8
15	PDM155B-4-15	Switch, No Volt
16	PDM155B-4-16	Screw, PH M4.2 x 1.4-8
17	PDM155B-4-17	Switch
21	PDM155B-4-21	Screw, Spec'l M10 x 1.5-27
22	PDM155B-4-22	Hex. Nut, M10
23	PDM155B-4-23	Seat, Spring
24	PDM155B-4-24	Retainer, Spring
25	PDM155B-4-25	Spring, Torsion
26	PDM155B-4-26	Cap, Spring

Fig. 4 Continued

Item	Part No.	Description
27	PDM155B-4-27	Hex. Nut, M12 x 1.5-8
28	PDM155B-4-28	Head cw Pointer and Trim
29	PDM155B-4-29	Bulb Holder
30	PDM155B-4-30	Clip, Chuck Key
35	PDM155B-4-35	Screw, PH M6 x 1.0-12
36	PDM155B-4-36	Clamp, Cord
37	PDM155B-4-37	Support, Motor Bracket
38	PDM155B-4-38	Screw, HH M8 x 1.25-20
39	PDM155B-4-39	Washer, 8 x 16 x 1.6
40	PDM155B-4-40	Mount, Motor
42	PDM155B-4-42	Hex. Nut, M8 x 1.25
43	PDM155B-4-43	Motor
44	PDM155B-4-44	Hex. Nut, M12 x 1.75
45	PDM155B-4-45	Lock Washer, 1-2"
46	PDM155B-4-46	Support, Motor Bracket
47	PDM155B-4-47	Screw, HH M8 x 1.25-16
48	PDM155B-4-48	Lever, Adjusting
49	PDM155B-4-49	Terminal Box
50	PDM155B-4-50	Cover, Terminal Box
51	PDM155B-4-51	Capacitor
52	PDM155B-4-52	Terminal Block
53	PDM155B-4-53	Screw



01284 757500



01284 703534

E-mail: sales@sealey.co.uk

Web: www.sealey.co.uk