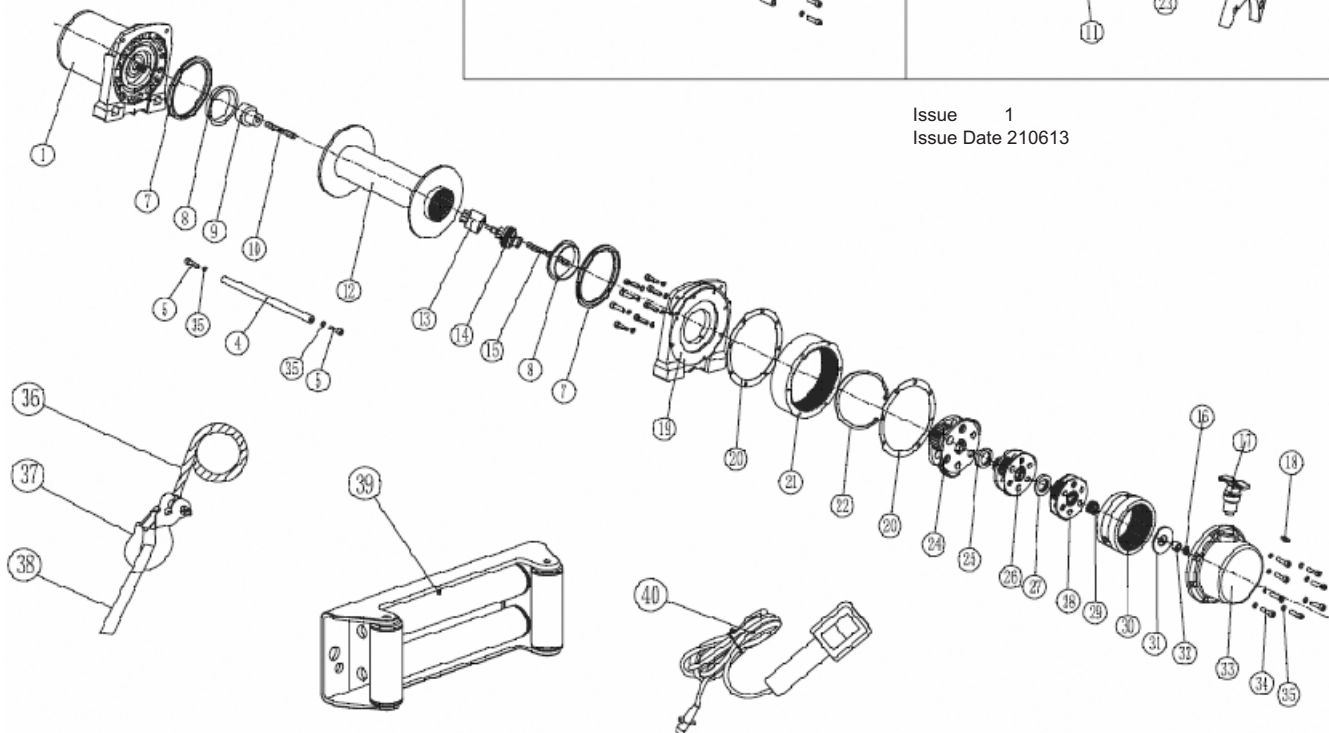


Issue 1  
 Issue Date 210613



ITEM	PART NO.	DESCRIPTION	ITEM	PART NO.	DESCRIPTION
1	SRW5450.01	MOTOR ASSEMBLY (FOR SRW5450)	22	SRW5450.22	RETAINING RING
1	SRW4300.01	MOTOR ASSEMBLY (FOR SRW4300)	24	SRW5450.24	STAGE PLANETARY GEAR ASS'Y
1	SRW2720.01	MOTOR ASSEMBLY (FOR SRW2720)	25	SRW5450.25	REDUCE WASHER (RUBBER)
2	SRW5450.02	CONTROL BOX (FOR SRW4300/SRW5450)	26	SRW5450.26	STAGE PLANETARY GEAR ASS'Y
3	SRW5450.03	HEX SOCKET CAP SCREW (M6x35) (FOR SRW4300/SRW5450).	27	SRW5450.27	REDUCE WASHER (RUBBER)
4	SRW5450.04	CLUTCH BAR (FOR SRW4300/SRW5450)	28	SRW5450.28	STAGE PLANETARY GEAR ASS'Y
5	SRW5450.05	HEX SOCKET CAP SCREW (M6x25) (FOR SRW4300/SRW5450).	29	SRW5450.29	STAGE GEAR (1st)
6	SRW5450.06	NUT (M6)	30	SRW5450.30	GEAR RING (1st & 2nd)
7	SRW5450.07	SEAL RING	31	SRW5450.31	REDUCE WASHER (RUBBER)
8	SRW5450.08	SLIDE BEARING	32	SRW5450.32	SLIDE BEARING
9	SRW5450.09	SHAFT-CONNECTOR	33	SRW5450.33	GEARBOX BODY
10	SRW5450.10	HEX SHAFT	34	SRW5450.34	HEX SOCKET CAP SCREW (M6x25)
11	SRW5450.11	HEX SOCKET CAP SCREW (M6x25)	35	SRW5450.35	SPRING WASHER
12	SRW5450.12	DRUM	36	SRW5450.DR	DYNEEMA ROPE 9MM X 26M (FOR SRW4300/SRW5450).
13	SRW5450.13	BRAKE COUPLING	36	SRW5450.WR	WIRE ROPE 9.2MM X 26M (FOR SRW4300/SRW5450).
14	SRW5450.14	BRAKE ASSEMBLY	36	SRW2720.DR	DYNEEMA ROPE 7.2MM X 32M (FOR SRW2720)
15	SRW5450.15	HEX SHAFT (B)	36	SRW2720.WR	WIRE ROPE 7.2MM X 32M (FOR SRW2720)
16	SRW5450.16	REDUCE WASHER (RUBBER)	37	WH.02	WINCH HOOK 5/16" (FOR SRW2720)
17	SRW5450.17	CLUTCH	37	WH.03	WINCH HOOK 3/8" (FOR SRW4300/SRW5450).
18	SRW5450.18	HEX SOCKET SET SCREW (M4x8)	38	SRW5450.38	HAND SAVER
19	SRW5450.19	GEARBOX FRAME	39	SRW5450.39	FAIR LEAD
20	SRW5450.20	SEAL	40	SRW5450.40	REMOTE CONTROL
21	SRW5450.21	STAGE GEAR RING (3rd)	41	SRW5450.41	HARDWARE KIT

**NOTE:** It is our policy to continually improve products and as such we reserve the right to alter data, specifications and component parts without prior notice.

**IMPORTANT:** No liability is accepted for incorrect use of product.

**WARRANTY:** Guarantee is 12 months from purchase date, proof of which will be required for any claim.

**INFORMATION:** For a copy of our latest catalogue and promotions call us on 01284 757525 and leave your full name and address, including postcode.