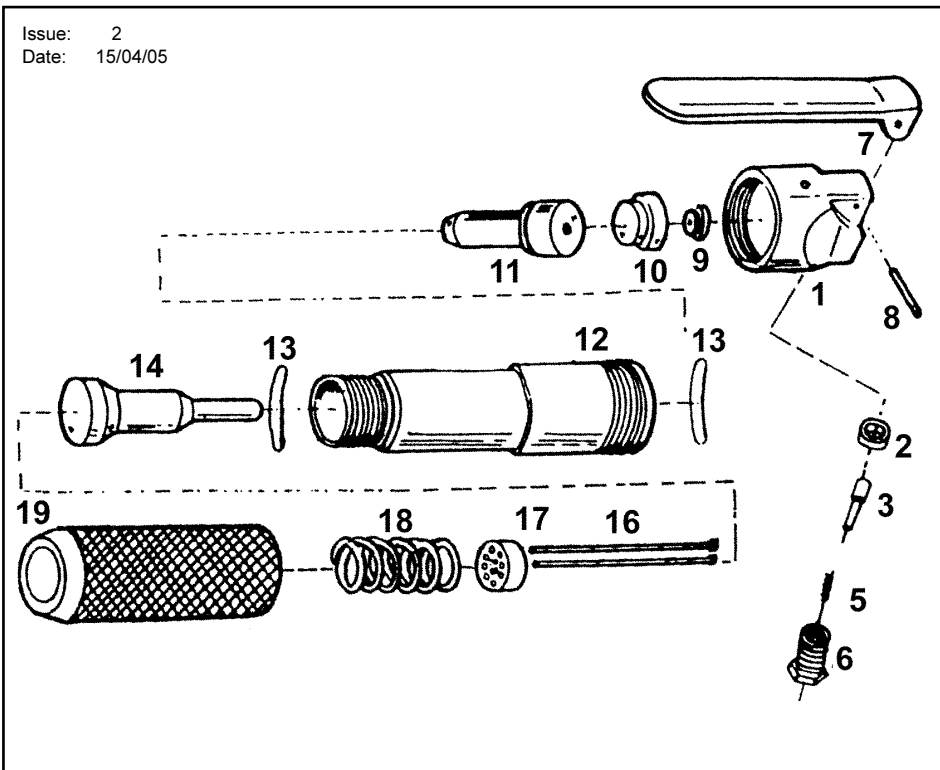


Issue: 2  
 Date: 15/04/05



Item	Part No	Description	Item	Part No	Description
1	SA51-01	Backhead	11	SA51-11	Piston
2	SA51-02	O-Ring	12	SA51-12	Barrel sleeve
3	SA51-03	Throttle valve	13	SA51-13	O-Ring
5	SA51-05	Spring	14	SA51-14	Needle driver
6	SA51-06	Valve cap	16	SA51-16	Needle (pack of 12)
7	SA51-07	Lever	17	SA51-17	Needle holder
8	SA51-08	Pin	18	SA51-18	Spring for needles
9	SA51-09	Rubber cushion	19	SA51-19	Needle tube
10	SA51-10	Rear valve block			

**NOTE:** It is our policy to continually improve products and as such we reserve the right to alter data, specifications and component parts without prior notice. **IMPORTANT:** No liability is accepted for incorrect use of this equipment. **WARRANTY:** Guarantee is 12 months from purchase date, proof of which will be required for any claim. **INFORMATION:** For a copy of our latest catalogue and promotions, call us on 01284 757525 and leave your full name and address including your postcode.

**SEALEY POWER TOOLS** Sole UK Distributor, Sealey Group, Bury St. Edmunds, Suffolk.

01284 757500      01284 703534      sales@sealey.co.uk      www.sealey.co.uk

Thank you for purchasing a Sealey Product. Manufactured to a high standard this product will, if used according to these instructions and properly maintained, give you years of trouble free performance.

**IMPORTANT:** PLEASE READ THESE INSTRUCTIONS CAREFULLY. NOTE THE SAFE OPERATIONAL REQUIREMENTS, WARNINGS AND CAUTIONS. USE THIS PRODUCT CORRECTLY AND WITH CARE FOR THE PURPOSE FOR WHICH IT IS INTENDED. FAILURE TO DO SO MAY CAUSE DAMAGE AND/OR PERSONAL INJURY AND WILL INVALIDATE THE WARRANTY. PLEASE KEEP INSTRUCTIONS SAFE FOR FUTURE USE.

## 1. SAFETY INSTRUCTIONS

- WARNING!** Ensure health & safety, local authority, and general workshop practice regulations are adhered to when using this equipment.
- WARNING!** Disconnect from air supply before changing accessories or servicing.
- ✓ Maintain the needle scaler in good condition and replace any damaged or worn parts. Use genuine parts only. Unauthorised parts may be dangerous and will invalidate the warranty.
- WARNING!** Check correct air pressure is maintained and not exceeded. We recommend 90psi.
- ✓ Keep air hose away from heat, oil and sharp edges. Check air hose for wear before each use and ensure that all connections are secure.
- ✓ Only use needles which are specifically designed for use with a needle scaler.
- ✓ Wear approved safety eye/face shield, ear defenders, and hand protection.
- ✓ Maintain correct balance and footing. Ensure the floor is not slippery and wear non-slip shoes.
- ✓ Keep children and non essential persons away from the working area.
- ✗ DO NOT use the needle scaler for a task it is not designed to perform.
- WARNING!** DO NOT use needle scaler if damaged or thought to be faulty. (Contact Sealey service agent).
- ✗ DO NOT use needle scaler unless you have been instructed in its use by a qualified person.
- ✗ DO NOT carry the needle scaler by the air hose, or yank the hose from the air supply.
- ✗ DO NOT operate needle scaler if you are tired or under the influence of alcohol, drugs or intoxicating medication.
- ✗ DO NOT carry needle scaler with your hand on the power trigger in order to avoid unintentional starting.
- ✗ DO NOT direct air from the air hose at yourself or others.
- ✓ When not in use disconnect from air supply and store in a safe, dry, childproof location.

## 2. INTRODUCTION & SPECIFICATIONS

The SA51 is suitable for cleaning heavy paint and rust scale from metal surfaces. It has a palm control trigger mechanism and replaceable scaler needles.

Stroke . . . . .16mm  
 Free speed . . . . .4000bpm  
 Air consumption . . . . .4cfm  
 Noise level . . . . .92.8dB(A)

Operating pressure . . . . .90psi  
 Air inlet size . . . . .1/4" BSP  
 Weight . . . . .1.2kg  
 Vibration . . . . .18m/s<sup>2</sup>