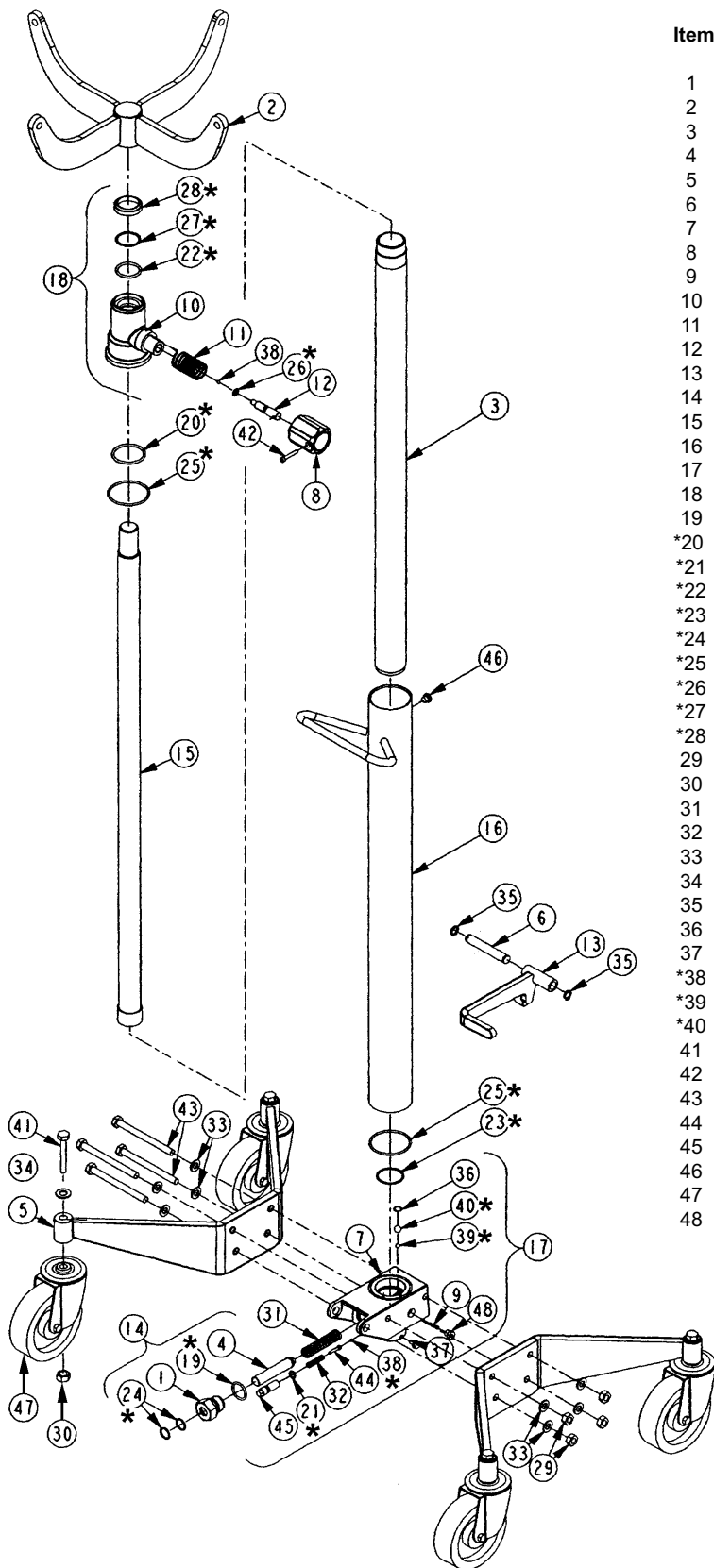


**TELESCOPIC TRANSMISSION JACK**

Models:	<b>300GA.V2</b>	<b>600GA.V2</b>	<b>1000GA.V2</b>	<b>1250GA.V2</b>
---------	-----------------	-----------------	------------------	------------------



Item	300/600GA Part Nos.	1000/1250GA Part Nos.	Description
1	100/9052700	100/9052700	Guide pump piston
2	100/9055100	100/9057100	Forked lifting saddle
3	100/9055500	100/9055500	Cylinder tube
4	100/9055700	100/9055700	Pump piston
5	100/9056900	100/9057400	Base
6	100/9060600	100/9060600	Spike for pedal
7	100/9060900	100/9060900	Pump block
8	100/9061100	100/9061100	Release handle
9	100/02026	100/02026	Screw
10	100/9061400	100/9061300	Cylinder nut
11	100/9062400	100/9062400	Spring
12	100/9062800	100/9062800	Valve spindle
13	100/9062900	100/9062900	Pedal
14	100/9083100	100/9083100	Pump piston complete
15	100/9090100	100/9090200	Piston rod
16	100/9090400	100/9090400	Reservoir
17	100/9083200	100/9083200	Pump block complete
18	100/9090600	100/9083300	Cylinder nut complete
19	100/01004	100/01004	O-ring
*20	100/01020	100/01020	O-ring
*21	100/01040	100/01040	O-ring
*22	100/01049	100/01017	O-ring
*23	100/01058	100/01058	O-ring
*24	100/01069	100/01069	O-ring
*25	100/01070	100/01070	O-ring
*26	100/01086	100/01086	O-ring
*27	100/01157	100/01156	Back up ring
*28	100/01261	100/01261	Scraper ring
29	100/02002	100/02002	Nut
30	100/02005	100/02005	Nut
31	100/02039	100/02039	Spring/pump piston
32	100/02038	100/02038	Spring/pressure valve
33	100/02116	100/02116	Washer
34	100/02121	100/02121	Washer
35	100/02203	100/02203	Circlip
36	100/02214	100/02214	Circlip
37	100/02281	100/02281	Screw
*38	100/02290	100/02290	Ball 4.5
*39	100/02292	100/02292	Ball 6.5
*40	100/02295	100/02295	Ball 11.0
41	100/02300	100/02300	Bolt
42	100/02324	100/02324	Screw
43	100/02335	100/02335	Bolt
44	100/02340	100/02340	Screw
45	100/02384	100/02384	Adjusting screw
46	100/02448	100/02448	Filling screw
47	100/02280	100/02449	Wheel, complete
48	100/02483	100/02483	Plug
*100/0903800		*100/0903800	*Repair kit

Items marked with an asterisk are only available as part of the repair kit shown above.

Issue .....1  
Issue date .....28/01/04