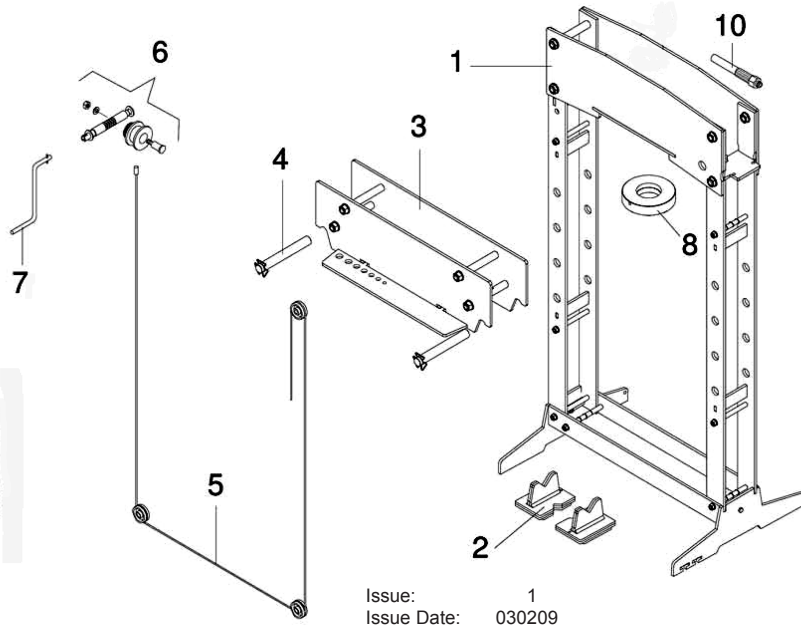


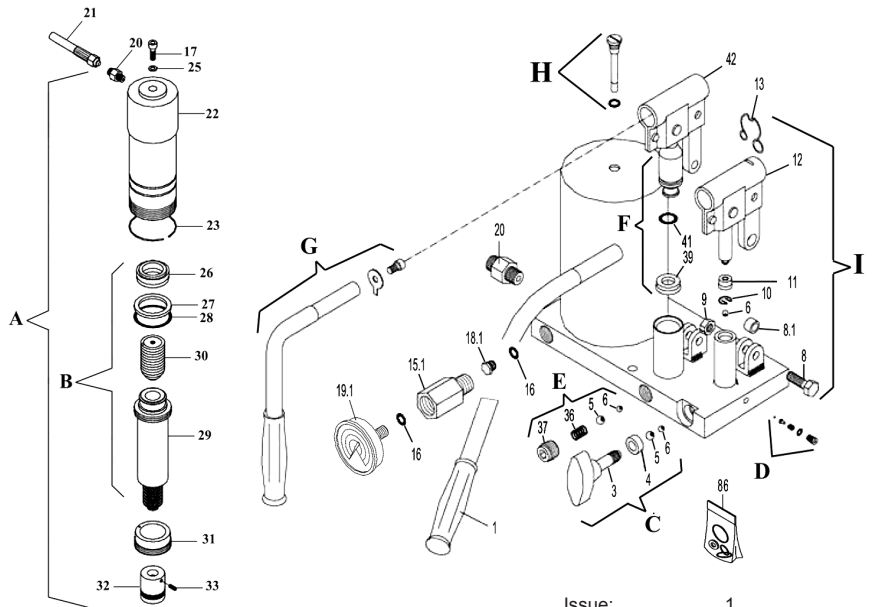
PARTS FOR:
HYDRAULIC PRESS 50ton FLOOR TYPE
MODEL: YK50FM.V3



ITEM	PART NO	DESCRIPTION
1	KCK-50A-C1M	FRAME ASS'Y
2	KPD-50AM-C15	V-BLOCK
3	KCK-50AM-C44	TABLE
	CSK-15-2038	PRESS PIN 3t (not shown)
	CSK-15-2039	PRESS PIN 8t (not shown)
	CSK-15-2040	PRESS PIN 12t (not shown)
	CSK-15-2041	PRESS PIN 14t (not shown)
	CSK-15-2042	PRESS PIN 16t (not shown)
	CSK-15-2043	PRESS PIN 18t (not shown)
	CSK-15-2044	PRESS PIN 20t (not shown)
4	KPD-50AM-C92	TABLE SUPPORT PIN
5	KCK-50A-C89M	WIRE
6	KCK-50A-C88	WORM GEAR SHAFT ASS'Y
7	KCK-50-C64	WINDING HANDLE
8	CM-50/1508	NUT, RAM RETAINING
10	KSCM-15-1381	PIPE
	BKD-09	HYDRAULIC UNIT (not shown)

Issue: 1
 Issue Date: 030209

ITEM	PART NO	DESCRIPTION
1	BK05-C21M	PUMPING HANDLE
3	BM-04/1125	RELEASE VALVE KNOB
4	MG-2/1130	O-RING
5	ME-1501/1212	LARGE STEEL BALL (7.7mm)
6	ME-1501/1149	SMALL STEEL BALL (5.4mm)
8	KCK-15/1309	SCREW
8.1	BKN-07/1475	BUSHING
9	EF-1,5/1318	NUT
10	MG-2/1161	CIRCLIP
11	MG-2/1133	SEAL
12	BK-1/C7	HANDLE SOCKET (S)
13	BK-1/1282	CLIP
15.1	A-5578	CONNECTOR
16	MB-22-A/1130	O-RING
17	CS-100A/1383	SCREW
18.1	MGK-15/1485	PLUG, GAUGE ELBOW FITTING
19.1	A-5110	GAUGE WITH REAR FITTING
20	KCK-15/2121	CONNECTOR
21	KSCM-15-1381	PIPE
22 (A)	CMK-50	CYLINDER
23	CK-50/1674	CHECK RING
25	NS-1/1530	SEAL
26	ME50001/1134H	SEAL
27	CSK-50/1164	RING
28	CSK-50/1348	O-RING
29	K-50/C14	RAM
30	CMK-50/1240	SPRING
31	CMK-50/1102	GUIDE
32	CK-50/1108	PISTON HEAD
33	YMK-15/1408	GRUB SCREW
36	ME-1501/1162	SPRING
37	Y-2/1160	SCREW
39	ME-1501/1134	STEEL BALL
41	TR-2/12898	O-RING
42	BKD-07/C7	HANDLE SOCKET
86	RCMK-50	REPAIR KIT (for Ram)
	RBKD-09	REPAIR KIT (For Hyd Unit)
A	CMK-50	RAM ASS'Y
B	CMK-50-C14M	MAIN PISTON
C	BM04-C11M	RELEASE KNOB ASS'Y
D	MG-2/C9	SAFETY VALVE
E	BKD-09-C10	PLUG ASS'Y
F	BKD-09-C36M	HANDLE SOCKET ASS'Y (Large)
G	BKD-09-C21M	PUMPING HANDLE
H	BKD09-C55M	PLUG
I	BK05-C7M	HANDLE SOCKET ASS'Y (Small)



Issue: 1
 Issue Date: 030209

NOTE: It is our policy to continually improve products and as such we reserve the right to alter data, specifications and component parts without prior notice.

IMPORTANT: No liability is accepted for incorrect use of product.

WARRANTY: Guarantee is 12 months from purchase date, proof of which will be required for any claim.

INFORMATION: For a copy of our latest catalogue and promotions call us on 01284 757525 and leave your full name and address, including postcode.