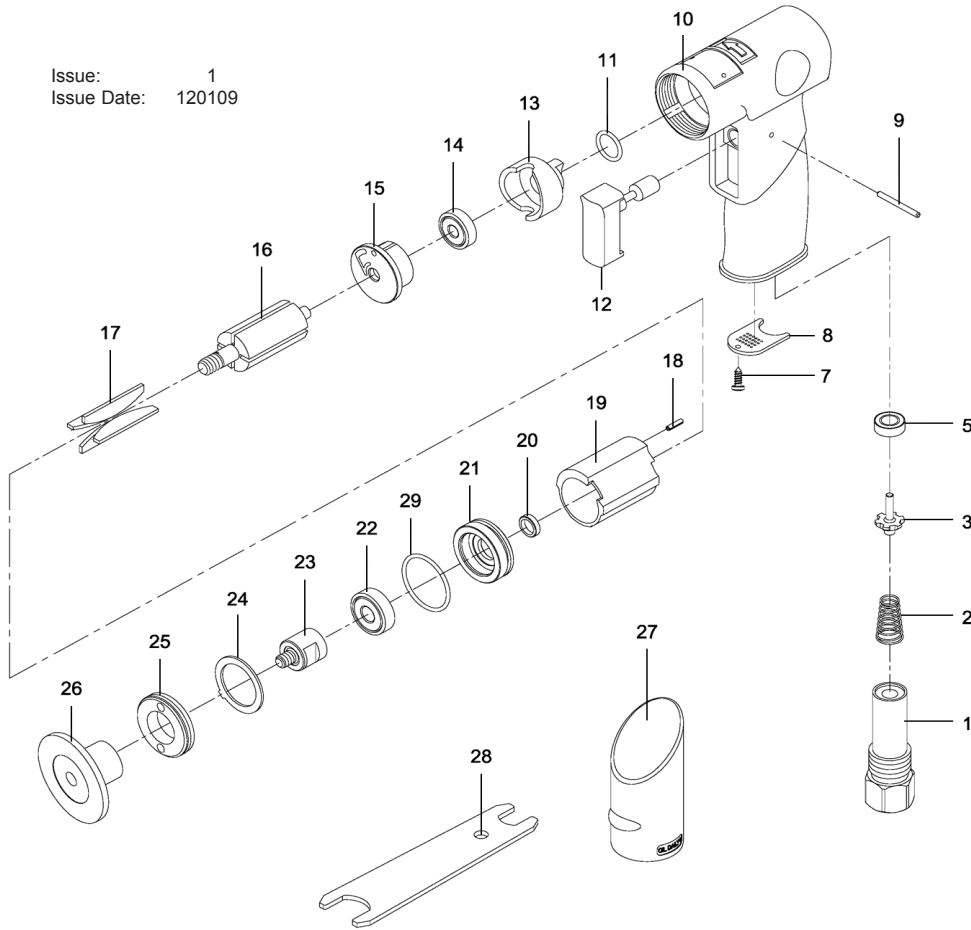


Issue: 1
 Issue Date: 120109



ITEM	PART NO	DESCRIPTION	ITEM	PART NO	DESCRIPTION
1	SA720.01	AIR INLET	22	B/608ZZ	BEARING
2	SA720.02	SPRING	23	SA720.23	SPINDLE
3	SA720.03	VALVE STEM	24	SA720.24	SPACER
5	SA720.05A	RUBBER SPACER	25	SA720.25	MOTOR LOCK NUT
7	SA720.07	SCREW	26	SA720.26	2" PAD
8	SA720.08	DIFFUSER	27	SA720.27	RUBBER GRIP
9	SA720.09	PIN	28	SA720.28	SPANNER
10	SA720.10	MOTOR HOUSING	29	SA720.V2-29	O-RING
11	SA720.11	O-RING			
12	SA720.12	TRIGGER			
13	SA720.13A	AIR REGULATOR			
		(c/w O-RING)			
14	B/626ZZ	BEARING			
15	SA720.15	REAR PLATE			
16	SA720.16	ROTOR			
17	SA720.17	ROTOR BLADES			
18	SA720.18	SPRING PIN			
19	SA720.19	CYLINDER			
20	SA720.20	ROTOR BUSH			
21	SA720.V2-21	FRONT PLATE			

ACCESSORIES (not shown)

SA720D120G	SANDING DISC 120GRIT FOR SA720 x 10
SA720D60G	SANDING DISC 60 GRIT FOR SA720 x 10
SA720D80G	SANDING DISC 80 GRIT FOR SA720 x 10
SA720PPC	PREPARATION PAD FOR SA720 COARSE x 3
SA720PPF	PREPARATION PAD FOR SA720 FINE x 3
SA720PPM	PREPARATION PAD FOR SA720 MEDIUM x 3

NOTE: It is our policy to continually improve products and as such we reserve the right to alter data, specifications and component parts without prior notice.

IMPORTANT: No liability is accepted for incorrect use of product.

WARRANTY: Guarantee is 12 months from purchase date, proof of which will be required for any claim.

INFORMATION: For a copy of our latest catalogue and promotions call us on 01284 757525 and leave your full name and address, including postcode.