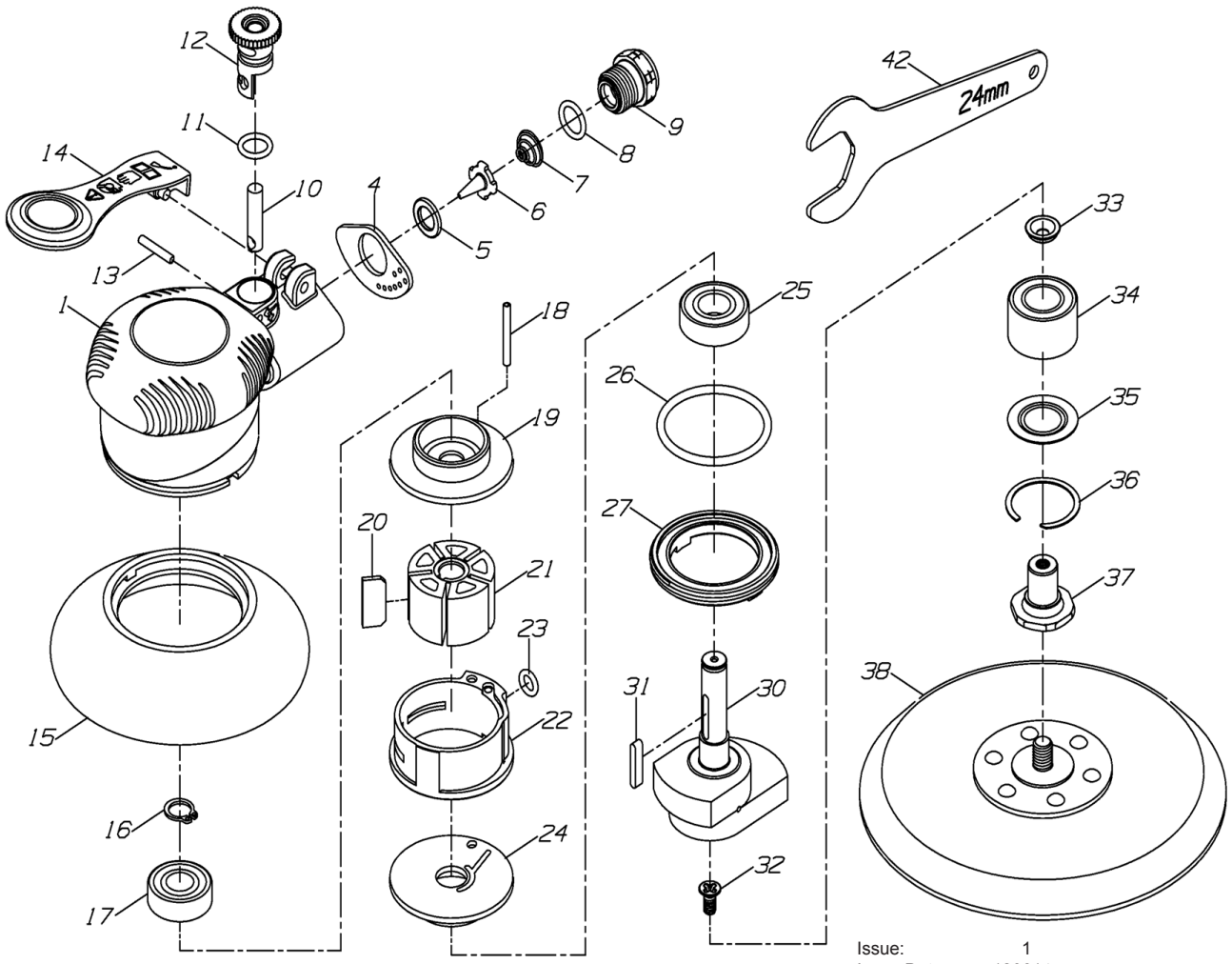




PARTS FOR:  
**AIR PALM ORBITAL SANDER 150mm**  
 MODEL: **SA800.V5**



Issue: 1  
 Issue Date: 120614

ITEM	PART NO	DESCRIPTION
1	SA800.V5-01	HOUSING
--	SA800.V5-02	HOUSING COVER (not shown)
4	SA802.V2-04	EXHUAUST DEFLECTOR
5	SA800.V3-11	SPACER
6	SA800.V3-12	CONTROLLER
7	SA800.V3-13	SPRING
8	SA801.V4-09	O-RING
9	SA801.V3-10	AIR INLET
10	SA800.V3-07	VALVE STEM
11	SA800.V3-04	O-RING
12	SA801.V3-04	REGULATOR
13	SA800.V3-08	PIN
14	SA800.V5-14	LEVER
15	SA800.V5-15	COVER
16	SA800.V3-18	RETAINING RING
17	SA800.V3-19	BALL BEARING '6000ZZ'
18	SA800.V3-21	PIN
19	SA800.V3-20	REAR PLATE
20	SA802.V2-20	ROTOR BLADE

ITEM	PART NO	DESCRIPTION
21	SA800.V3-22	ROTOR
22	SA800.V3-24	CYLINDER
23	SA800.V3-25	O-RING
24	SA800.V3-26	FRONT PLATE
25	SA800.V3-27	BALL BEARING '6001ZZ'
26	SA800.V3-28	O-RING
27	SA800.V3-29	MOTOR COVER
30	SA801.V5-35	ROTOR SHAFT
31	SA800.V3-41	KEY
32	SA800.V4-44	SCREW
33	SA800.V4-45	WASHER
34	SA800.V4-33	DOUBLE BEARING 800ZZ
35	SA800.V3-35	WASHER
36	SA800.V3-36	RETAINING RING
37	SA800.V3-37	DRIVE SPINDLE
38	PTC/150VA	DA PAD for HOOK & LOOP DISCS 145mm 5/16"
	SA801.V5-43	6" VELCRO PAD
42	SA800.V3-40	WRENCH

**NOTE:** It is our policy to continually improve products and as such we reserve the right to alter data, specifications and component parts without prior notice.  
**IMPORTANT:** No liability is accepted for incorrect use of product.  
**WARRANTY:** Guarantee is 12 months from purchase date, proof of which will be required for any claim.  
**INFORMATION:** For a copy of our latest catalogue and promotions call us on 01284 757525 and leave your full name and address, including postcode.

	<b>Sole UK Distributor,</b> <b>Sealey Group, Kempson Way,</b> Suffolk Business Park, Bury St Edmunds, Suffolk, IP32 7AR	<b>01284 757500</b> <b>01284 703534</b>	<a href="http://www.sealey.co.uk">www.sealey.co.uk</a> <a href="mailto:sales@sealey.co.uk">sales@sealey.co.uk</a>
--	--	--	--