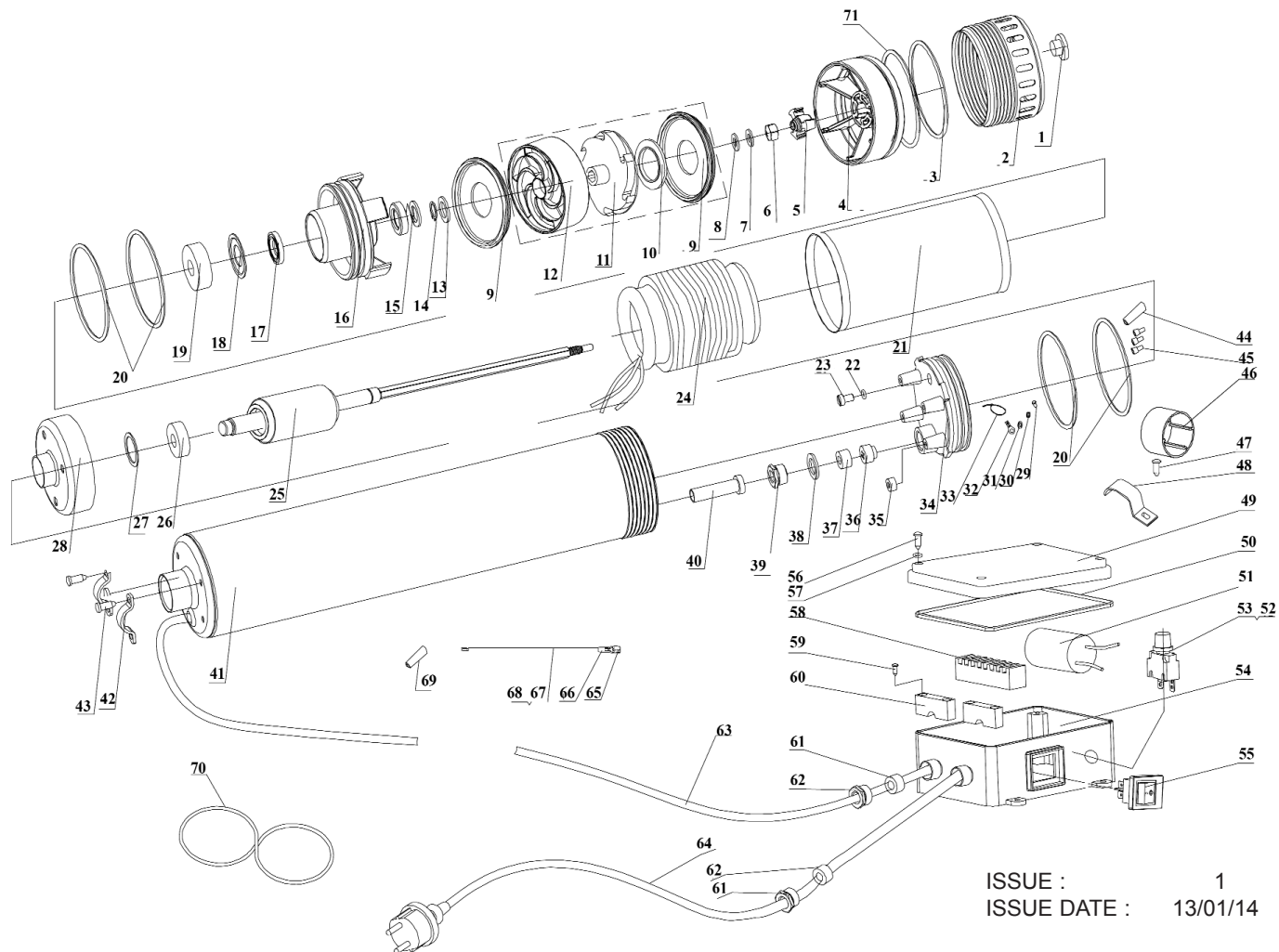




PARTS FOR :
BOREHOLE/DEEP WELL PUMP 55MTR 9 STAGE 230V
MODEL : WPW9355



ISSUE : 1
 ISSUE DATE : 13/01/14

ITEM	PART NO	DESCRIPTION	ITEM	PART NO	DESCRIPTION	ITEM	PART NO	DESCRIPTION
1	WP04701003	BLANKING CAP	25	WP02301064	ROTOR	49	WP04601008	SWITCH BOX COVER
2	WP00610001	BASE	26	WP276	BEARING B6201-2Z	50	WP05101016	O-RING
3	WP05101082	O-RING	27	WP03801001	WAVE WASHER	51	WP16450	CAPACITOR 16uF CAPACITY
4	WP05105009	MAIN BODY SEAL JACKET	28	WP07102001	DISTANCE SLEEVE	52	WP01410002	OVERLOAD PROTECTOR
5	WP05303001	LOCATING RING	29	WP818	SCREW M4X8	53	WP03203009	SEAL WASHER
6	WP6182	NUT (M8)	30	WP934	SPRING WASHER	54	WP04602008	SWITCH BOX BODY
7	WP9718201	FLAT WASHER	31	WP86224	WASHER	55	WP01405007	WATERPROOF SWITCH
8	WP8598201	SPRING WASHER	32	WP04102027	PLATE	56	WP845K	SCREW ST4.2X24
9	WP03603008	DIVERSION DISH COVER	33	WP08501001	CABLE TIE	57	WP05101122	O-RING
10	WP05106001	SEAL FRAME	34	WP02513003	UPPER BEARING FRAME	58	WP04103001	BINDING POST
11	WP00904036	IMPELLER	35	WP03204030	SEAL CATRIDGE	59	WP845H	SELF TAPPING SCREW ST4.2x18
12	WP03601020	DIVERSION PLATE	36	WP03204025	QUADRIPUNTAL SEAL WASHER	60	WP05501003	CABLE GRIP
13	WP03804023	WASHER	37	WP03204031	CABLE SEAL RING	61	WP03204029	CABLE SEAL BLOCK
14	WP894115	SHAFT CHECKING RING	38	WP03804005	BRASS TABLETTING	62	WP06002003	CABLE PRESSING NUT
15	WP06102010	MECHANICAL SEAL	39	WP06003001	LOCKNUT	63	WP01804001	CABLE
16	WP02613001	LOWER BEARING FRAME	40	WP05201013	CABLE JACKET	64	WP087010172	POWER LINE
17	WP05102006	SKELETON SEAL RING	41	WP01011012	STAINLESS STEEL MAIN BODY RINGS	65	WP04102018	SOCKET
18	WP04303008	LANTERN RING	42	WP01203002	SCREW M5X15	66	WP08302001	HEAT SHRINKING TUBE
19	WP276	BEARING B6201-2Z	43	WP818C	HEAT SHRINKING TUBE	67	WP08602010	INTERNAL WIRE
20	WP05101110	O-RING	44	WP08307001	NYLON SAFETY PRESS LINE CAP	68	WP08602012	INTERNAL WIRE
21	WP02411002	STAINLESS STEEL MOTOR CASE	45	WP04101003	CAPACITY BRUSH	69	WP08301001	HEAT SHRINK TUBE
22	WP05101048	O-RING	46	WP04304007	SELF TAPPING SCREW ST4.2x13	70	WP08502003	LIFTING ROPE
23	WP65610201	SCREW M6	47	WP845G	CAPACITY PRESSING BUCKLE	71	WP05101084	O-RING
24	WP02202070	STATOR	48	WP05601005				

NOTE: It is our policy to continually improve products and as such we reserve the right to alter data, specifications and component parts without prior notice.

IMPORTANT: No liability is accepted for incorrect use of product.

WARRANTY: Guarantee is 12 months from purchase date, proof of which will be required for any claim.

INFORMATION: For a copy of our latest catalogue and promotions call us on 01284 757525 and leave your full name and address, including postcode.



Sole UK Distributor,
 Sealey Group, Kempson Way,
 Suffolk Business Park,
 Bury St Edmunds, Suffolk, IP32 7AR



01284 757500

01284 703534



www.sealey.co.uk

sales@sealey.co.uk