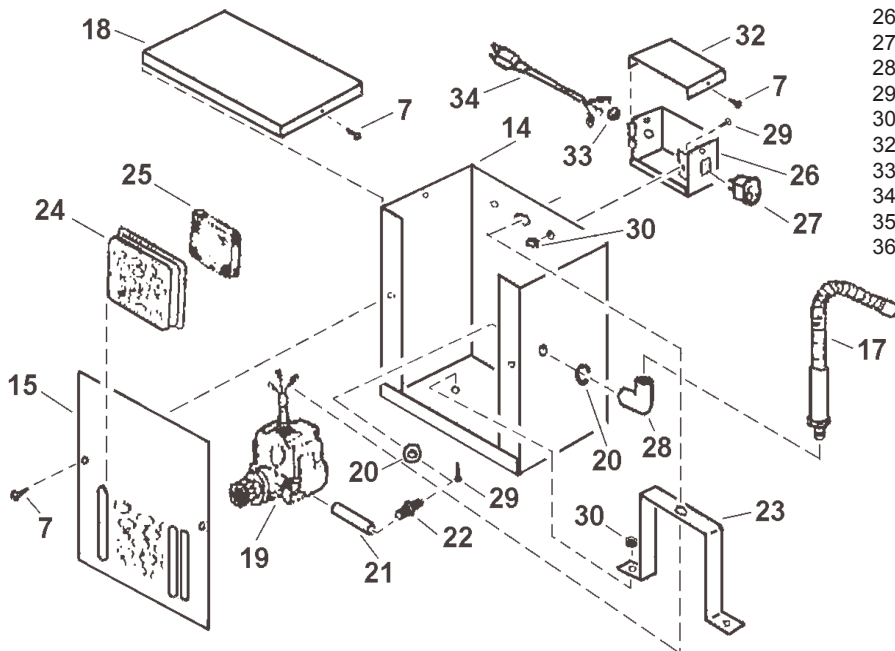


Issue: 1  
Issue Date: 080710

ITEM	PART NO	DESCRIPTION
1	SM30/A01	BODY
2	SM30/A02	COVER
3	SM30/A03	SAFETY LEVER ASS'Y
4	SM30/A04	PAN SCREW
6	SM30/A06	SAFETY LEVER ASS'Y
7	SM30/A07	TAPPING SCREW
8	SM30/A08	OIL PLUG
9	SM30/A09	SHELF
10	SM30/A10	LEG
11	SM30/A11	PAN SCREW
12	SM30/A12	TOOTH WASHER
13	SM30/A13	HEX NUT
14	SM30/A14	PUMP HOUSING
15	SM30/A15	HOUSING FRONT COVER
17	SM30/A17	FLEXIBLE PIPE
18	SM30/A18	HOUSING TOP
19	SM30.V3-A19	PUMP 230V
20	SM30/A20	WASHER
21	SM30/A21	FLUID HOSE
22	SM30/A22	NIPPLE CONNECTOR
23	SM30.V3-A23	PUMP ANCHOR
24	SM30/A24	FILTER BRACKET
25	SM30/A25	FILTER
26	SM30/A26	SWITCH BOX
27	SM30/A27	LIGHT SWITCH
28	SM30/A28	CONNECTOR
29	SM30/A29	PAN SCREW
30	SM30/A30	HEX NUT
32	SM30/A32	SWITCH BOX COVER
33	SM30/A33	FEED THRU
34	SM30/A34	POWER CORD
35	SM30/A35	WORK SHELF
36	SM30/A36	BASKET



**NOTE:** It is our policy to continually improve products and as such we reserve the right to alter data, specifications and component parts without prior notice.

**IMPORTANT:** No liability is accepted for incorrect use of product.

**WARRANTY:** Guarantee is 12 months from purchase date, proof of which will be required for any claim.

**INFORMATION:** For a copy of our latest catalogue and promotions call us on 01284 757525 and leave your full name and address, including postcode.