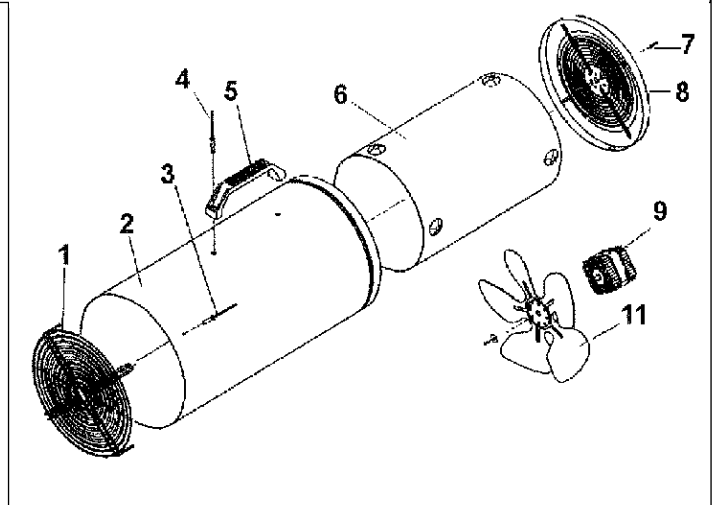


Issue: 2
Date Issued: 110604

ITEM	PART NO.	DESCRIPTION
1	SL1090002855	FRONT GRID
2	SL2003206255	BODY
3	SL1019003100	RIVET
4	SL1019001700	RIVET
5	SL1001002655	HANDLE
6	SL1094086255	COMBUSTION CHAMBER
7	SL1016002100	SCREW
8	SL2003208055	REAR CONVEYOR
9	SL1040011355	MOTOR 110 W 110/240V 50 HZ
11	SL1087002755	FAN D.350 23°
13	SL1032001700	SWITCH
14	SL1002002600	CAP
15	SL1001009055	COVER
16	SL2005084055	POWER CORD
18	SL2003215055	BURNER
27	SL1017001400	NUT
28	SL1016002400	SCREW
29	SL1022001000	SEEGER RING
30	SL2003204755	BURNER DISC
31	SL1036001800	SAFETY THERMOSTAT
32	SL1039001055	CABLE
33	SL1068000555	THERMOCOUPLE
34	SL1030000100	ELECTRODE
35	SL1032004355	PIEZOIGNITER
37	SL1088005000	NOZZLE D. 1,5
38	SL1135000755	BURNER SUPPORT
39	SL1067010255	FITTING
40	SL1001009700	FIXING PLATE
41	SL2003201755	LOWER SUPPORT
42	SL1069000455	GAS VALVE
43	SL1042000600	SOLENOID VALVE
44	SL1067004700	FITTING
45	SL1066005355	NUT
46	SL1077000500	GAS HOSE



ITEM	PART NO.	DESCRIPTION
47	SL1043002655	CONNECTOR + CABLE
49	SL1070002055	REGULATOR
53	SL1067003200	NIPPLE
54	SL1066007355	FITTING
55	SL1091001655	GAS TAP
57	SL1067009900	OLIVE
58	SL1067008055	FITTING
59	SL1079001555	COPPER PIPE
60	SL1016008400	SCREW
61	SL1016008100	SCREW
62	SL1049000855	CAPACITOR 3.15 µF
63	SL1001010600	FIXING PLATE
65	SL1032005400	VOLTAGE SELECTOR

NOTE: It is our policy to continually improve products and as such we reserve the right to alter data, specifications and component parts without prior notice.