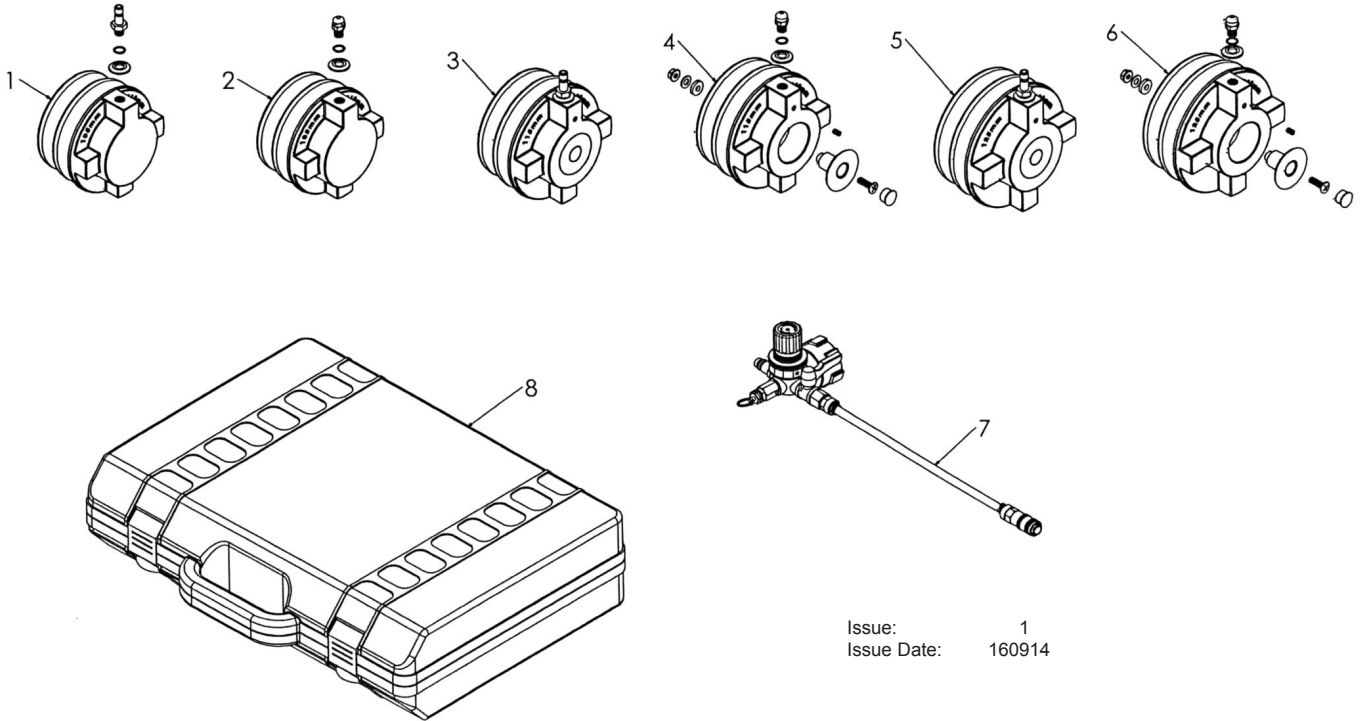




PARTS FOR:
TURBO SYSTEM LEAKAGE TESTER - HGV
MODEL: **CV2030**



Issue: 1
Issue Date: 160914

| ITEM | PART NO | DESCRIPTION |
|------|-----------|---------------------------------------|
| 1 | CV2030.01 | 105/110mm ADAPTOR 'WITH AIR COUPLING' |
| 2 | CV2030.02 | 105/110mm ADAPTOR 'BLANK END' |
| 3 | CV2030.03 | 115/120mm ADAPTOR 'WITH AIR COUPLING' |
| 4 | CV2030.04 | 115/120mm ADAPTOR 'BLANK END' |
| 5 | CV2030.05 | 125/130mm ADAPTOR 'WITH AIR COUPLING' |
| 6 | CV2030.06 | 125/130mm ADAPTOR 'BLANK END' |
| 7 | CV2030.07 | PRESSURE PUMP ASS'Y |
| 8 | CV2030.08 | CARRY CASE |

NOTE: It is our policy to continually improve products and as such we reserve the right to alter data, specifications and component parts without prior notice.

IMPORTANT: No liability is accepted for incorrect use of product.

WARRANTY: Guarantee is 12 months from purchase date, proof of which will be required for any claim.

INFORMATION: For a copy of our latest catalogue and promotions call us on 01284 757525 and leave your full name and address, including postcode.



Sole UK Distributor,
Sealey Group, Kempson Way,
Suffolk Business Park,
Bury St Edmunds, Suffolk, IP32 7AR



01284 757500



01284 703534



www.sealey.co.uk



sales@sealey.co.uk