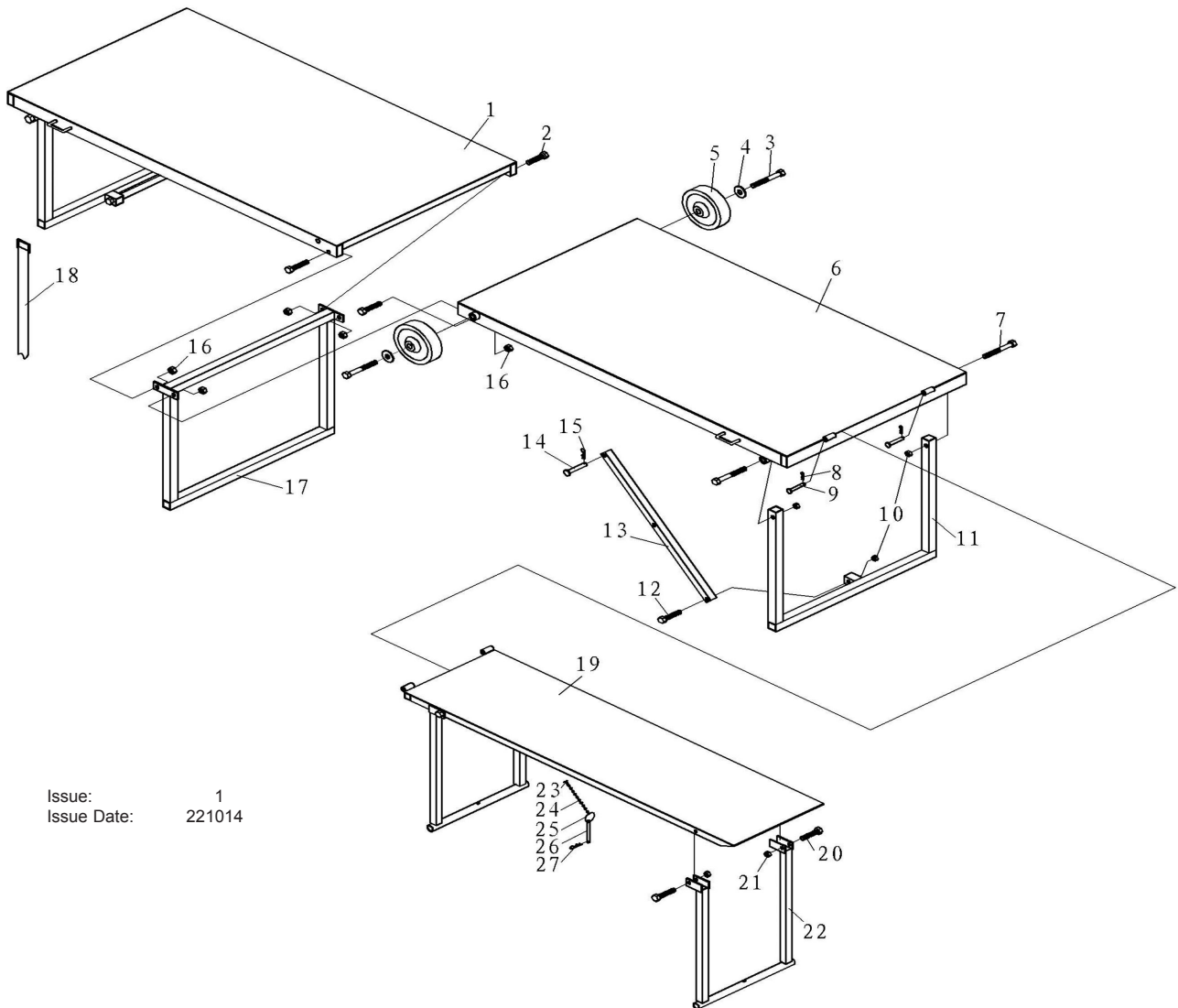




PARTS FOR:
**MOTORCYCLE PORTABLE FOLDING
 WORKBENCH 360kg CAPACITY**
 MODEL: **MCW360**



Issue: 1
 Issue Date: 221014

ITEM	PART NO	DESCRIPTION	ITEM	PART NO	DESCRIPTION
1	MCW360.01	BENCH, FRONT	15	MCW360.15	R-PIN
2	MCW360.02	BOLT	16	MCW360.16	NUT
3	MCW360.03	BOLT, TURNING WHEEL	17	MCW360.17	BASE FOOT (MIDDLE)
4	MCW360.04	WASHER	18	MCW360.18	STRAP
5	MCW360.05	WHEEL, TURNING	19	MCW360.19	RAMP
6	MCW360.06	BENCH, REAR	20	MCW360.20	BOLT, RAMP FOOT
7	MCW360.07	BOLT	21	MCW360.21	NUT
8	MCW360.08	R-PIN	22	MCW360.22	RAMP FOOT
9	MCW360.09	PIN, RAMP	23	MCW360.23	OVAL PIN
10	MCW360.10	NUT	24	MCW360.24	CHAIN
11	MCW360.11	BASE FOOT	25	MCW360.25	CONNECT RING
12	MCW360.12	BOLT	26	MCW360.26	CHAIN PIN
13	MCW360.13	UPRIGHT SUPPORT	27	MCW360.27	R-PIN
14	MCW360.14	PIN, UPRIGHT SUPPORT			

NOTE: It is our policy to continually improve products and as such we reserve the right to alter data, specifications and component parts without prior notice.

IMPORTANT: No liability is accepted for incorrect use of product.

WARRANTY: Guarantee is 12 months from purchase date, proof of which will be required for any claim.

INFORMATION: For a copy of our latest catalogue and promotions call us on 01284 757525 and leave your full name and address, including postcode.



Sole UK Distributor,
 Sealey Group, Kempson Way,
 Suffolk Business Park,
 Bury St Edmunds, Suffolk, IP32 7AR



01284 757500



01284 703534



www.sealey.co.uk



sales@sealey.co.uk