


INSTRUCTIONS FOR:  
**OIL DRAINER UNIT**  
 Models No: **AK457D & AK450DX**

Thank you for purchasing a Sealey product. Manufactured to a high standard this product will, if used according to these instructions and properly maintained, give you years of trouble free performance.

 **IMPORTANT**  
 PLEASE READ THESE INSTRUCTIONS CAREFULLY. NOTE THE SAFE OPERATIONAL REQUIREMENTS, WARNINGS AND CAUTIONS. USE THIS PRODUCT CORRECTLY AND WITH CARE FOR THE PURPOSE FOR WHICH IT IS INTENDED. FAILURE TO DO SO MAY CAUSE DAMAGE AND/OR PERSONAL INJURY AND WILL INVALIDATE THE WARRANTY. RETAIN THESE INSTRUCTIONS FOR FUTURE USE.

## 1. SAFETY INSTRUCTIONS

- ✓ Replace damaged parts. *Use genuine parts only. Non authorised parts may be dangerous and will invalidate the warranty.*
  - ✓ Keep the drainer clean and in good condition for best and safest performance.
  - ✓ Wear appropriate protective clothing.
  - ✓ Use drainer in an appropriate working area for its function. Keep area clean and tidy and free from unrelated materials and ensure there is adequate lighting.
  - ✓ Ensure the floor is not slippery and wear non slip shoes.
  - ✓ Keep children and unauthorised persons away from the working area.
  - ✓ Dispose of waste liquids in accordance with local authority regulations.
  - ☐ **WARNING!** *DO NOT allow uncontrolled discharge of fluids thus polluting the environment.*
  - ✗ *DO NOT position drainer in such a way that it will cause potential hazards when moving, holding for draining or storing.*
- ▲ **IMPORTANT:** AK450DX must be used in conjunction with a wall mounted air pump, model no: AK450DP in order to discharge waste oil (not supplied with this unit).

## 2. DESCRIPTION & APPLICATION

- 2.1. Description.**  
 Drainers are steel fabricated and have a 75 litre reservoir with telescopic steel funnel fitted with filter grid and drum full device.  
 Model AK457D is fitted with a gravity drain tap at the rear of the unit.  
 Model AK450DX has a dry-fit male coupling for connection to wall mounted air pump AK450DP.
- 2.2. Application.**  
 Drainer units are designed to collect waste oil of fluids via the vertically adjustable collection bowl.  
 Drainers are not suitable for vehicles above 3.5 tons for which you should use AK464DX or AK465D.

## 3. SPECIFICATIONS & ASSEMBLY

**AK457D Specifications.**

Maximum capacity	. . . . .75 litres
Min Height	. . . . .1180mm
Max Height	. . . . .1750mm
Length	. . . . .590mm
Width	. . . . .600mm
Discharge	. . . . .Gravity
Net weight	. . . . .29kg

**Drainer parts: (see parts diagram fig 1).**  
 Reservoir with handle (item 5). 2 castor wheels (item 8 and 9). 2 rear wheels (item 14).  
 Adjustable collection bowl with drainage tube (items 2 & 3).  
 AK457D Gravity drain tap (item 15).  
 AK450DX Quick release connector (item 15).

**AK450DX Specifications.**

Maximum capacity	. . . . .75 litres
Min Height	. . . . .1180mm
Max Height	. . . . .1750mm
Length	. . . . .590mm
Width	. . . . .600mm
Discharge	. . . . .air pump
Net weight	. . . . .29kg

- Assembly. (see parts diagram fig 1).**
1. Unscrew the complete axle assembly from the transportation position. Use the nuts, bolts, and washers that are provided to fit the axle assembly and position the castor wheels as illustrated in the parts diagram.
  2. Screw the drainage tube (item 3) into the collection bowl (item 2).
  3. Introduce the drainage tube through the height adjustment adaptor into the reservoir and tighten the scalloped hand wheel (item 4).
  4. Place the filter into the collection bowl (item 1).

## 4. OPERATING INSTRUCTIONS

- 4.1. Collection of waste oil**
- 4.1.1. If unit has been used to drain a previous vehicle, check the oil level indicator float to ensure there is sufficient remaining capacity left before you use the unit. If model AK457D is empty, ensure the evacuation tap is closed before you use the unit.
  - 4.1.2. Place the unit under the raised vehicle and adjust the collection bowl to the desired height and tighten the scalloped hand wheel of the adjustable height adaptor.
- 4.2. Evacuation of waste oil from unit. WARNING! ensure all waste is disposed of in accordance with local regulations.**
- 4.2.1. AK457D position the gravity drain tap over a suitable outlet and open the tap.
  - 4.2.2. AK450DX take the discharge hose of wall mounted pump unit AK450DP and connect the female coupling to the male coupling of the pan unit and evacuate waste accordingly.

## 5. MAINTENANCE.

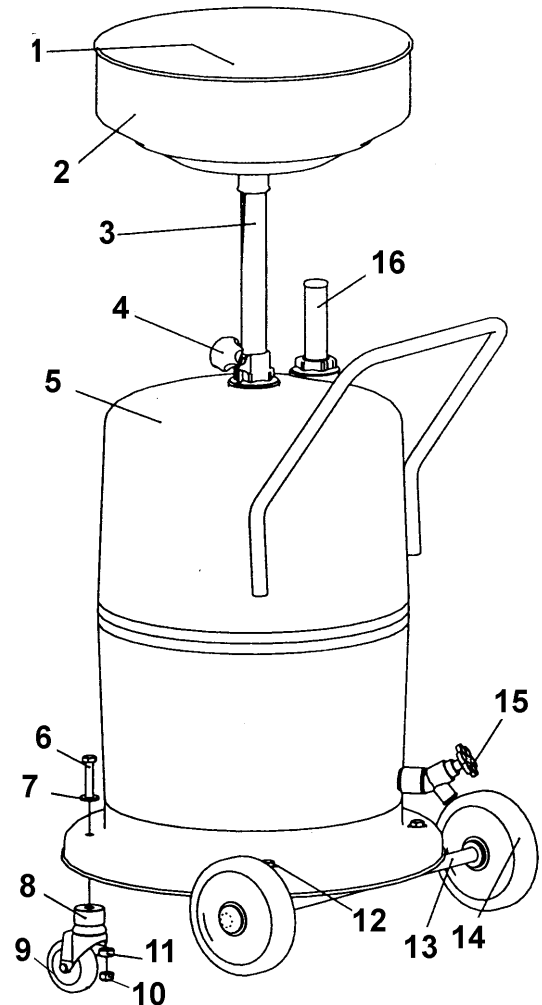
- 5.1. Keep the collection bowl and unit clean and ensure there are no blockages in the evacuation outlets.
- 5.2. Oil wheels if necessary
- 5.3. When not in use store the unit in a safe, dry, childproof area.

## 6. REPLACEMENT PARTS

Item	Part No	Description
1	179.04467 - FB04F	Collection bowl filter
2	179.04492 - FJJ2A	Collection bowl
3	179.87065	Drainage tube
4	179.04395	1" Female Connector
5	179/04464	Scalloped hand wheel
6	179/04563	Reservoir
7	179/04357	M10 x 55 Hexagon bolt, DIN931
8	179/03858	Washer
9	179.87125 - KI 4F	Spacer
10	179/04332	Castor
11	179/03311	M10 Nut, DIN 985
12	179/04562	Sleeve
13	179/04356	M10 x 25 Hexagon bolt, DIN933
14	179/04462	Axle
15	179/04333	Wheel
16	179/19786	Gravity drain valve Model AK457D
	179/19774	Male quick release connector Model AK450DX
16	179/04398	Float indicator

Issue: 2  
Date: 020304

Fig 1



**NOTE:** It is our policy to continually improve products and as such we reserve the right to alter data, specifications and component parts without prior notice.

**IMPORTANT:** No liability is accepted for incorrect use of this equipment.

**WARRANTY:** Guarantee is 12 months from purchase date, proof of which will be required for any claim.

**INFORMATION:** Call us for a copy of our latest catalogue on 01284 757525 and leave your full name and address including your postcode.



Sole UK Distributor,  
**Sealey Group**, Bury St. Edmunds, Suffolk.

01284 757500

01284 703534

sales@sealey.co.uk

www.sealey.co.uk