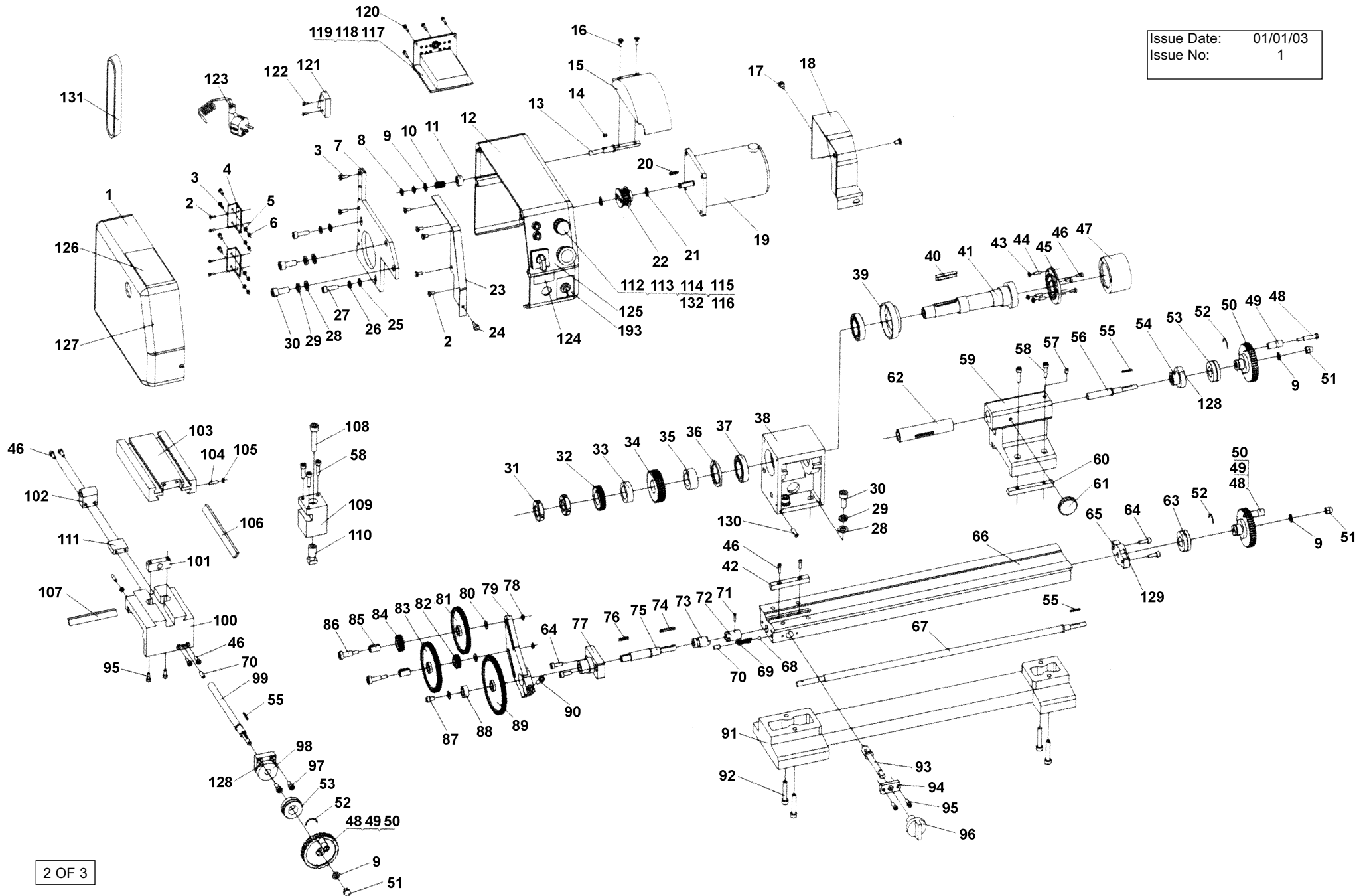
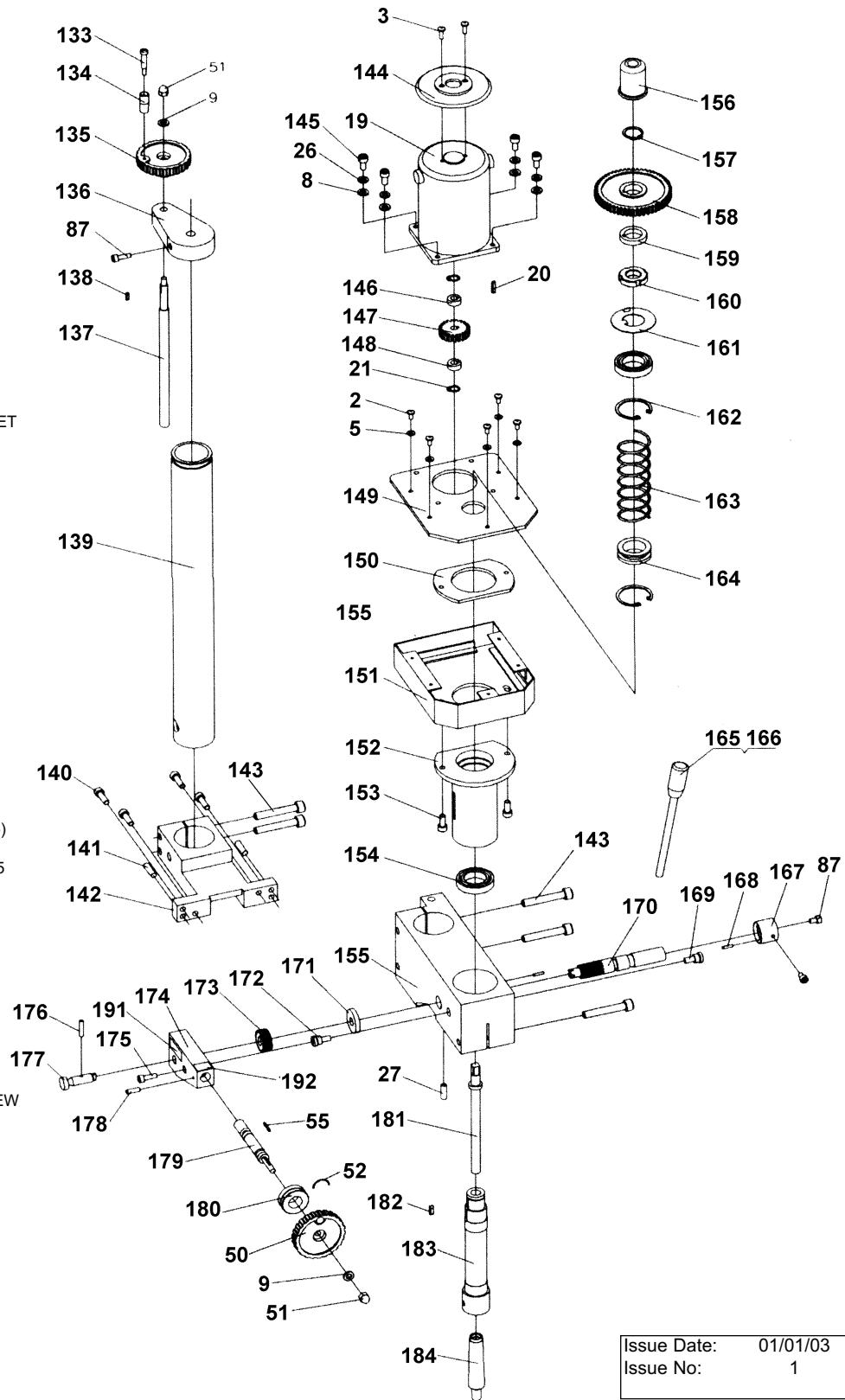


1 OF 3

ITEM	PART NO	DESCRIPTION	ITEM	PART NO	DESCRIPTION	ITEM	PART NO	DESCRIPTION
01	SM2503.001	GEAR BOX COVER	46	SM2503.046	CAP SCREW M4 - 12	87	SM2503.087	SCREW M5 - 8
02	SM2503.002	CAP SCREW M4 - 8 GB818	47	SM2503.047	3 JAW CHUCK 80MM	88	SM2503.088	SPACING RING
03	SM2503.003	CAP SCREW M4 - 12 GB818	48	SM2503.048	HANDLE SCREW	89	SM2503.089	CHANGE GEAR Z=90
04	SM2503.004	HINGE LxB = 38x31	49	SM2503.049	SMALL HANDLE	90	SM2503.090	SCREW M5 - 25
05	SM2503.005	WASHER 4	50	SM2503.050	HANDWHEEL	91	SM2503.091	BED BASE
06	SM2503.006	NUT M4	51	SM2503.051	CAP NUT M6	92	SM2503.092	SCREW M6X35
07	SM2503.007	CANTILEVER	52	SM2503.052	SPRING STEEL	93	SM2503.093	UNPLUG SHAFT
08	SM2503.008	NUT M6	53	SM2503.053	DIAL	94	SM2503.094	DAM BOARD
09	SM2503.009	WASHER 6	54	SM2503.054	SCREW BASE	95	SM2503.095	SCREW M4 - 10
10	SM2503.010	COMPRESSION SPRING	55	SM2503.055	KEY 2 - 18	96	SM2503.096	CLUTCH KNOB
11	SM2503.011	SPACING RING	56	SM2503.056	TAIL STOCK SCREW	97	SM2503.097	SCREW M5 - 12
12	SM2503.012	SPINDLE BOX COVER	57	SM2503.057	SCREW M5 - 8	98	SM2503.098	LEAD SCREW BRACKET
13	SM2503.013	ROTATE SPINDLE	58	SM2503.058	SCREW M5 - 20	99	SM2503.099	CROSS SLIDE SCREW
14	SM2503.014	KEY 3 - 6	59	SM2503.059	TAILSTOCK CASTING	100	SM2503.100	SADDLE
15	SM2503.015	CHUCK COVER	60	SM2503.060	WEDGE	101	SM2503.101	CROSS SLIDE NUT
16	SM2503.016	CAP SCREW M4 - 8	61	SM2503.061	LOCK HANDLE	102	SM2503.102	LEADSCREW NUT
17	SM2503.017	CAP SCREW M5 - 18	62	SM2503.062	TAILSTOCK QUILL	103	SM2503.103	CROSS SLIDE
18	SM2503.018	REAR SPLASH GUARD	63	SM2503.063	DIAL	104	SM2503.104	SCREW M4 - 16
19	SM2503.019	MOTOR	64	SM2503.064	SCREW M5 - 14	105	SM2503.105	NUT M4
20	SM2503.020	KEY 3 - 16	65	SM2503.065	SCREW BRACKET	106	SM2503.106	CROSS SLIDE WEDGE
21	SM2503.021	CHECK RING 8	66	SM2503.066	BED LEAD RAIL	107	SM2503.107	GIB STRIP
22	SM2503.022	TIMING PULLEY	67	SM2503.067	LEADSCREW	108	SM2503.108	SCREW M4 - 80
23	SM2503.023	SUPPORT PLATE	68	SM2503.068	STEEL BALL 5	109	SM2503.109	TOOL REST
24	SM2503.024	SCREW M4 - 8	69	SM2503.069	COMPRESSION RING	110	SM2503.110	TOOL REST SHAFT
25	SM2503.025	WASHER 6	70	SM2503.070	SCREW M6X10	111	SM2503.111	CONNECT BLOCK
26	SM2503.026	SPRING WASHER 6	71	SM2503.071	PIN 3 - 14	112	SM2503.112	POTENTIOMETER
27	SM2503.027	SCREW M6 - 20	72	SM2503.072	CLUTCH BRACKET	113	SM2503.113	EMERGENCY STOP SWITCH
28	SM2503.028	WASHER 8	73	SM2503.073	CLUTCH	114	SM2503.114	FORWARD/REVERSE SWITCH
29	SM2503.029	SPRING WASHER 8	74	SM2503.074	KEY 3 - 22	115	SM2503.115	POWER INDICATOR LIGHT
30	SM2503.030	SCREW M8 - 20	75	SM2503.075	SHAFT	116	SM2503.116	FUSE BOX
31	SM2503.031	SMALL ROUND NUT M18x1.5	76	SM2503.076	KEY 3 - 14	117	SM2503.117	PC BOARD
32	SM2503.032	SPINDLE GEAR	77	SM2503.077	GEAR SHAFT BRACKET	118	SM2503.118	LOCK CONNECT
33	SM2503.033	SPACING RING (1)	78	SM2503.078	NUT M5	119	SM2503.119	PC BOARD BOX
34	SM2503.034	SPINDLE TIMING PULLEY	79	SM2503.079	SUPPORT PLATE	120	SM2503.120	SCREW ST1 9 - 10
35	SM2503.035	SPACING RING (2)	80	SM2503.080	WASHER	121	SM2503.121	MICROSWITCH
36	SM2503.036	BEHIND OIL SEAL RING	81	SM2503.081	GEAR Z=72	122	SM2503.122	SCREW ST2 9 - 10
38	SM2503.038	SPINDLE BOX	82	SM2503.082	GEAR Z=19	123	SM2503.123	POWER CORD AND PLUG
42	SM2503.042	KEY	83	SM2503.083	GEAR Z=76	130	SM2503.130	SCREW M5 - 12
43	SM2503.043	NUT M6	84	SM2503.084	GEAR Z=24	131	SM2503.131	TIMING BELT
44	SM2503.044	SCREW M6 25	85	SM2503.085	GEAR SLEEVE	132	SM2503.132	CHANGE SWITCH
45	SM2503.045	CHUCK FLANGE	86	SM2503.086	GEAR SHAFT	193	SM2503.193	SWITCH, POWER SUPPLY



ITEMPART NO	DESCRIPTION
02	SM2503.002 CAP SCREW M4-8
03	SM2503.003 CAP SCREW M4-12
05	SM2503.005 WASHER 4
08	SM2503.008 NUT M6
09	SM2503.009 WASHER 6
19	SM2503.019 MOTOR
20	SM2503.020 KEY 3-16
21	SM2503.021 CHECK RING 8
26	SM2503.026 SPRING WASHER 6
27	SM2503.027 SCREW M6-20
50	SM2503.050 HANDWHEEL
52	SM2503.052 SPRING STEEL
53	SM2503.053 DIAL
87	SM2503.087 SCREW M5-8
131	SM2503.131 TIMING BELT
133	SM2503.133 HANDLE BOLT
134	SM2503.134 HANDLE SLEEVE
135	SM2503.135 HANDWHEEL
136	SM2503.136 LEADSCREW BRACKET
137	SM2503.137 LIFTER
138	SM2503.138 KEY 3-10
139	SM2503.139 COLUMN
140	SM2503.140 SCREW M6-18
141	SM2503.141 PIN 6-24
142	SM2503.142 COLUMN BRACKET
143	SM2503.143 SCREW M8 - 50
144	SM2503.144 MOTOR COVER
145	SM2503.145 SCREW M6 - 12
146	SM2503.146 SPACING RING
147	SM2503.147 MOTOR GEAR
148	SM2503.148 SPACING RING
149	SM2503.149 COVER PLATE
150	SM2503.150 QUILL FIXED PLATE
151	SM2503.151 GEAR BOX
152	SM2503.152 SPINDLE QUILL
153	SM2503.153 SCREW M6 - 14
155	SM2503.155 SPINDLE BASE
156	SM2503.156 SAFETY COVER
157	SM2503.157 CHECK RING 20
158	SM2503.158 SPINDLE GEAR (Z=55)
159	SM2503.159 SPACING RING
160	SM2503.160 ROUND NUT M24 - 1.5
161	SM2503.161 WASHER 24
162	SM2503.162 CHECK RING 38
163	SM2503.163 COMPRESSION RING
164	SM2503.164 SPRING SUPPORT
165	SM2503.165 HAND SHANK
166	SM2503.166 LEVER CAP M8 - 40
167	SM2503.167 READ OUT SLEEVE
168	SM2503.168 SPRING PIN 3 - 12
169	SM2503.169 SITE SCREW
170	SM2503.170 GEAR SHAFT
171	SM2503.171 SPACING RING
172	SM2503.172 CONNECT SITE SCREW
173	SM2503.173 BEVEL GEAR
174	SM2503.174 WORM BASE
175	SM2503.175 SCREW M5 - 18
176	SM2503.176 PIN 3 - 12
177	SM2503.177 CONNECT SHAFT
178	SM2503.178 PIN 3 - 18
179	SM2503.179 WORM SHAFT
180	SM2503.180 DIAL
181	SM2503.181 LOCK BOLT
182	SM2503.182 KEY 4 - 12
183	SM2503.183 DRILL SPINDLE
184	SM2503.184 TAPER SHANK B12



Issue Date: 01/01/03
Issue No: 1