

Thank you for purchasing a Sealey product. Manufactured to a high standard this product will, if used according to these instructions and properly maintained, give you years of trouble free performance.

IMPORTANT: PLEASE READ THESE INSTRUCTIONS CAREFULLY. NOTE THE SAFE OPERATIONAL REQUIREMENTS, WARNINGS & CAUTIONS. USE THE PRODUCT CORRECTLY AND WITH CARE FOR THE PURPOSE FOR WHICH IT IS INTENDED. FAILURE TO DO SO MAY CAUSE DAMAGE AND/OR PERSONAL INJURY AND WILL INVALIDATE THE WARRANTY. PLEASE KEEP INSTRUCTIONS SAFE FOR FUTURE USE.

1. SAFETY INSTRUCTIONS

- ✓ Always load evenly with the centre of gravity of the load as near the centre of the truck as possible.
- ✓ Obtain additional support for large or wide loads to prevent tipping.
- ✗ **DO NOT** overload the truck - see Specifications.
- ✗ **DO NOT** leave unattended, especially when loaded, unless the wheels are chocked or the truck is otherwise secured.
- ✗ **DO NOT** use truck on uneven ground and do not run over curbs or steps - use a ramp.
- ✗ **DO NOT** allow others to ride on the truck.
- ✗ **DO NOT** use the truck if any part is significantly damaged - pay particular attention to the wheels.

2. SPECIFICATIONS

	CST991.V3	CST992.V3
Max. Load	150kg	300kg
Wheel Diameter	125mm	125mm
Deck Length/Width/Height	752/465/140mm	910/605/185mm
Overall Height	815mm	870mm

3. ASSEMBLY & USE

Numbers/letters in brackets refer to those on the relevant parts diagrams below.

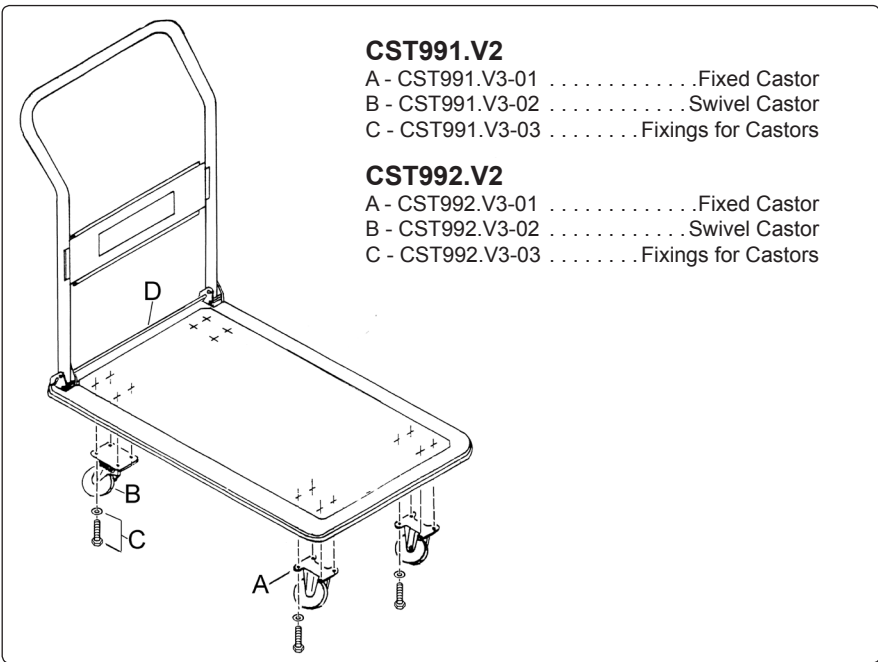
3.1 CST991 & CST992

3.1.1 Remove the bolts and washers (C) from the underside corners of the deck and use them to attach the wheels (A, B).

Note! Two wheels are swivel castors (B), these should be fitted at the handle end of the deck.

3.1.2 To fold down the platform truck handle frame push down the release bar (D) and fold the handle over the base, release bar when in place.

4. PARTS



NOTE: It is our policy to continually improve products and as such we reserve the right to alter data, specifications and component parts without prior notice.

IMPORTANT: No liability is accepted for incorrect use of this product.

WARRANTY: Guarantee is 12 months from purchase date, proof of which will be required for any claim.

INFORMATION: For a copy of our latest catalogue and promotions call us on 01284 757525 and leave your full name and address, including postcode.

