

Thank you for purchasing a Sealey product. Manufactured to a high standard this product will, if used according to these instructions and properly maintained, give you years of trouble free performance.

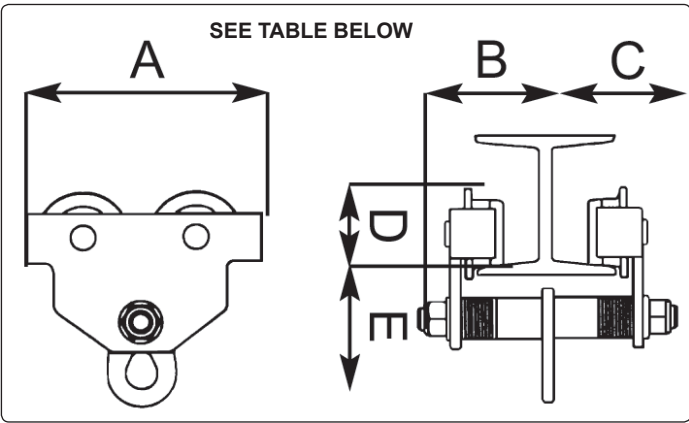
**! IMPORTANT: PLEASE READ THESE INSTRUCTIONS CAREFULLY. NOTE THE SAFE OPERATIONAL REQUIREMENTS, WARNINGS AND CAUTIONS. USE THE PRODUCT CORRECTLY AND WITH CARE FOR THE PURPOSE FOR WHICH IT IS INTENDED. FAILURE TO DO SO MAY CAUSE DAMAGE AND/OR PERSONAL INJURY AND WILL INVALIDATE THE WARRANTY. PLEASE KEEP INSTRUCTIONS SAFE FOR FUTURE USE.**

**1. CONTENTS**

	Page No.
Section 2. General . . . . .	1.
Section 2.1 Identification . . . . .	1.
Section 2.2. Technical Data . . . . .	1.
Section 3. Safety / Operational Instructions . . . . .	2.
Section 4. Maintenance / Examination / Inspection . . . . .	2.
Section 5. Assembly and storage . . . . .	3.
Section 6. Owner's & Operator's Responsibilities . . . . .	3.
Section 7. Declaration of Conformity . . . . .	4.
Section 8. Parts List/Diagram . . . . .	5.

**2. GENERAL**

**2.1 Identification**  
 Supplier: Sealey Power Products,  
 Kempson Way,  
 Suffolk Business Park,  
 Bury St Edmunds,  
 Suffolk, IP32 7AR.  
 Model No: **PT500.V2, PT1000.V2, PT2000.V2,**  
**PT3000.V2**



**2.2 Technical Data**  
**Rated Capacity**  
 a) Design Capability: Test Load 50% overload.  
 b) For applications see Section 3.  
 c) For information on parts and materials requiring specialised repair techniques see Section 4.  
 d) Ambient operating temperature between -10°C and +50°C.

Model	Capacity	Test Load	Min/Max. I Beam Width	Min. Curve Radius	A	B	C	D	E
<b>PT500.V2</b>	500kg	750kg	64-140mm	800mm	212mm	115mm	115mm	90mm	115mm
<b>PT1000.V2</b>	1000kg	1500kg	64-140mm	1000mm	255mm	127.5mm	127.5mm	104mm	128mm
<b>PT2000.V2</b>	2000kg	3000kg	76-165mm	1300mm	305mm	150mm	150mm	130mm	152mm
<b>PT3000.V2</b>	3000kg	4500kg	76-203mm	1500mm	344mm	172mm	172mm	145mm	186mm

Model	Weight	Minimum Standard I-Beam Dimensions (D X W X Web):	Maximum Distance Between Spans:	Maximum Standard I-Beam Dimensions (D X W X Web):	Maximum Distance Between Spans:
<b>PT500.V2</b>	7kg	125 x 75 x 5.5mm	3000mm	250 x 125 x 7.5mm	8000mm
<b>PT1000.V2</b>	13kg	125 x 75 x 5.5mm	2500mm	250 x 125 x 7.5mm	6000mm
<b>PT2000.V2</b>	20kg	180 x 100 x 6.0mm	3000mm	350 x 150 x 9.0mm	9000mm
<b>PT3000.V2</b>	31kg	200 x 100 x 7.0mm	2700mm	850 x 150 x 9.0mm	4500mm

### 3. SAFETY / OPERATING INSTRUCTIONS

#### 3.1 SAFETY

- ✓ **Keep** trolley and beams in good working order and condition. Follow the inspection requirements as described in Section 4 page 2 Maintenance. *Take immediate action to repair or replace damaged parts by contacting your supplier. Ensure that all accessory lifting devices are suitably certified. If damaged, remove from service immediately.*
- ✓ The trolley is designed to travel on a beam and carry a load up to the rated capacity. The capacity indicated on the trolley (see nameplate) is the maximum safe working load which must not be exceeded.
- ✓ **Keep** children and unauthorised persons away from the working area.
- ✓ **Keep** working area clean and tidy, free from unrelated materials and ensure that there is adequate lighting.
- ✓ **Ensure** that load does not exceed the maximum capacity of the trolley. Overloading the trolley is dangerous. Where appropriate, use only the lifting points recommended by the manufacturer of the item to be lifted, e.g. vehicle engine.
- ✓ **Ensure** that load does not exceed the maximum capacity of the I Beam that the trolley is attached to.
- ✓ **Before** lifting the load ensure that there are no obstacles which may snag the load whilst it is being lifted.
- ✓ **To avoid injury**, be fully aware of your own and other persons locations in relation to the lifting, and lowering, of the load.
- ✓ **Keep** a sound footing and balance, and ensure the floor is not slippery.
- ✗ **DO NOT** harness the load at an angle or use any attachments not verified as fit for purpose.
- ✗ **DO NOT** allow the load to swing during lifting.
- ✓ Lower load with care, ensuring that you are fully aware of the condition of the surface onto which the load is to be placed.
- ✗ **DO NOT** position any part of your body beneath the load.
- ✗ **DO NOT** use this product to perform a task for which it is not designed.
- ✗ **DO NOT** use whilst under the influence of drugs, alcohol or intoxicating medication.
- ✗ **DO NOT** lift or transport loads while personnel are in the danger zone.
- ✗ **DO NOT** allow personnel to pass under a suspended load.
- ✗ **DO NOT** use the trolley for transportation of people.
- ✗ **DO NOT** use the trolley in explosive or corrosive environments.
- ✓ After lifting, do not leave the load suspended for longer than necessary.
- ✓ Start moving the load only after it has been attached correctly and all personnel are clear of the danger zone.
- ✓ **When** not in use, store in a safe, dry, childproof area.
- ✓ **This trolley is designed for use within a garage or workshop environment.**
- **WARNING! Failure to heed safety and warning instructions may result in damage and/or personal injury and will invalidate the warranty.**



**NOTE: ENSURE YOU HAVE READ AND UNDERSTOOD THE SAFETY INSTRUCTIONS AT THE BEGINNING OF THIS SECTION BEFORE YOU OPERATE THE TROLLEY.**

#### 3.2 OPERATION. (Refer to Section 4.2 (a) regarding inspection before each and every use).

You must perform a risk assessment before undertaking any operations with the trolley.

- a) Connect the trolley to the load using a suitable **certified** chain hoist or similar. Ensure you are aware of the load weight, and check that it is within the capacity of the trolley and the support beam. Ensure you know the weight to be lifted.
- b) Use only lifting points sufficient to hold the weight.
- c) Lift only from directly above the load. **WARNING! DO NOT LIFT THE LOAD AT AN ANGLE!**
- d) The load is moved by pushing the attached hoist or load. **WARNING! you must seek assistance if the load size prevents adequate visibility of the zone in front of the load.**
- e) When load has been secured, remove lifting sling, support beam etc. and place trolley in a safe location.

### 4. MAINTENANCE / EXAMINATION / INSPECTION

**NOTE: The trolley MUST be kept clean and dry and must be maintained in accordance with these instructions.**

#### 4.1. Lubrication.

- a) Oil all working parts monthly or more in dusty conditions.

#### 4.2. Inspection and Examination of trolley Before Use.

- a) Before each use of the trolley you must perform an inspection for damaged, loose, missing parts, corrosion, wear, or other irregularities.
- b) The trolley must be examined immediately if it has been subject to an abnormal load or shock. It is recommended that such an examination is made by an authorised service agent.
- c) The owner and/or operator must be aware that repair of this equipment will require specialised knowledge and facilities. It is recommended that an annual examination of the trolley is made by an authorised service agent.
- d) Unauthorised parts may be dangerous and will invalidate the warranty.

**Note! Please see the Definition of 'inspection' and 'examination' below.**

#### Inspection:

Looking at the trolley for defects and checking the operation without loading the trolley.

This is much more than a check but does not normally require any part of the trolley to be dismantled.

Inspections are instigated by the user.

#### Examination:

Verification that the trolley can safely continue in service including a functional test to verify that it operates within the required tolerances. An examination is more thorough than an inspection. All examinations and inspections should be carried out by a competent person.

## 5. ASSEMBLY / STORAGE INSTRUCTIONS

### 5.1 ASSEMBLY.

**Note:** Numbers in brackets refer to item numbers as shown in diagram below.

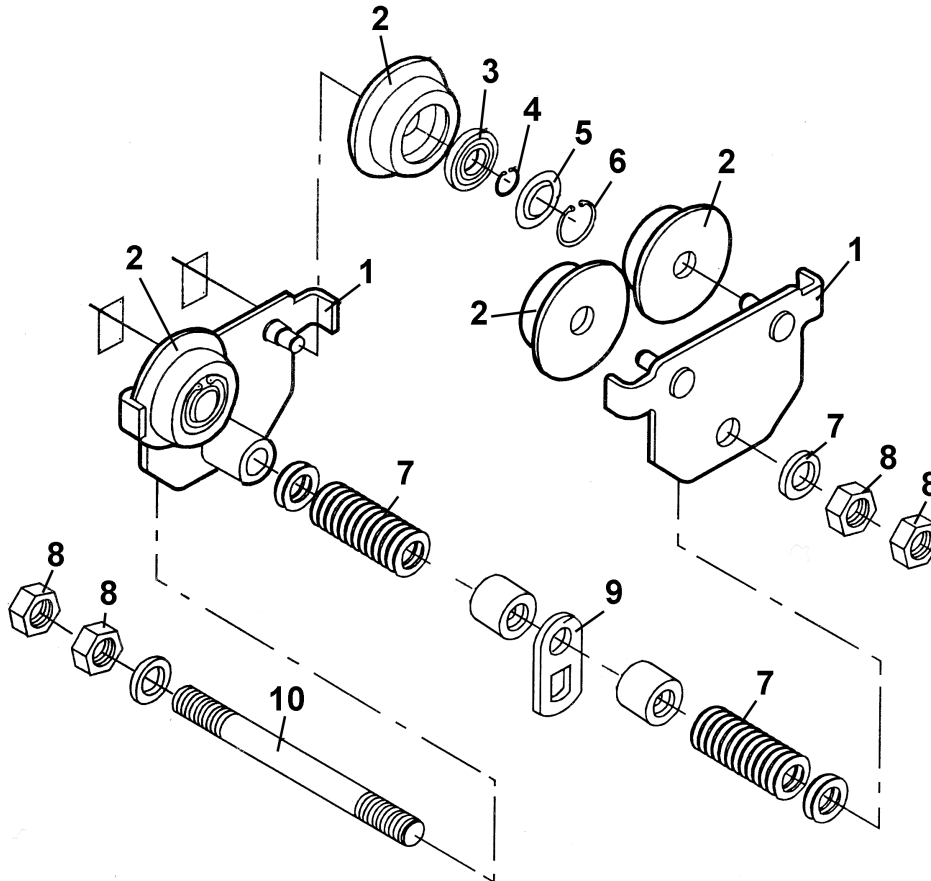
- 5.1.1 Measure the actual width of the runway beam.
- 5.1.2 Evenly assemble the required number of spacer washers to the inside of the trolley side plates so that the dimension between trolley wheel flanges (2) are 6mm (MAX) greater than the runway beam width.
- 5.1.3 Assemble the remaining washers outside the trolley side plates (1) and fit the washers and nuts (7 & 8) to the hanger pin (10).

**Note:** There must always be at least one washer on the inside and the outside of each trolley side plate.

- 5.1.4 Slacken the hanger pin nuts (8) and spread the side plates (1) so that the wheels (2) can be slipped over the runway beam.
- 5.1.5 Screw the nuts (8) firmly against the washers (7) then suspend a light load from the trolley to ensure that all four wheels (2) contact the runway beam.
- 5.1.6 Tighten the nuts and then secure with the second (lock) nut.

### 5.2 STORAGE.

When not in use store in a safe, dry childproof location.



## 6. OWNER'S & OPERATOR'S RESPONSIBILITIES

*The owner and/or operator shall study these instructions and retain them for future use.*

- a) **Understanding instructions and warnings.**  
The owner and/or operator shall understand the operating instructions and warnings before operating the trolley. Warning information must be emphasised and understood.  
If the operator is not fluent in English, the product instructions and warnings must be read to, and discussed with, the operator in the operator's native language by the owner, making sure the operator understands the contents.
- b) **Damaged Trolleys.**  
Any trolley which appears to be damaged, badly worn, or operates abnormally **MUST BE REMOVED FROM SERVICE!** It is recommended that necessary repairs be made by an authorised service agent.
- c) **End of service.**  
Through years of normal wear, the trolley will eventually become unserviceable. When this happens dispose of in accordance with local authority regulations.

**NOTE:** It is our policy to continually improve products and as such we reserve the right to alter data, specifications and component parts without prior notice.

**IMPORTANT:** No liability is accepted for incorrect use of this product.

**WARRANTY:** Guarantee is 12 months from purchase date, proof of which will be required for any claim.

**INFORMATION:** For a copy of our latest catalogue and promotions call us on 01284 757525 and leave your full name and address, including postcode.



Sole UK Distributor, Sealey Group,  
Kempson Way, Suffolk Business Park,  
Bury St. Edmunds, Suffolk,  
IP32 7AR



01284 757500



www.sealey.co.uk



01284 703534



sales@sealey.co.uk



# EC DECLARATION OF CONFORMITY

We the sole importers into the UK, hereby declare that the equipment described below

Description and Function:.....Trolley Plain 0.5tonne.....

Model/Type:.....PT500.V2, PT1000.V2, PT2000.V2, PT3000.V2.....

Manufacturing Date / Serial number (optional).....

Manufacturer's authorised representative within the EC: **Jack Sealey Ltd. Kempson Way, Suffolk Business Park, Bury St. Edmunds, Suffolk, IP32 7AR**

Conforms to the requirements of the following Directives, as indicated.

- 2006/42/EC Machinery Directive
- 2000/14/EC Outdoor Noise Emissions Directive
- 2006/95/EC Low Voltage Directive
- 2002/96/EC WEEE Directive
- 2004/108/EC EMC Directive
- 2002/95/EC RoHS Directive
- 93/68/EEC CE Marking Directive
- 97/23/EC Pressure Equipment Directive

And the following harmonised standard(s): **BS EN 13157: 2004**.....

National technical standards and specifications (if applicable):.....

Technical file compiled by: **Jack Sealey Ltd.**

Signed:.....

Date:..... 21-Apr-2010

Place: Bury St.Edmunds.

Name:..... Mark Sweetman

Position:..... Managing Director

Being the responsible person appointed by the manufacturer.



Sealey Power Products, Kempson Way, Suffolk Business Park, Bury St. Edmunds, Suffolk, IP32 7AR

01284 757500

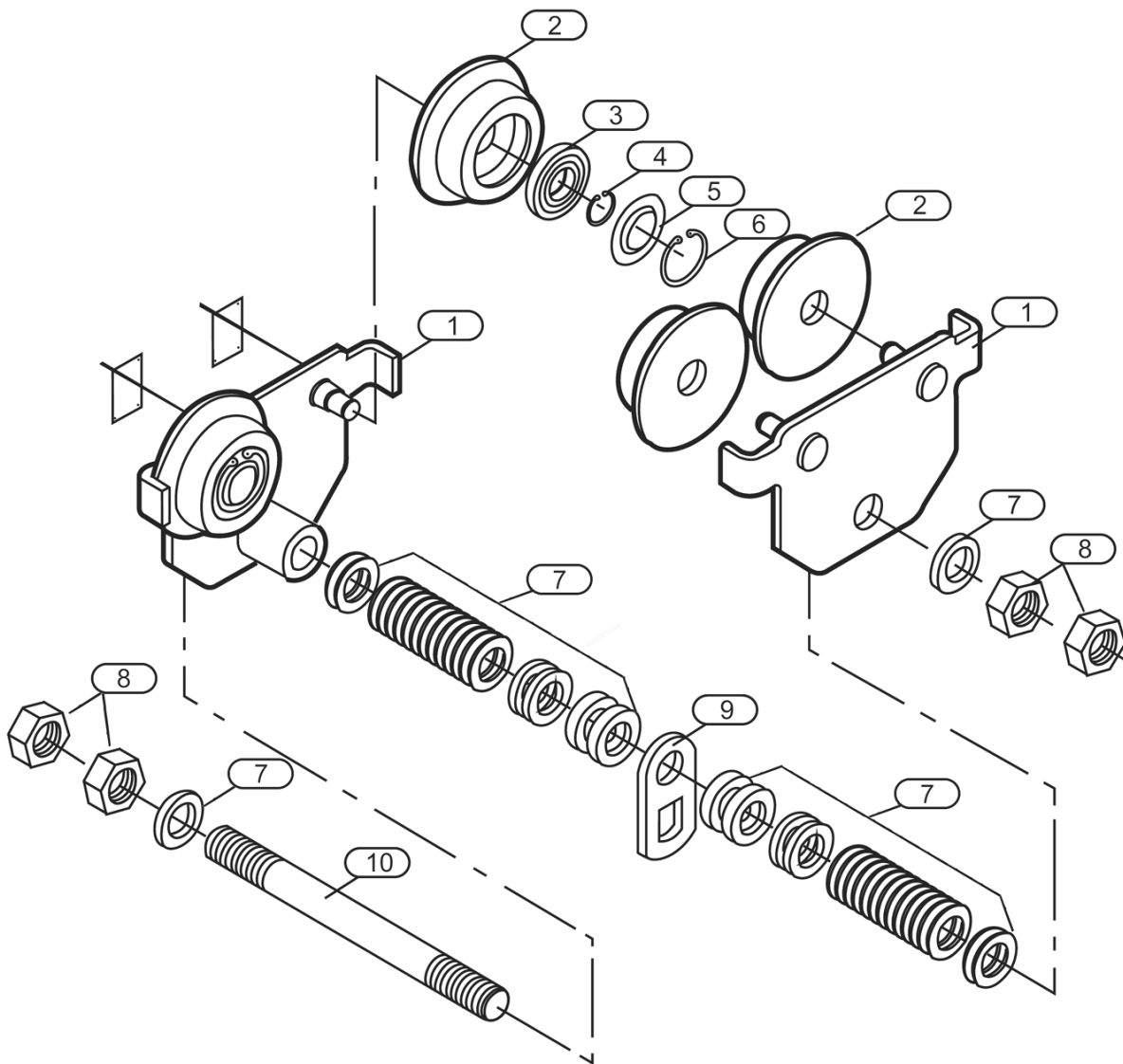
01284 703534

sales@sealey.co.uk

www.sealey.co.uk

**8. PARTS LIST/DIAGRAM**

**MODEL No: PT500.V2, PT1000.V2, PT2000.V2, PT3000.V2**



ITEM	PART NO	PART NO	PART NO	PART NO	DESCRIPTION
1	PT500.V2-01	PT1000.V2-01	PT2000.V2-01	PT3000.V2-01	TWO GEAR CASE ASS'Y
2	PT500.V2-02	PT1000.V2-02	PT2000.V2-02	PT3000.V2-02	DRIVEN WHEEL
3	PT500.V2-03	PT1000.V2-03	PT2000.V2-03	PT3000.V2-03	BEARING
4	PT500.V2-04	PT1000.V2-04	PT2000.V2-04	PT3000.V2-04	RETAINING RING
5	PT500.V2-05	PT1000.V2-05	PT2000.V2-05	PT3000.V2-05	BEARING RING
6	PT500.V2-06	PT1000.V2-06	PT2000.V2-06	PT3000.V2-06	RETAINING RING
7	PT500.V2-07	PT1000.V2-07	PT2000.V2-07	PT3000.V2-07	SPACER WASHER
8	PT500.V2-08	PT1000.V2-08	PT2000.V2-08	PT3000.V2-08	HEX NUT
9	PT500.V2-09	PT1000.V2-09	PT2000.V2-09	PT3000.V2-09	LIFTING RING
10	PT500.V2-10	PT1000.V2-10	PT2000.V2-10	PT3000.V2-10	PIN



Sole UK Distributor, Sealey Group,  
Kempson Way, Suffolk Business Park,  
Bury St. Edmunds, Suffolk,  
IP32 7AR



01284 757500



www.sealey.co.uk



01284 703534



sales@sealey.co.uk