

Thank you for purchasing a Sealey Product. Manufactured to a high standard this product will, if used according to these instructions and properly maintained, give you years of trouble free performance.



IMPORTANT: PLEASE READ THESE INSTRUCTIONS CAREFULLY. NOTE THE SAFE OPERATIONAL REQUIREMENTS, WARNINGS AND CAUTIONS. USE THIS PRODUCT CORRECTLY AND WITH CARE FOR THE PURPOSE FOR WHICH IT IS INTENDED. FAILURE TO DO SO MAY CAUSE DAMAGE AND/OR PERSONAL INJURY, AND WILL INVALIDATE THE WARRANTY. PLEASE KEEP INSTRUCTIONS SAFE FOR FUTURE USE.

1. SAFETY INSTRUCTIONS

- WARNING!** Ensure Health & Safety, local authority, and general workshop practice regulations are adhered to when using this equipment.
- WARNING!** Disconnect from air supply before changing accessories, servicing or maintenance.
- WARNING!** Always wear approved eye or face protection when operating the sander.
- WARNING!** Ensure correct air pressure is maintained and does not exceed 90psi
- WARNING!** DO NOT sand any materials containing asbestos.
- DO NOT use sander for a task it is not designed to perform.
- DO NOT operate if any part is damaged or missing as this may cause failure and/or possible personal injury.
- DO NOT carry the sander by the hose, or yank the hose from the air supply.
- DO NOT get the sander wet or use in damp or wet locations.
- DO NOT use this sander with water. This model is only for dry use.
- DO NOT place attachments close to your face and do not point at other persons or animals.
- DO NOT operate sander if you are tired or under influence of alcohol, drugs or intoxicating medication.
- DO NOT use where there are flammable liquids, solids or gases (paint solvents), waste or wiping rags etc.
- DO NOT leave the sander operating whilst unattended.
- DO NOT carry the sander with your finger or hand on the power lever.
- DO NOT direct air from the air hose at yourself or others.
- Maintain the sander in good condition and replace any damaged or worn parts. *Use genuine parts only. Unauthorised parts may be dangerous and will invalidate the warranty.*
- Use sander in a suitable work area, keep area clean, tidy and free from unrelated materials. Ensure there is adequate lighting.
- Before use check abrasive pads for condition. If worn or damaged replace immediately.
- If dust is generated, use face and or respiratory protection according to COSHH regulations.
- Depending on task, sander noise may exceed 85dB in which case wear safety ear defenders.
- Remove ill fitting clothing. Remove ties, watches, rings, other loose jewellery and contain and/ or tie back long hair. Wear appropriate protective clothing.
- Keep hands and body clear of the sanders working parts.
- Maintain correct balance and footing. Ensure the floor is not slippery and wear non slip shoes.
- Keep children and unauthorised persons away from the working area.
- Ensure workpiece is correctly secured before operating sander. Never hold workpiece by hand.
- Check the workpiece to ensure there are no protruding nails, screws, stones, etc.
- Avoid unintentional starting.
- Keep air hose away from heat, oil and sharp edges. Check air hose for wear before each use, and ensure that all connections are secure.
- When not in use disconnect from the air supply and store in a safe, dry, childproof area.



LEAD PAINT WARNING!

- WARNING!** Paint once contained lead as a traditional ingredient. Contact with the dust from the removal of such paint is toxic and must therefore be avoided. The following action must be taken before using the sander on a surface that you suspect may have contained lead in the paint.
- User must determine potential hazard relating to age of paint to be removed. (Modern paints do not have lead content).
- DANGER!** Keep all persons and pets away from the working area. The following persons are particularly vulnerable to the effects of lead paint dust: *Expectant women, babies, and children.*
- We recommend personal protection by using the following safety items:
 - a) Paint Spray Respirator (Our ref SSP1699)
 - b) PE Coated Hooded Coverall (Our ref SSP265-L).
 - c) Latex Gloves (Our ref SSP24).
- Take adequate measures to contain the paint dust, flakes, and scrapings.
- Continue to wear safety equipment as above, and thoroughly clean all areas when task is complete. Ensure paint waste is disposed of in sealed bags or containers.

2. INTRODUCTION & SPECIFICATIONS

2.1. Introduction

Designed for smart repair and spot refinishing. 90° Handle configuration with double finger trigger allows unit to fit snugly into palm for added control. Rubber finger cover reduces effects of chill. Handle exhaust reduces noise and surface contamination. Fitted with variable speed control. Supplied with selection of 50mm discs and pads with industry standard fitting. Supplied in carry case.

Contents: 50mm Backing Pad; Sanding Discs (10pcs each) - #60, #80, #120grit; 3pcs Surface Preparation Pads (Fine/Medium/Coarse)

2.2 Specification

Free Speed (rpm) 15000
Air Inlet (BSP)+coupling 1/4"

Operating Pressure (psi) 90
Weight (kg) 0.75

Air Consumption (cfm) 4
Pad Size (mm) 50

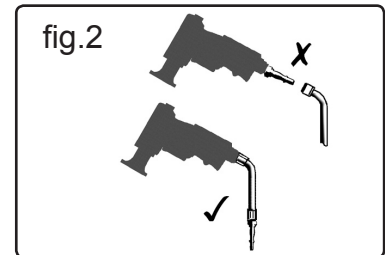
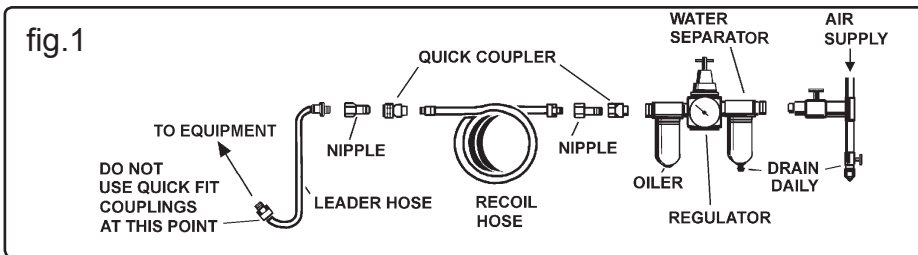
3. AIR SUPPLY CONNECTION

3.1. Air Supply

- **WARNING!** Ensure the air supply is clean and does not exceed 90 psi while operating the sander. Too high an air pressure and unclean air will shorten the product life due to excessive wear, and may be dangerous causing damage and/or personal injury.
- 3.1.1. Ensure sander air valve (or trigger) is in "off" position before connecting to air supply.
- 3.1.2. You will require an air pressure of 90psi, and an air flow according to specification.
- 3.1.3. Drain the air tank daily. Water in the air line will damage the sander.
- 3.1.4. Clean air inlet filter weekly. Recommended hook-up is shown in fig.1.
- 3.1.5. Line pressure should be increased to compensate for unusually long air hoses (over 8 metres). The minimum hose diameter should be 1/4" I.D. and fittings must have the same inside dimensions.
- 3.1.6. Keep hose away from heat, oil and sharp edges. Check hose for wear, and make certain that all connections are secure.

3.2. Couplings

- 3.2.1. Vibration may cause failure if a quick change coupling is connected directly to sander. To overcome this, connect a leader hose to the sander. A quick change coupling may then be used to connect the leader hose to the air line recoil hose. See figs 1 & 2.



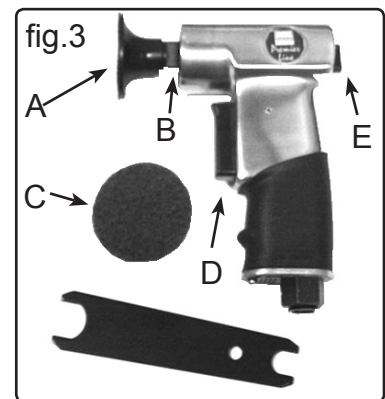
4. OPERATING INSTRUCTIONS



LEAD PAINT WARNING! Ensure you read and comply with the information in Safety section 1. regarding the hazards associated with lead paint.

- 4.1 Ensure the pad (fig.3.A) is securely fitted to the spindle (fig.3.B). Prevent the spindle from turning using the spanner provided and turn the pad clockwise.
- 4.2 Attach the appropriate sanding disc (fig.3.C) to the pad by screwing on clockwise.
- 4.3 Press trigger (fig.3.D) to start the sander.
- 4.4 The air flow may be adjusted by turning control knob (fig.E).

NOTE: The sander is designed for dry use only. DO NOT use with water or any other liquids.



5. MAINTENANCE

- **WARNING!** Disconnect sander from air supply before changing accessories, servicing or performing maintenance. Replace or repair damaged parts. *Use recommended parts only. Unauthorised parts may be dangerous and will invalidate the warranty.*
- 5.1 Clean the sander after use and change pad if required.
- 5.2 Loss of power or erratic action may be due to the following:
 - a) Excessive drain on the air line. Moisture or restriction in the air pipe. Incorrect size or type of hose connectors. To remedy check the air supply and follow instructions in Section 3.
 - b) Grit or gum deposits in the tool may also reduce performance. Flush the tool out with gum solvent oil or an equal mixture of SAE No 10 oil and paraffin. Allow to dry before use.
 - c) If you continue to experience problems, contact your local Sealey service agent.
- 5.3 When not in use, disconnect from air supply, clean the sander and store in its case which should be placed in a safe, dry, childproof location.

Declaration of Conformity

We, the sole importer into the UK, declare that the product listed here is in conformity with the following EEC standards and directives. The construction file for this product is held by the Manufacturer and may be inspected, by a national authority, upon request to Jack Sealey Ltd.

2" Mini Disc Air Sander
MODEL: SA720.V2
98/37/EC Machinery Directive
93/68/EEC Marking Directive



Signed by Mark Sweetman

12th January 2009

For Jack Sealey Ltd. Sole importer into the UK of Sealey Power Tools.

NOTE: It is our policy to continually improve products and as such we reserve the right to alter data, specifications and component parts without prior notice.

IMPORTANT: No liability is accepted for incorrect use of this product.

WARRANTY: Guarantee is 12 months from purchase date, proof of which will be required for any claim.

INFORMATION: For a copy of our catalogue and latest promotions call us on 01284 757525 and leave your full name, address and postcode.



Sole UK Distributor
Sealey Group,
Bury St. Edmunds, Suffolk.

01284 757500
01284 703534

www.sealey.co.uk
sales@sealey.co.uk