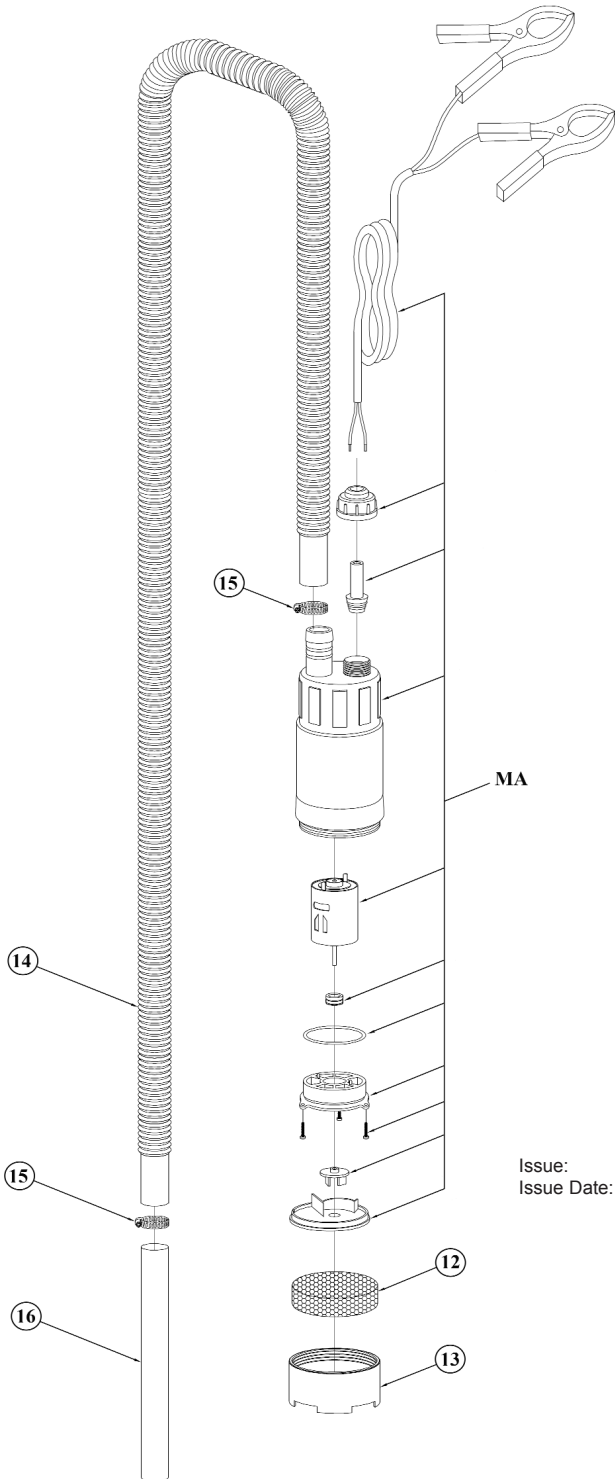




PARTS FOR:
LOW VOLTAGE SUBMERSIBLE TRANSFER PUMP 12V
LOW VOLTAGE SUBMERSIBLE TRANSFER PUMP 24V
MODEL: TP94.V2 AND TP9424.V2



ITEM	PART NO	DESCRIPTION
12	TP94.V2-12	FILTER
13	TP94.V2-13	FRONT COVER
14	TP94.V2-14	HOSE
15	TP94.V2-15	HOSE CLIP
16	TP94.V2-16	STAINLESS STEEL PIPE
MA	TP94.V2-MA	MOTOR ASSEMBLY 12V (TP94.V2 only)
MA	TP9424.V2-MA	MOTOR ASSEMBLY 24V (TP9424.V2 only)

Issue: 1
 Issue Date: 160714

NOTE: It is our policy to continually improve products and as such we reserve the right to alter data, specifications and component parts without prior notice.

IMPORTANT: No liability is accepted for incorrect use of product.

WARRANTY: Guarantee is 12 months from purchase date, proof of which will be required for any claim.

INFORMATION: For a copy of our latest catalogue and promotions call us on 01284 757525 and leave your full name and address, including postcode.



Sole UK Distributor,
 Sealey Group, Kempson Way,
 Suffolk Business Park,
 Bury St Edmunds, Suffolk, IP32 7AR



01284 757500



01284 703534



www.sealey.co.uk



sales@sealey.co.uk