

Thank you for purchasing a Sealey product. Manufactured to a high standard this product will, if used according to these instructions and properly maintained, give you years of trouble free performance.



IMPORTANT: PLEASE READ THESE INSTRUCTIONS CAREFULLY. NOTE THE SAFE OPERATIONAL REQUIREMENTS, WARNINGS AND CAUTIONS. USE THE PRODUCT CORRECTLY AND WITH CARE FOR THE PURPOSE FOR WHICH IT IS INTENDED. FAILURE TO DO SO MAY CAUSE DAMAGE AND/OR PERSONAL INJURY AND WILL INVALIDATE THE WARRANTY. PLEASE KEEP INSTRUCTIONS SAFE FOR FUTURE USE.

1. SAFETY INSTRUCTIONS

- ✓ Lifting crane/hoist should only be used by fully trained personnel.
- ✗ Do not use on drums with removable tops.
- ✗ Do not overload the drum grab - maximum capacity is **350kg**.
- ✓ Only use on firm, level, unobstructed surfaces which are capable of supporting the crane and the grab as well as a fully loaded drum.
- ✗ If using a hoist do not exceed the rated capacity of the hoist.
- ✓ Whilst operating the crane/hoist and drum grab ensure a safe distance from other personnel.
- ✓ This product should not be used for lifting or moving empty drums.
- ✓ When lifting the grab by hand, keep fingers and hands away from the hinged centre of the grab to avoid any scissor action.
- ☐ **Warning!** Failure to comply with these instructions may result in loss of load, damage to crane/hoist and drum grab or other property and/or personal injury.
- ✓ The drum should only be transported over flat level surfaces.
- ✗ Do not use the grab if it has been damaged or has become distorted.

2. INTRODUCTION

Lifts open or closed, loaded, steel drums with the aid of an overhead hoist or mobile crane. Keeps drum in vertical position reducing spillage. Heavy-duty steel construction. Suitable for use with 205ltr drums.

NOTE: Only for use with drums having a permanently fitted top. Do not use on drums with removable tops.

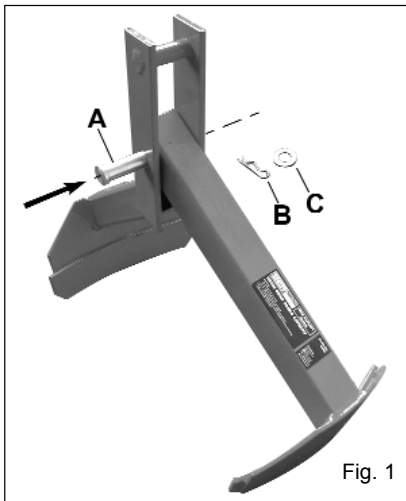


Fig. 1

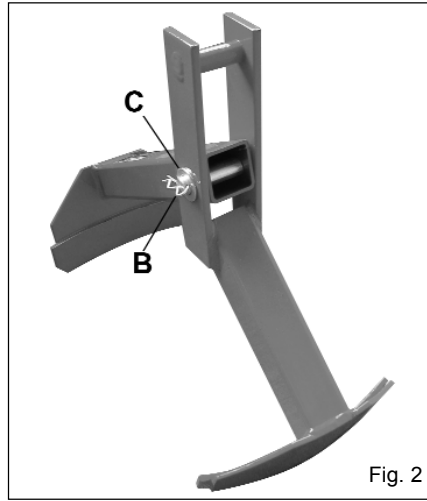


Fig. 2

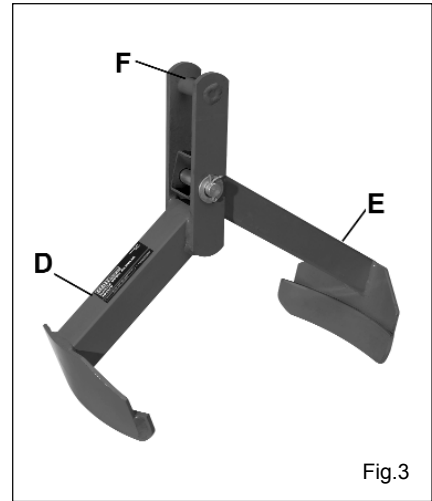


Fig.3

3. ASSEMBLY

- 3.1 Place the two halves of the grab together as shown in fig.1 so that the pivot holes are aligned and slide the pivot pin 'A' through both halves of the grab.
- 3.2 Slide washer 'C' over the end of the protruding pivot pin (See fig.2) and secure the assembly by inserting the retaining clip 'B'.
- 3.3 When the assembled grab is laid down it will tend to fold flat. If the grab is then picked up by hand at the lifting point 'F' (see fig.3) the grab will tend to close up. For this reason it is important to keep your hands away from the central pivot area to avoid any scissor action that could trap your hands or fingers.
- 3.4 When placing the grab onto the top of a drum lift the grab with two hands at points 'D' & 'E' (See fig.3).




4. OPERATION

- 4.1 Lift the drum grab with two hands at points D & E (See fig.3) and lay it flat across the maximum diameter of the drum (See fig.4).
- 4.2 Attach a hoist or crane to the lifting point on the grab and start to lift slowly. As the lifting point rises the grab will start to close. Just before it locks onto the drum, stop lifting and check that the grab is still aligned across the diameter of the drum and that the ridge on each curved lifting plate is underneath the top rim of the drum. (See fig.5)
- 4.3 When satisfied that the grab is correctly positioned continue to lift until the drum leaves the ground.
- 4.4 If the drum is to be transported (See fig.6) do this with the drum in the lowest position. The drum should only be transported over flat level surfaces.
- 4.5 When lowering the drum ensure that the surface on to which it is lowered is flat and smooth and free from obstructions.
- 4.6 When removing the grab from the lifting hook keep hands and fingers away from the hinged centre area of the grab.

5. STORAGE AND MAINTENANCE

- 5.1. Occasionally lubricate the central hinge.




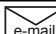

DECLARATION OF INCORPORATION	
<p>MODEL NO.</p> <p style="text-align: center;">DG01</p>	<p>COMPANY</p> <p style="text-align: center;">For Jack Sealey Ltd. Sole importer into the UK of Sealey Power Products.</p>
<p>PRODUCT DESCRIPTION</p> <p style="text-align: center;">DRUM GRAB 350KG CAPACITY</p>	<p>SIGNATURE</p> <p style="text-align: center;"></p>
<p>This equipment must not be used with any crane or hoist which does not comply with directive 98/37/EC</p>	<p>NAME & DATE</p> <p style="text-align: center;">Signed by Mark Sweetman 1st August 2006</p>

NOTE: It is our policy to continually improve products and as such we reserve the right to alter data, specifications and component parts without prior notice.

IMPORTANT: No liability is accepted for incorrect use of product.

WARRANTY: Guarantee is 12 months from purchase date, proof of which will be required for any claim.

INFORMATION: For a copy of our latest catalogue and promotions call us on 01284 757525 and leave your full name and address, including your postcode.

	<p>Sole UK Distributor, Sealey Group, Bury St. Edmunds, Suffolk.</p>
 01284 757500	 01284 703534
 sales@sealey.co.uk	 www.sealey.co.uk