

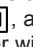
Thank you for purchasing a Sealey product. Manufactured to a high standard this product will, if used according to these instructions and properly maintained, give you years of trouble free performance.

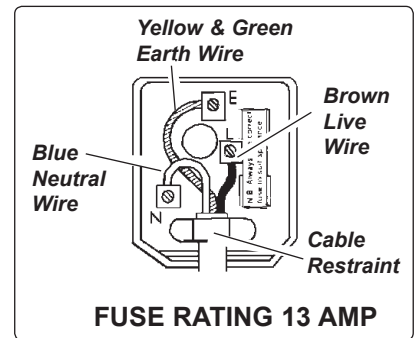


IMPORTANT: PLEASE READ THESE INSTRUCTIONS CAREFULLY. NOTE THE SAFE OPERATIONAL REQUIREMENTS, WARNINGS AND CAUTIONS. USE THE PRODUCT CORRECTLY AND WITH CARE FOR THE PURPOSE FOR WHICH IT IS INTENDED. FAILURE TO DO SO MAY CAUSE DAMAGE AND/OR PERSONAL INJURY AND WILL INVALIDATE THE WARRANTY. PLEASE KEEP INSTRUCTIONS SAFE FOR FUTURE USE.

1. SAFETY INSTRUCTIONS

1.1. ELECTRICAL SAFETY

- ☐ **WARNING!** It is the responsibility of the owner and the operator to read, understand and comply with the following: You must check all electrical products, before use, to ensure that they are safe. You must inspect power cables, plugs, sockets and any other connectors for wear or damage. You must ensure that the risk of electric shock is minimised by the installation of appropriate safety devices. A Residual Current Circuit Breaker (RCCB) should be incorporated in the main distribution board. We also recommend that a Residual Current Device (RCD) is used. It is particularly important to use an RCD with portable products that are plugged into a supply which is not protected by an RCCB. If in any doubt consult a qualified electrician. You may obtain a Residual Current Device by contacting your Sealey dealer. You must also read and understand the following instructions concerning electrical safety.
 - 1.1.1. The **Electricity at Work Act 1989** requires all portable electrical appliances, if used on business premises, to be tested by a qualified electrician, using a Portable Appliance Tester (PAT), at least once a year.
 - 1.1.2. The **Health & Safety at Work Act 1974** makes owners of electrical appliances responsible for the safe condition of those appliances and the safety of the appliance operators. **If in any doubt about electrical safety, contact a qualified electrician.**
 - 1.1.3. Ensure that the insulation on all cables and on the appliance is safe before connecting it to the power supply. See 1.1.1. and 1.1.2. and use a Portable Appliance Tester.
 - 1.1.4. Ensure that cables are always protected against short circuit and overload.
 - 1.1.5. Regularly inspect power supply cables and plugs for wear or damage and check all connections to ensure that none is loose.
 - 1.1.6. **Important:** Ensure that the voltage marked on the appliance matches the power supply to be used and that the plug is fitted with the correct fuse - see fuse rating at right.
 - 1.1.7. **DO NOT** pull or carry the appliance by the power cable.
 - 1.1.8. **DO NOT** pull the plug from the socket by the cable.
 - 1.1.9. **DO NOT** use worn or damaged cables, plugs or connectors. Immediately have any faulty item repaired or replaced by a qualified electrician. When an ASTA/BS approved UK 3 pin plug is damaged, cut the cable just above the plug and dispose of the plug safely. Fit a new plug according to the following instructions (UK only).
 - a) **Connect the GREEN/YELLOW earth wire to the earth terminal 'E'.**
 - b) **Connect the BROWN live wire to the live terminal 'L'.**
 - c) **Connect the BLUE neutral wire to the neutral terminal 'N'.**
 - d) **After wiring, check that there are no bare wires, that all wires have been correctly connected, that the cable outer insulation extends beyond the cable restraint and that the restraint is tight.**
 Double insulated products, which are always marked with this symbol , are fitted with live (brown) and neutral (blue) wires only. To rewire, connect the wires as indicated above - **DO NOT** connect either wire to the earth terminal.
 - 1.1.10. Products which require more than 13 amps are supplied without a plug. In this case you must contact a qualified electrician to ensure that a suitably rated supply is available. We recommend that you discuss the installation of an industrial round pin plug and socket with your electrician.
 - 1.1.11. If an extension reel is used it should be fully unwound before connection. A reel with an RCD fitted is preferred since any appliance plugged into it will be protected. The cable core section is important and should be at least 1.5mm², but to be absolutely sure that the capacity of the reel is suitable for this product and for others which may be used in the other output sockets, we recommend the use of 2.5mm² section cable. If extension reel is to be used outdoors, ensure it is marked for outdoor use.



1.2 GENERAL SAFETY

- ✓ Disconnect the cleaner from the power supply before servicing, changing accessories, or performing any maintenance.
- ✓ Use only genuine parts and accessories. *Unauthorised parts and accessories may be dangerous and will invalidate your warranty.*
- ✓ Maintain the cleaner in good condition. *Use an authorised agent for servicing. Keep machine clean, but DO NOT use solvents.*
- ✗ **DO NOT** operate the unit without a filter in place as this will cause machine faults and will invalidate your warranty.
- ✓ Use only the paper cartridge filter specified for dry vacuuming.
- ✓ Use only the cloth filter specified for wet vacuuming.
- ✓ Wear protective clothing and gloves.
- ✗ **DO NOT** allow children or untrained persons to operate the cleaner.
- ✗ **DO NOT** place attachments close to your face (especially eyes, ears).
- ✗ **DO NOT** point the hose end at other persons or animals.
- ▲ **DANGER! DO NOT vacuum very fine powders, hot or glowing ash, inflammable, explosive, corrosive or other dangerous substances.**
- ✗ **DO NOT** leave the machine running unattended, turn power supply OFF.
- ✗ **DO NOT** leave the vicinity until motor has come to a complete stop.
- ✗ **DO NOT** operate the cleaner when you are tired or under the influence of alcohol, drugs or intoxicating medication.
- ✗ **DO NOT** use the cleaner in the rain or in very damp conditions.
- ✗ **DO NOT** use the cleaner for a task it is not designed to perform.
- ✗ **DO NOT** tilt or drop the cleaner.
- ✗ **DO NOT** place the cleaner close to a heat source.
- ✓ When not in use, store the cleaner in a safe, dry, childproof location.



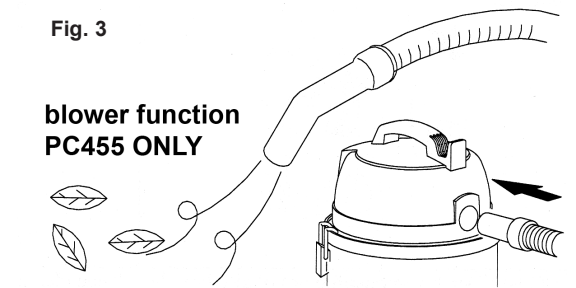
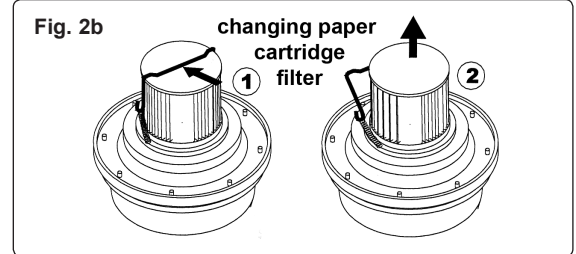
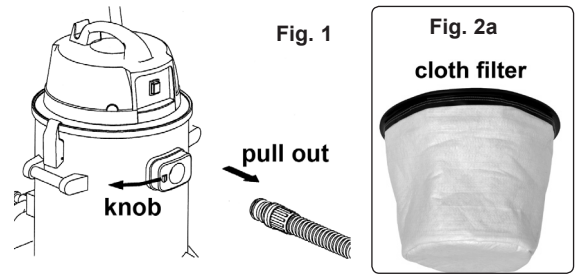
2. INTRODUCTION AND SPECIFICATIONS

2.1 Introduction

High powered, lightweight industrial units. Stainless steel drum with dual filtration system for superior performance. Features safety shut-off for wet operation. Trolleys with swivel bin and two rear locking wheels for easy emptying plus front swivel castors for added manoeuvrability. Foot operation for squeegee adjustment. Supplied with Ø38mm accessory kit, 3.2mtr cable with 3 pin plug, cloth and cartridge filters. PC477 is fitted with twin motors offering superior vacuuming power to collect any type of solid from dust to rubble and is particularly suitable for industrial and commercial applications where extra capacity and power are required to clean large areas or large volumes of waste. PC455 features blower facility. Optional front mounting squeegee available, as illustrated in fig.9.

2.2 Specifications

Model No	PC455.....	PC477
Motor Power	1050W.....	2400W
Supply	230V.....	230V
Air Flow	132m ³ /hr.....	174m ³ /hr
Drum Size	55ltr.....	77ltr
Weight.....	28kg.....	39kg
Vacuum Accessories Ø.....	38mm.....	38mm
Filter Type	Paper, Cloth.....	Paper, Cloth
Replacement Paper Filter.....	PC455.PF.....	PC477.PF
Replacement Cloth Filter Basket.....	PC455.CF.....	PC477.CF
Optional Squeegee	PC455AK1.....	PC477AK1
Overall Squeegee Length.....	670mm.....	670mm



3. ASSEMBLY

3.1 Hose Installation. Fig. 1.

- 3.1.1 Fully insert the hose into the suction coupler on the main drum. It will automatically snap into place.
- 3.1.2 To release the hose, slide the release knob in the direction of the arrow and pull the hose out of the suction coupler.

3.2 Filter Removal. Fig. 2a/2b

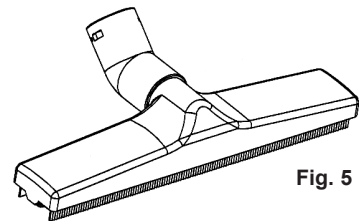
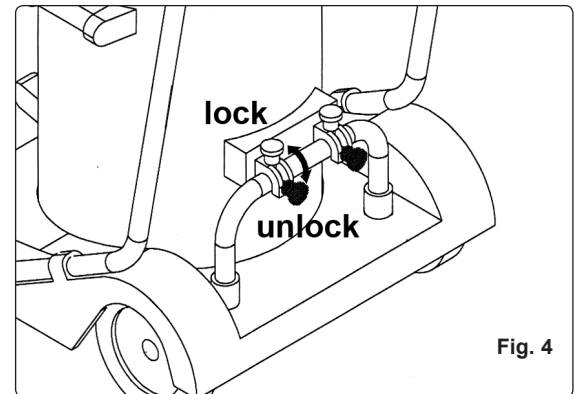
- 3.2.1 To access the filter, unclip and remove the upper part of the cleaner from the metal tank.
- 3.2.2 To change the paper cartridge filter push the retaining clip in the direction of the arrow (fig.2b) and remove the filter from the motor unit.
- 3.2.3 For wet vacuuming remove the paper cartridge filter and install the fabric filter over the filter basket. The filter basket (fig.2a) sits in the top of the drum and is held in place when the upper part of the vacuum cleaner is clipped onto the tank.

3.3 Blower Function. Fig. 3. (PC455 only)

- 3.3.1 Connect the hose to the air vent on top of the vacuum cleaner.
- 3.3.2 Turn the power supply switch to ON.

3.4 Locking and Unlocking the Tank. Fig. 4.

- 3.4.1 Lock the tank to the frame support by pushing the knobs DOWN.
- 3.4.2 Unlock the tank from the frame support by pushing the knobs UP.
- 3.4.3 When the tank is unlocked it can be lifted from the frame.
- 3.4.4 The tank must only be tipped for emptying in the locked position. See fig.13.



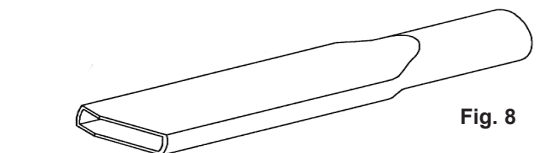
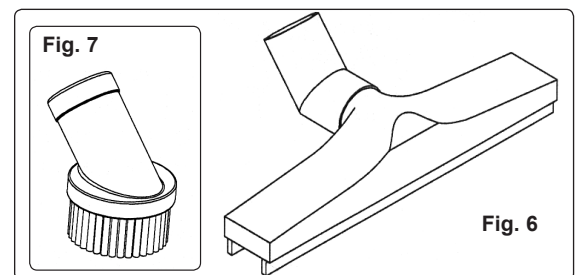
4. OPERATION

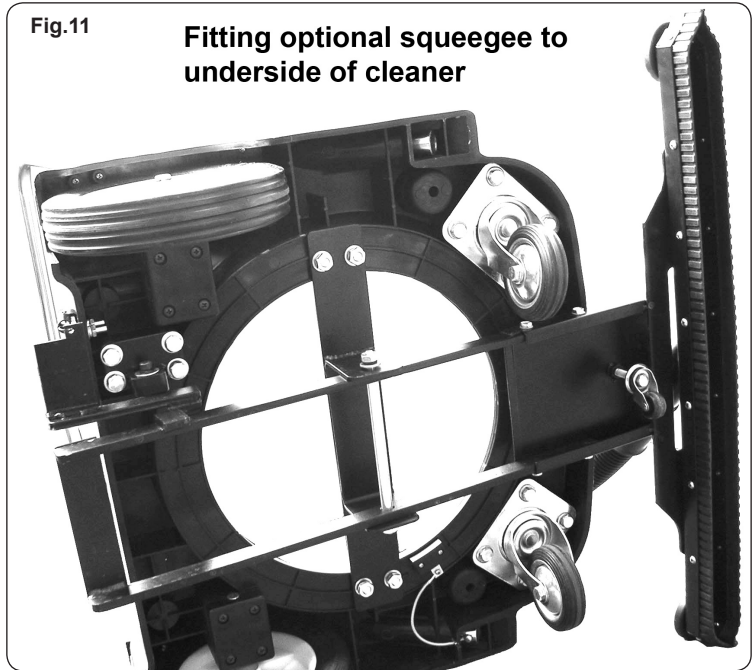
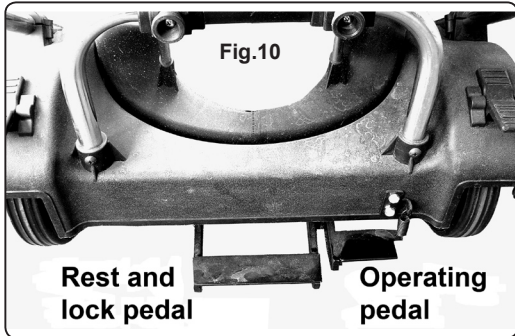
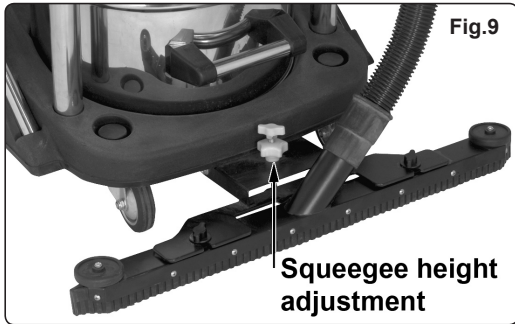
4.1 Nozzles

- 4.1.1 The brush nozzle is used on large, dry areas such as a floor or a bed. Refer to Fig. 5.
- 4.1.2 The squeegee nozzle is used on water, cement or other non-volatile substances. Refer to Fig. 6.
- 4.1.3 The round brush is used on small areas such as a sofa, window or the corner of a floor. Refer to Fig. 7.
- 4.1.4 The crevice tool is used on narrow grooves or windows. Refer to Fig. 8.

4.2 Optional Squeegee. Figs. 9, 10 and 11.

- 4.2.1 The optional squeegee should be attached to the underside of the vacuum cleaner as shown in Fig. 11.
- 4.2.2 Depress the operating pedal. The squeegee will drop on to the surface to be cleaned. Refer to Fig. 10.
- 4.2.3 If necessary, adjust the height of the squeegee using the butterfly nut at the front of the cleaner. This sets the height of the front guide wheel. Refer to Fig. 9.
- 4.2.4 With the squeegee in contact with the surface to be cleaned, lock the guide in position.
- 4.2.5 Operate the squeegee by pushing the vacuum cleaner across the area to be cleaned.
- 4.2.6 When cleaning is completed, raise and lock the squeegee by depressing the rest and lock pedal.





5. CLEANING AND MAINTENANCE

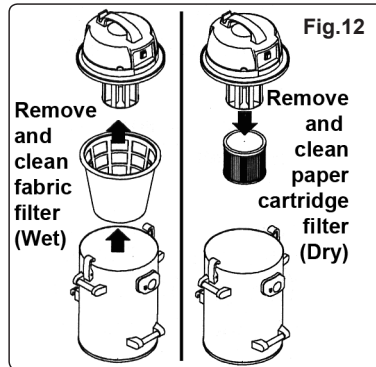
5.1 Cleaning

NOTE: If the suction is weak, remove the paper or fabric filter and remove the dust by hand-patting the filter.

- 5.1.1 Remove the vacuum cleaner head to access the filter. Refer to Fig. 12.
- 5.1.2 Remove all dust on the filter. Clean and if necessary air-dry the filter for further use.

5.2 Emptying the Tank

- 5.2.1 Position the cleaner next to a suitable container or drain. Lock tank onto frame as shown in fig.4. Put the rear wheel locks on. Hold the frame handle with one hand and lift the tank to the emptying position using the tank handle. Refer to Fig. 13.



6. TROUBLESHOOTING

Cleaner will not operate.	No power supply. Faulty power cable, switch or motor. Container full of liquid.	Check supply. Check and repair or replace faulty item. Empty container.
Dust comes from the motor cover.	Filter missing or damaged.	Fit or replace.
Reduced efficiency and increased motor speed/vibration.	Filter clogged. Nozzle, hose or bin inlet blocked.	Replace or clean filter. Check nozzle, hose and bin inlet for blockage.

7. DECLARATION OF CONFORMITY

Declaration of Conformity We, the sole UK importer, declare that the products listed below are in conformity with the following standards and directives.

The construction files for these products are held by the Manufacturer and may be inspected on request, by a national authority, to Jack Sealey Ltd.

Vacuum Cleaners Models: PC455, PC477
73/23/EEC Low Voltage Directive
89/336/EEC EMC Directive
98/37/EC Machinery Directive
93/68/EEC Marking Directive



Signed by Steve Buckle

17th August 2009

For Jack Sealey Ltd. Sole UK importer of Sealey Quality Machinery.

NOTE: It is our policy to continually improve products and as such we reserve the right to alter data, specifications and component parts without prior notice.

IMPORTANT: No liability is accepted for incorrect use of this product.

WARRANTY: Guarantee is 12 months from purchase date, proof of which will be required for any claim.

INFORMATION: For a copy of our catalogue and latest promotions call us on 01284 757525 and leave your full name, address and postcode.



Sole UK Distributor
Sealey Group,
Bury St. Edmunds, Suffolk.

01284 757500
01284 703534

www.sealey.co.uk
sales@sealey.co.uk